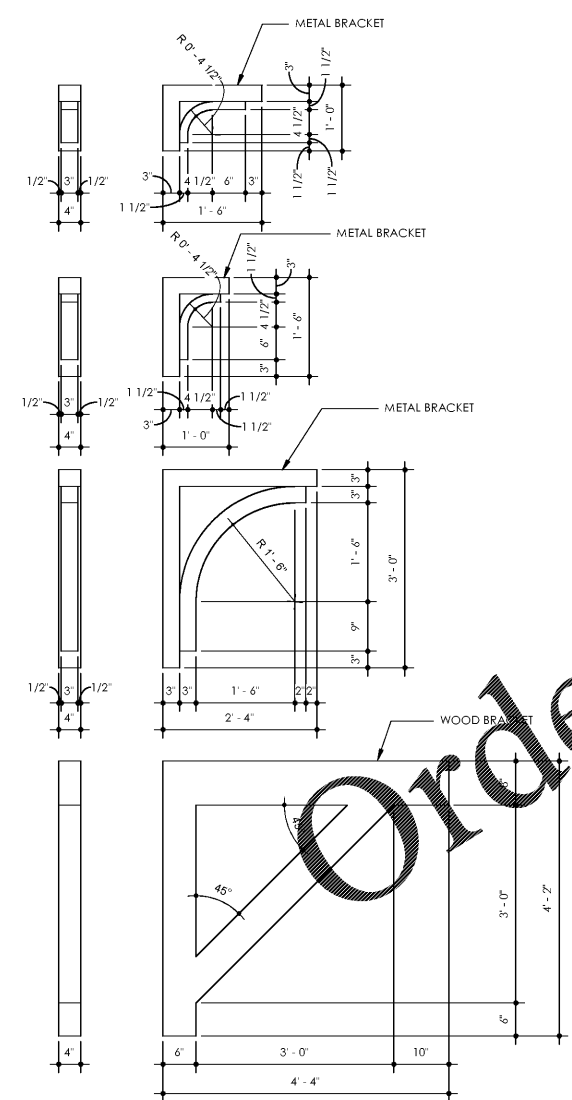
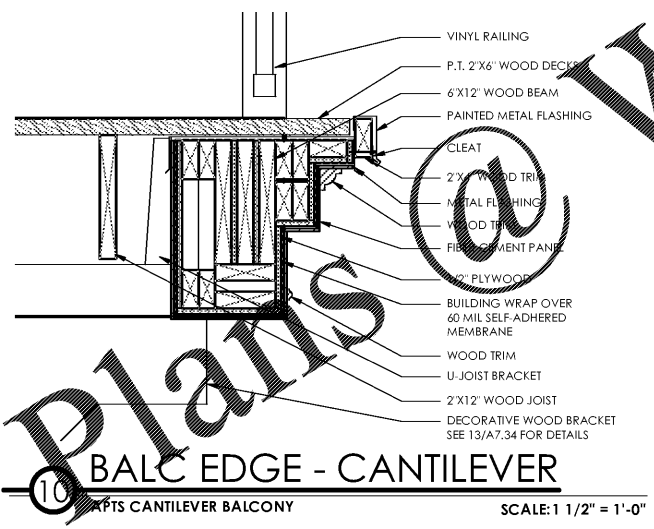


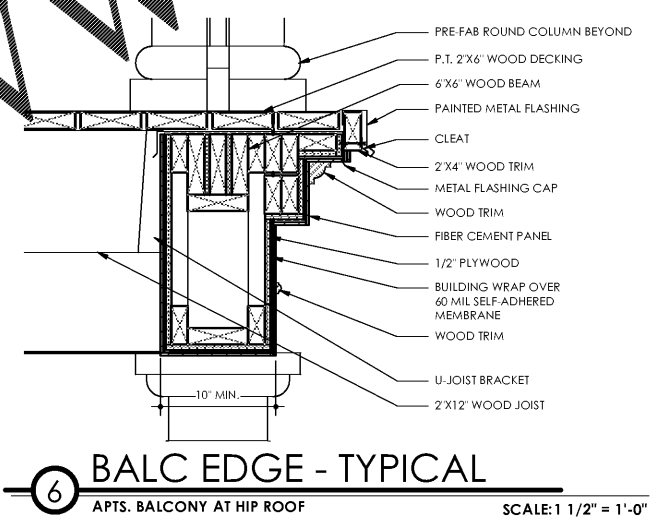
6/21/2019 2:11:05 PM C:\CELK Custom\Revit Projects\378915_ARCH\NORTON COMMONS_ARCH\378915_ARCH.dwg (378915_ARCH.dwg) (378915_ARCH.dwg) (378915_ARCH.dwg)



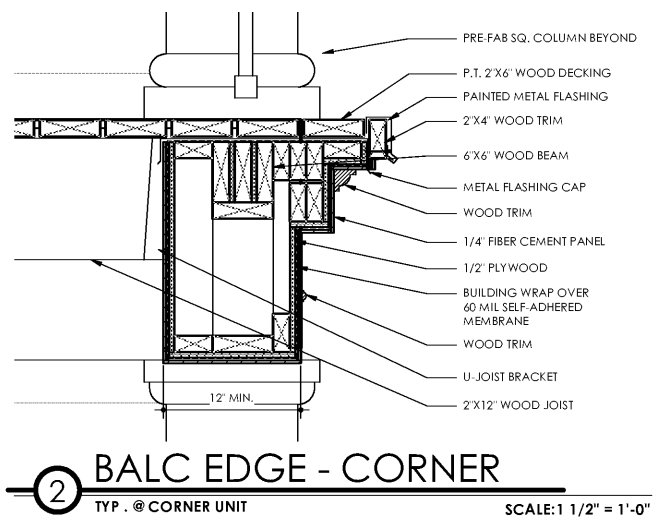
13 **DETAIL - BRACKETS**
SCALE: 3/4" = 1'-0"



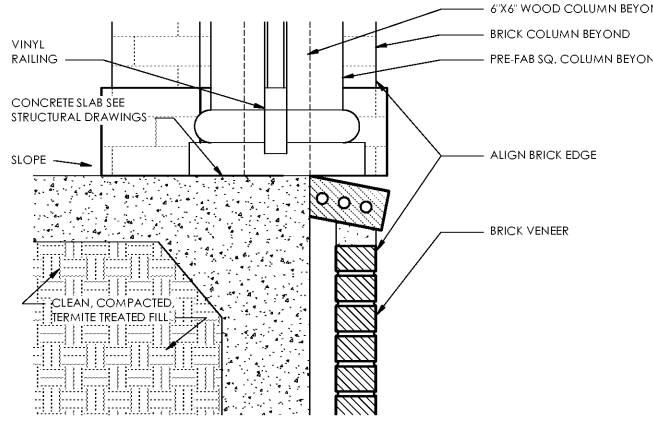
10 **BALC EDGE - CANTILEVER**
APTS. CANTILEVER BALCONY
SCALE: 1 1/2" = 1'-0"



6 **BALC EDGE - TYPICAL**
APTS. BALCONY AT HIP ROOF
SCALE: 1 1/2" = 1'-0"

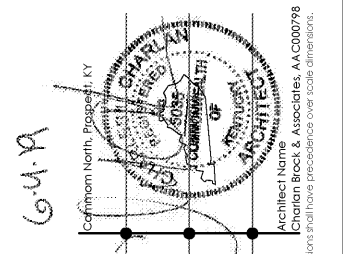


2 **BALC EDGE - CORNER**
TYP. @ CORNER UNIT
SCALE: 1 1/2" = 1'-0"



5 **BALC EDGE - BRICK BASE**
APTS. BALCONY AT HIP ROOF
SCALE: 1 1/2" = 1'-0"

WWW.LDILine.com



6-4-19
Common North, Prospect, KY

Lyric at Norton Commons
Prospect, Kentucky
Bristol Development Group
381 Mallory Station Rd, Suite 204
Franklin, TN 37067

charlan • brock
associates
architects • planners
1770 fennell street
maitland florida 32751-7208
407.660.8900 f:407.875.9948
www.cbarchitects.com

ARCHITECTURAL
BALCONY DETAILS

date: 06/04/2019
job no: 3789.15
drawn by: EGR JAC, TQT
reviewed by: CBA
issue history:
Δ Date

A7.34

charlan, brock & associates, inc. hereby reserves its common law copyright and other proprietary rights in these plans, ideas, and designs. these ideas, designs, and plans are not to be reproduced, changed or copied in any form or manner whatsoever, nor are they to be assigned to any third party, without first obtaining the express written permission from c.b.a. inc. written dimensions shall have precedence over scale dimensions.