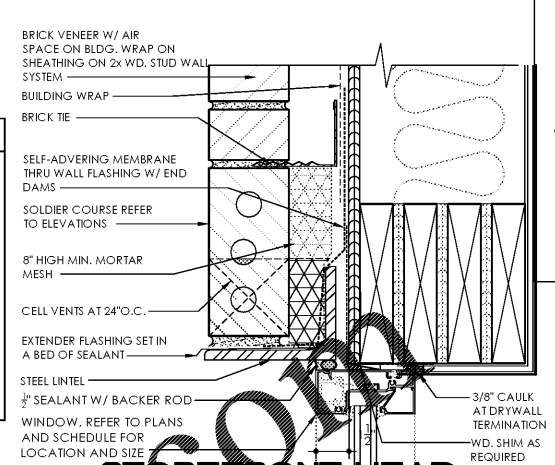


WOODBRIDGE, JUNE 05, 2018
 P:\3789 - HEBRON COMMONS NORTH - VILLAGE DEVELOPMENT\A7.23 - CAD SHEETS\A7.23 - CAD SHEETS\A7.23.dwg
 13
 HEBRON COMMONS NORTH - VILLAGE DEVELOPMENT
 13
 HEBRON COMMONS NORTH - VILLAGE DEVELOPMENT
 13
 HEBRON COMMONS NORTH - VILLAGE DEVELOPMENT

Order Plans

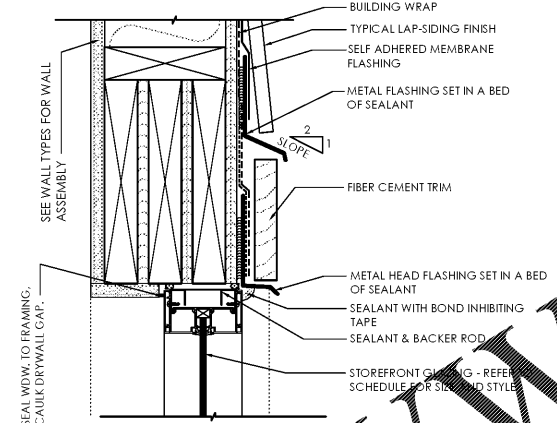
WWW.ONLINE.COM

- ### DOOR AND WINDOW GENERAL NOTES
- CONTRACTOR TO FOLLOW INSTALLATION RECOMMENDATIONS FROM MANUFACTURER FOR EACH COMPONENT. ANY DEVIATIONS SHALL BE SUBMITTED FOR REVIEW BY ARCHITECT.
 - DETAILS ON THIS SHEET ARE SHOWN FOR FINISH TRIMMING AND FINISH MATERIALS ONLY. REFER TO SHEET A7.20 FOR WINDOW INSTALLATION DETAILS INCLUDING BUILDING WRAP, SELF-ADHERING MEMBRANE FLASHING, AND SEALANTS REQUIRED. REFER TO WALL TYPES ON A5.00-SERIES SHEETS FOR WALL BUILD UP REQUIREMENTS.
 - SPACE BETWEEN COMPONENTS SHOWN EXPANDED AND/OR EXAGGERATED FOR CLARITY. DRAWINGS SHALL NOT BE SCALED.
 - PRIME ALL AREAS WHERE SELF-ADHERING MEMBRANE FLASHING IS APPLIED DIRECTLY OVER EXTERIOR SHEATHING.
 - SEALANT AT ALL JOINTS BETWEEN TRIM SYSTEM AND WALL FINISH.
 - PROVIDE METAL FLASHING AT ENTIRE PERIMETER OF STOREFRONT SYSTEMS.

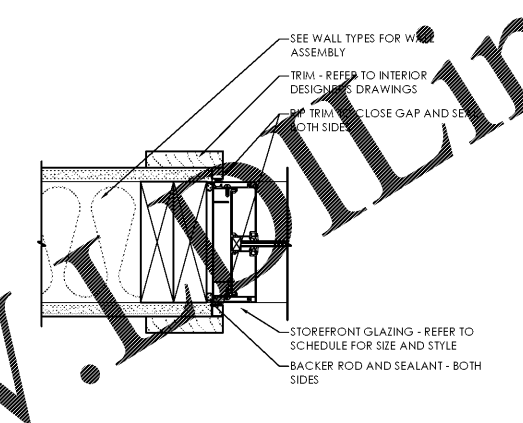


8 GENERAL NOTES
TYPICAL AT ALL PROJECT OPENINGS
SCALE: 3\"/>

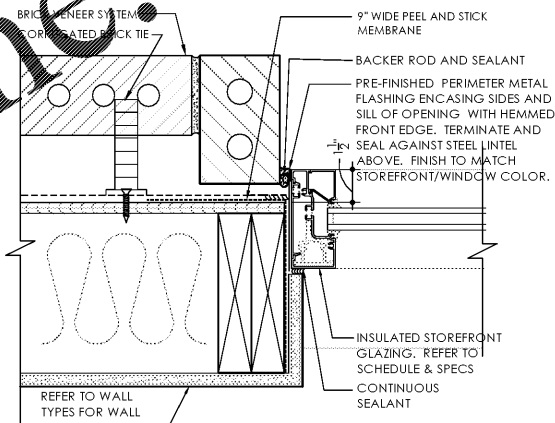
4 STOREFRONT HEAD AT BRICK
SCALE: 3\"/>



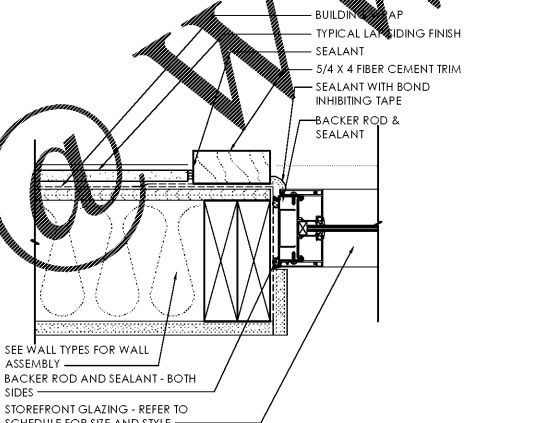
11 STOREFRONT HEAD LAP SIDING
SCALE: 3\"/>



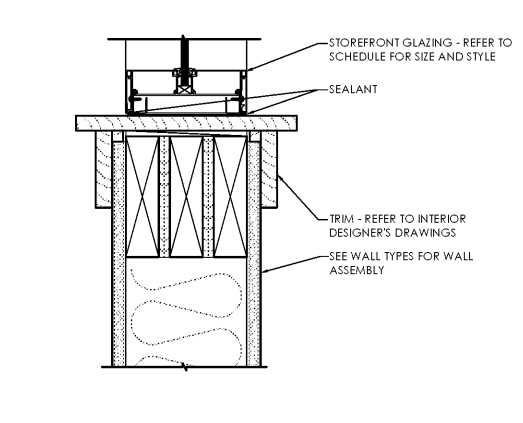
7 INT. GLAZING JAMB AT CLUB INTERIOR (1-HR RATING - TYP)
SCALE: 3\"/>



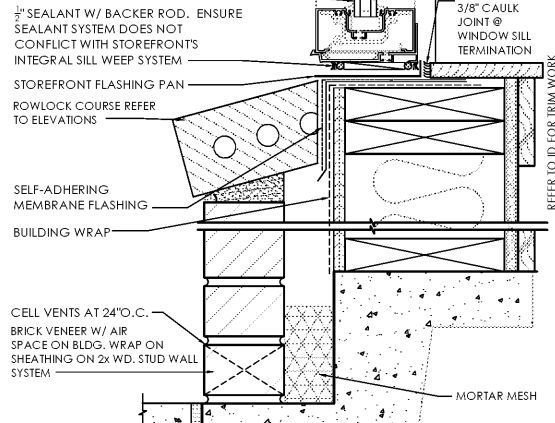
3 STOREFRONT JAMB AT BRICK
SCALE: 3\"/>



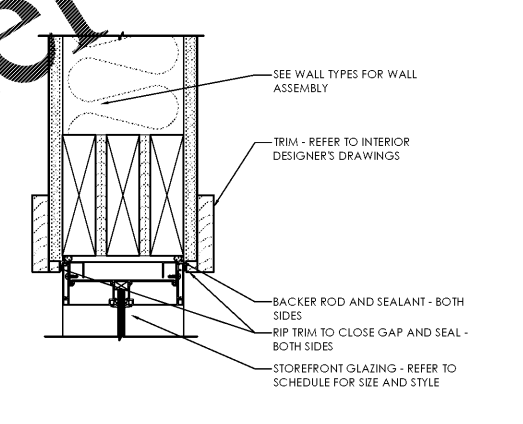
10 STOREFRONT JAMB LAP SIDING
SCALE: 3\"/>



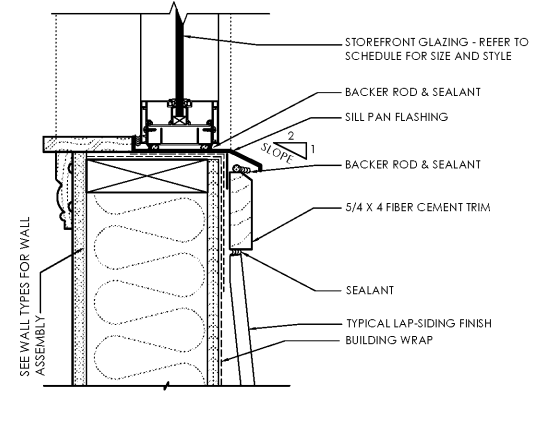
6 INT. GLAZING SILL
SCALE: 3\"/>



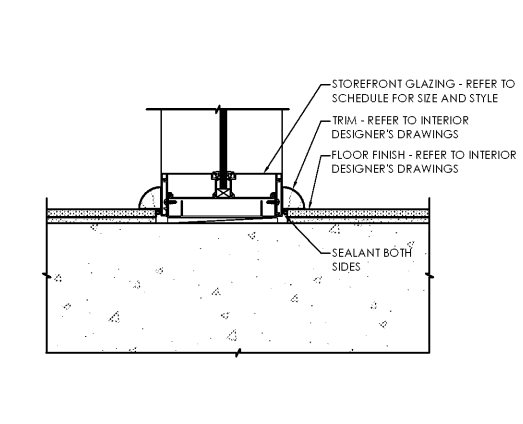
2 STOREFRONT SILL AT BRICK
SCALE: 3\"/>



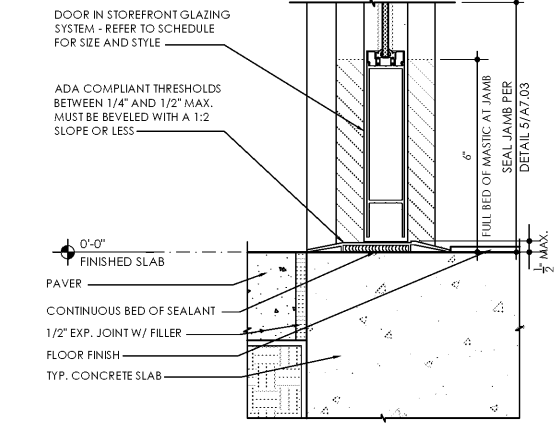
13 INT. GLAZING HEAD AT CLUB INTERIOR (1-HR RATING - TYP)
SCALE: 3\"/>



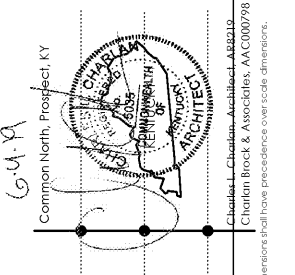
9 STOREFRONT SILL LAP SIDING
SCALE: 3\"/>



5 INT. GLAZING SILL AT CLUB INTERIOR
SCALE: 3\"/>



1 THRESHOLD DTL. STOREFRONT AT CLUB
SCALE: 3\"/>



Lyric at Norton Commons
 Prospect, Kentucky
 Bristol Development Group
 381 Malory Station Rd, Suite 204
 Franklin, TN 37067

charlan • brock
 associates
 architects planners
 1770 fennell street
 maitland florida 32751-7208
 407.660.8900 f: 407.875.8948
 www.cbaarchitects.com

STOREFRONT
 DETAILS
 date: 06-04-2019
 job no: 3789.15
 drawn by: JHB
 reviewed by: CBA
 file: 3789-A7.23
 issue history:

A7.23

Charlan Brock & Associates, Inc. hereby reserves its common law copyright and other proprietary rights in these plans, ideas, and designs. These ideas, designs, and plans are not to be reproduced, changed or copied in any form or manner whatsoever, nor are they to be assigned to any third party, without first obtaining the express written permission from c.b.a., inc. written dimensions shall have precedence over scale dimensions.