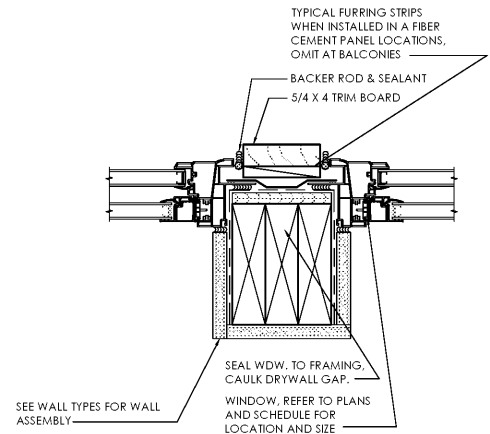
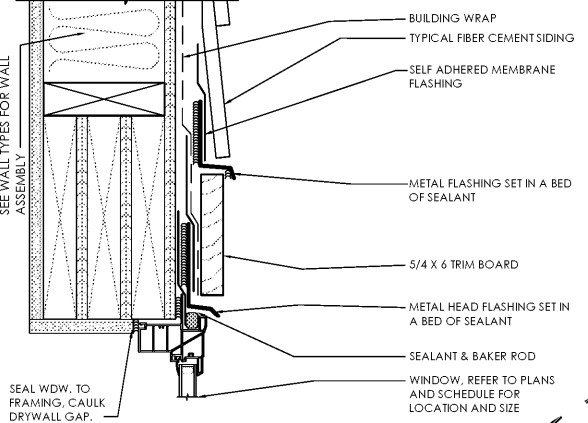


COMMON NORTH, PROSPECT, KY
BRISTOL DEVELOPMENT GROUP
381 MALBY STATION RD, SUITE 204
FRANKLIN, TN 37067

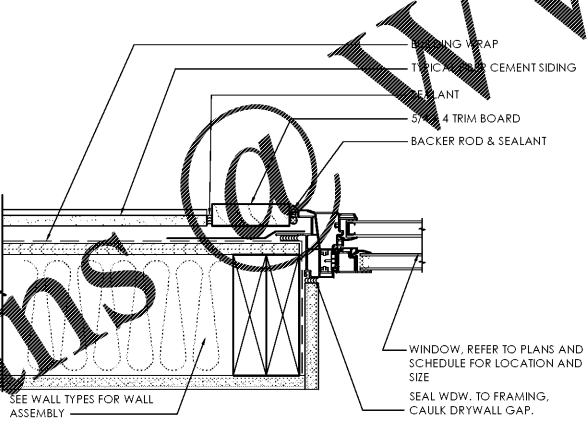
Order Plans @ www.wndline.com



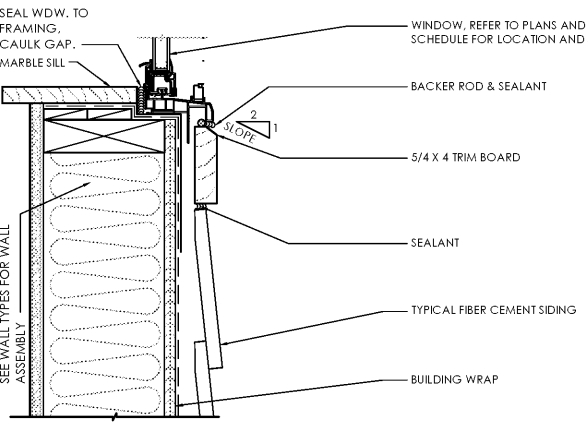
12 JAMB DETAIL
WINDOW TO WINDOW - COURTYARD WINDOWS ONLY SCALE: 3'-1"-0"



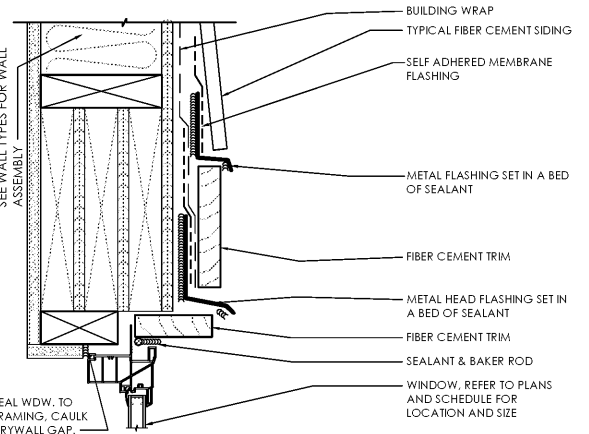
11 HEAD DETAIL
LAP SIDING - COURTYARD WINDOWS ONLY SCALE: 3'-1"-0"



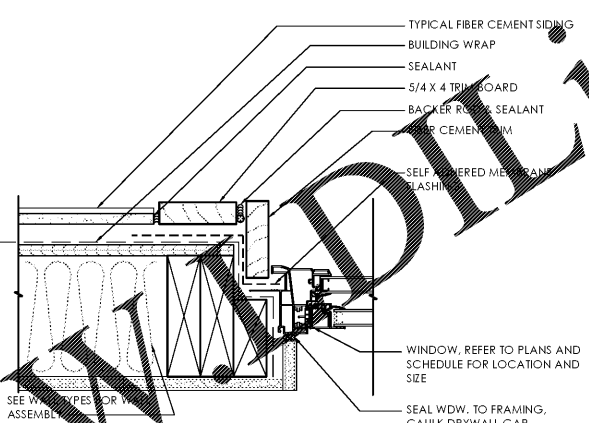
10 JAMB DETAIL
LAP SIDING - COURTYARD WINDOWS ONLY SCALE: 3'-1"-0"



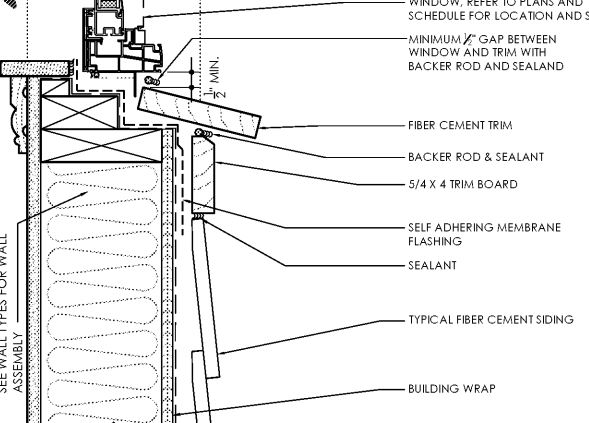
9 SILL DETAIL
LAP SIDING - COURTYARD WINDOWS ONLY SCALE: 3'-1"-0"



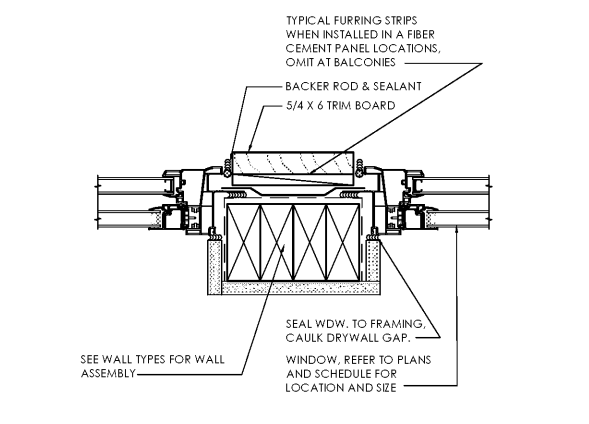
8 HEAD DETAIL
LAP SIDING - RECESSED LOCATIONS SCALE: 3'-1"-0"



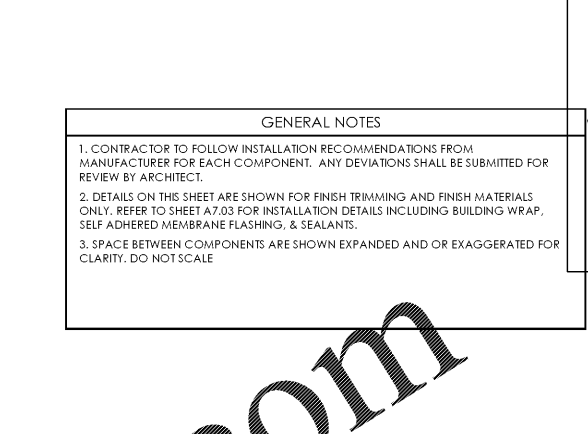
7 JAMB DETAIL
LAP SIDING - RECESSED LOCATIONS SCALE: 3'-1"-0"



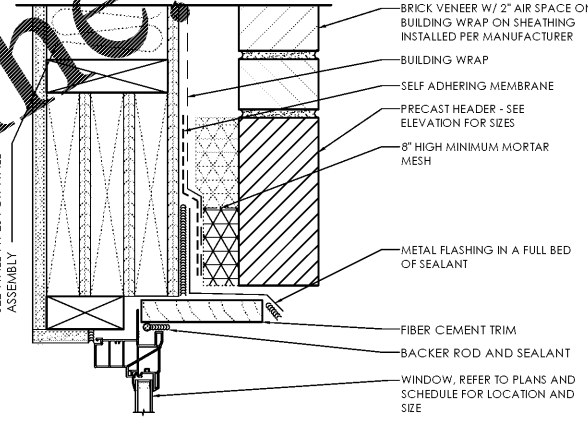
6 SILL DETAIL
LAP SIDING - RECESSED LOCATIONS SCALE: 3'-1"-0"



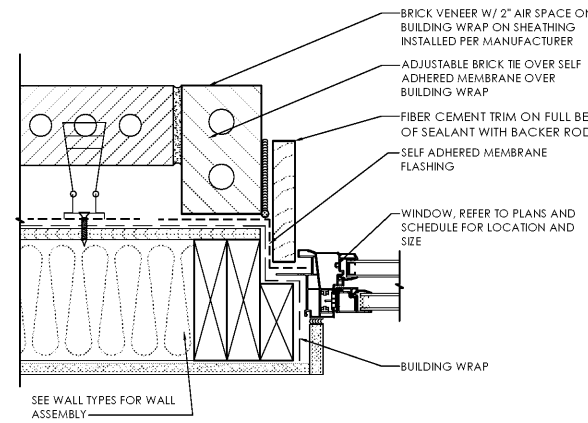
5 JAMB DETAIL
WINDOW TO WINDOW - RECESSED LOCATIONS SCALE: 3'-1"-0"



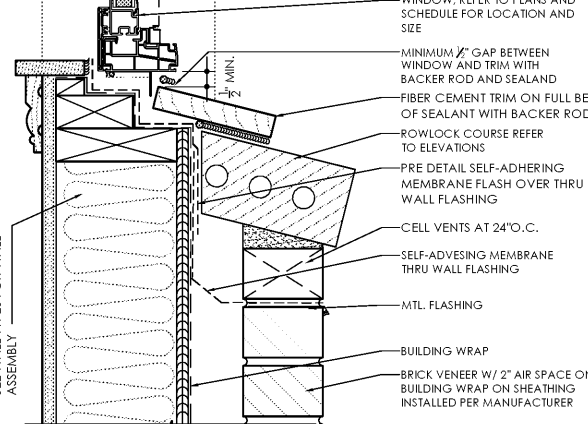
4 GENERAL NOTES
N.T.S.



3 HEAD DETAIL
BRICK - RECESSED LOCATIONS SCALE: 3'-1"-0"



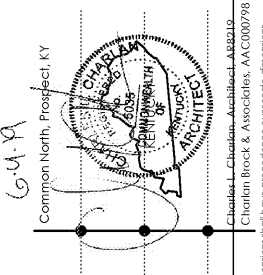
2 JAMB DETAIL
BRICK - RECESSED LOCATIONS SCALE: 3'-1"-0"



1 SILL DETAIL
BRICK - RECESSED LOCATIONS SCALE: 3'-1"-0"

GENERAL NOTES

1. CONTRACTOR TO FOLLOW INSTALLATION RECOMMENDATIONS FROM MANUFACTURER FOR EACH COMPONENT. ANY DEVIATIONS SHALL BE SUBMITTED FOR REVIEW BY ARCHITECT.
2. DETAILS ON THIS SHEET ARE SHOWN FOR FINISH TRIMMING AND FINISH MATERIALS ONLY. REFER TO SHEET A7.03 FOR INSTALLATION DETAILS INCLUDING BUILDING WRAP, SELF ADHERED MEMBRANE FLASHING, & SEALANTS.
3. SPACE BETWEEN COMPONENTS ARE SHOWN EXPANDED AND OR EXAGGERATED FOR CLARITY. DO NOT SCALE



Lyric at Norton Commons
Prospect, Kentucky

Bristol Development Group
381 Malby Station Rd, Suite 204
Franklin, TN 37067

cba
charlan • brock
associates

architects planners

1770 fennell street
maimland florida 32751-7208
407.660.8900 f: 407.875.8948
www.cbaarchitects.com

TYPICAL
WINDOW
DETAILS

date: 06-04-2019
job no: 3789.15
drawn by: JHB
reviewed by: CBA
file: 3789-A7.21
issue history:

A7.21

Charlan Brock & Associates, Architects, located in Prospect, KY, is a registered professional architect. The seal is a circular emblem with the text 'Charlan Brock & Associates, Architects' and 'Prospect, KY' around the perimeter. The seal number is 'A0000798'. The text 'Charlan Brock & Associates, Architects' is also printed vertically on the right side of the page.