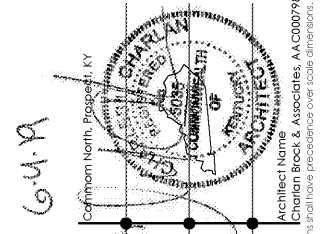
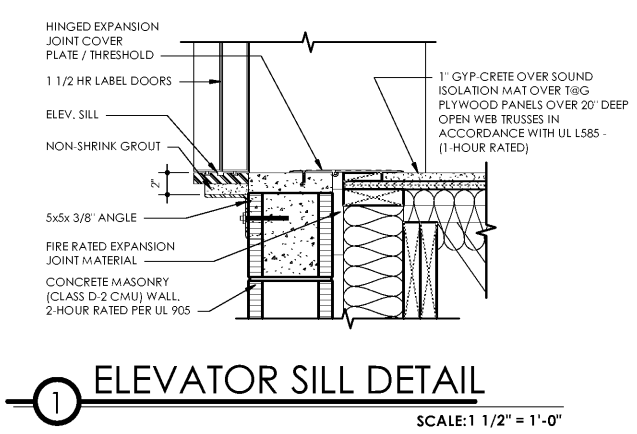
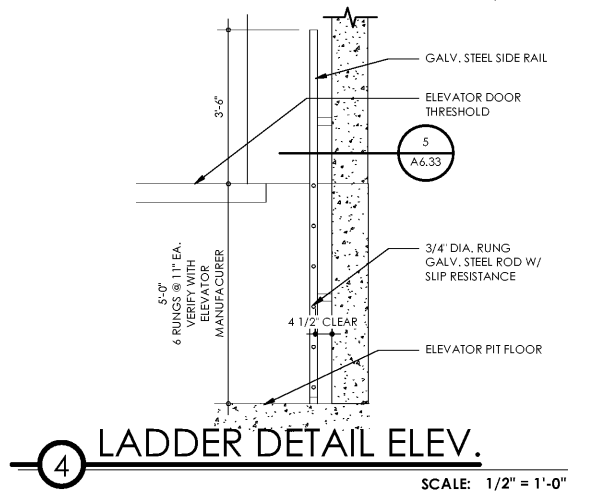
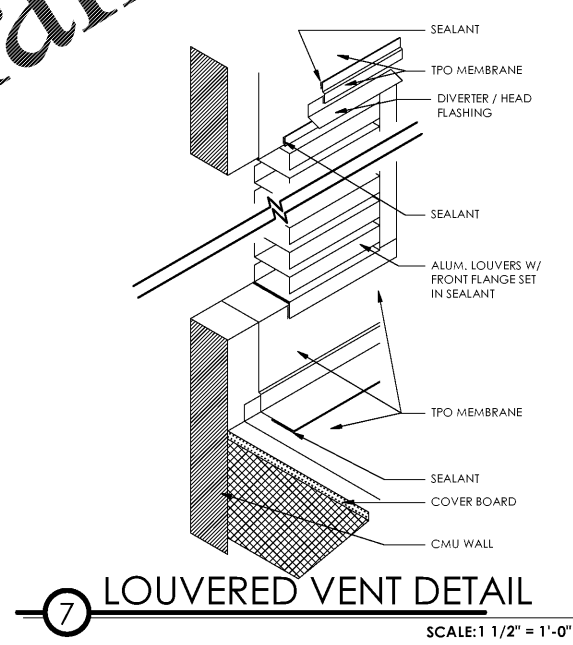
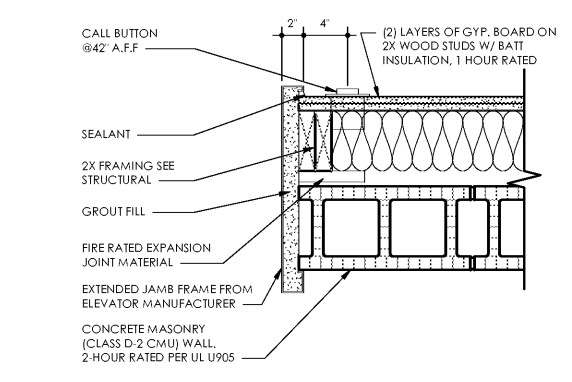
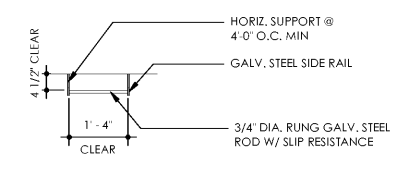
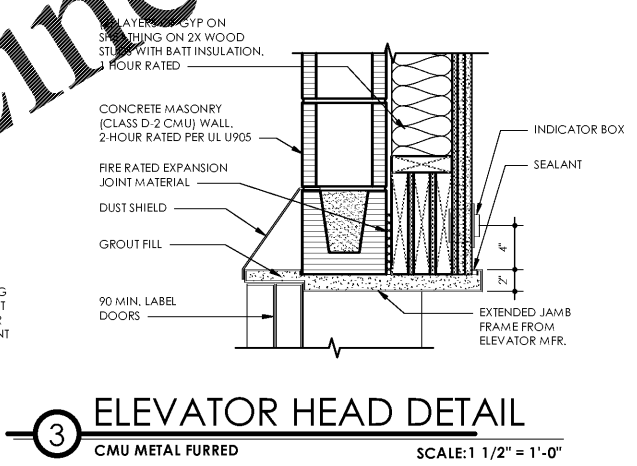
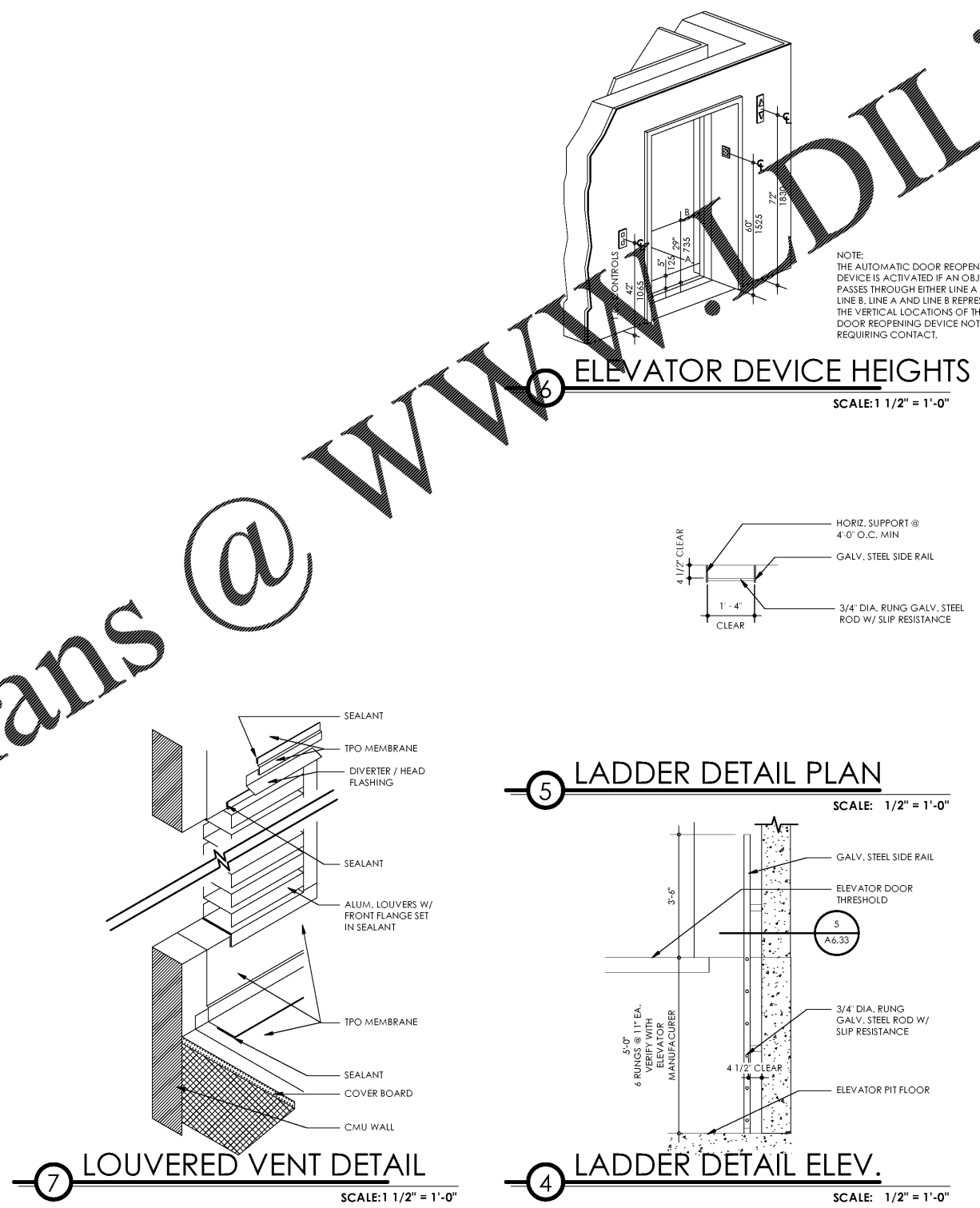


Order Plans @ WWW.VDILine.com



Lytic at Norton Commons
Prospect, Kentucky

Bristol Development Group
381 Mallory Station Rd, Suite 204
Franklin, TN 37067

charlan • brock
associates

architects • planners

1770 fennell street
maitland florida 32751-7208
407.660.8900 f:407.875.9948
www.cbarchitects.com

TYPICAL
ELEVATOR DETAILS

date: **06/04/2019**
job no: **3789.15**
drawn by: **EGR JAC, TQT**
reviewed by: **CBA**
issue history:
Δ Date

A6.33