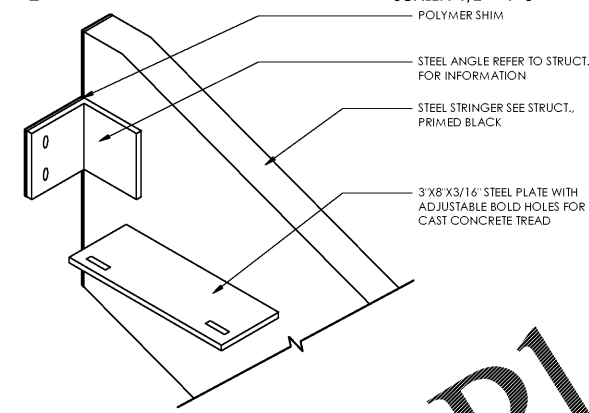
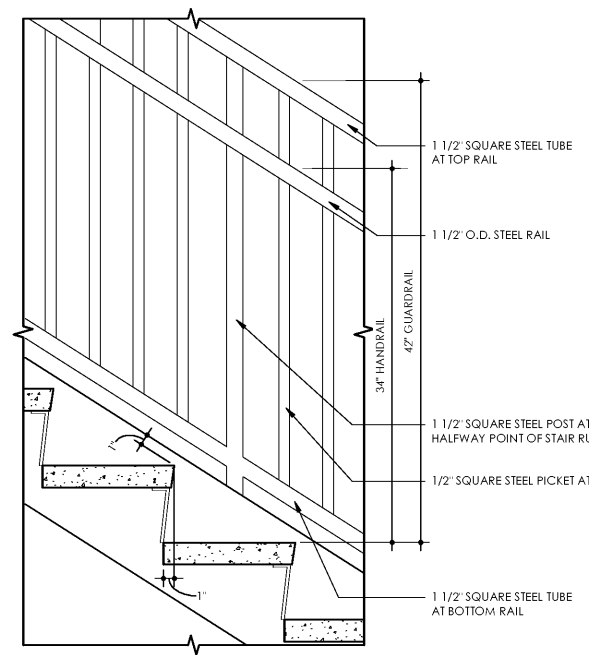


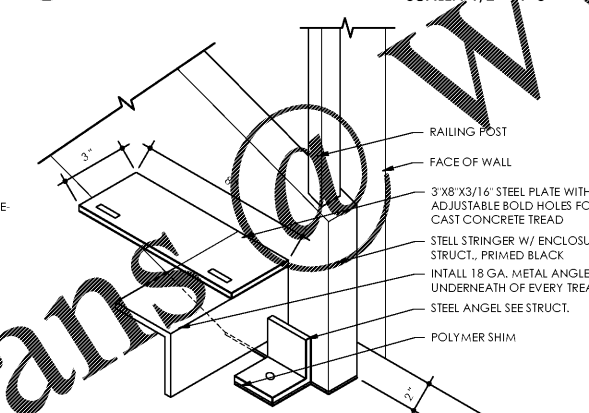
13 SIGN - STAIRS
SCALE: 1 1/2" = 1'-0"



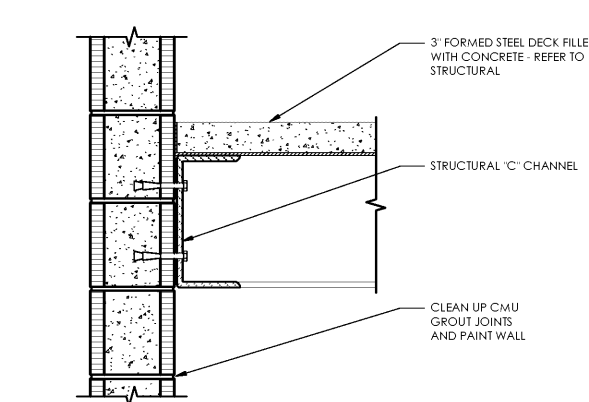
12 STRINGER ANCHOR DETAIL
SCALE: 1 1/2" = 1'-0"



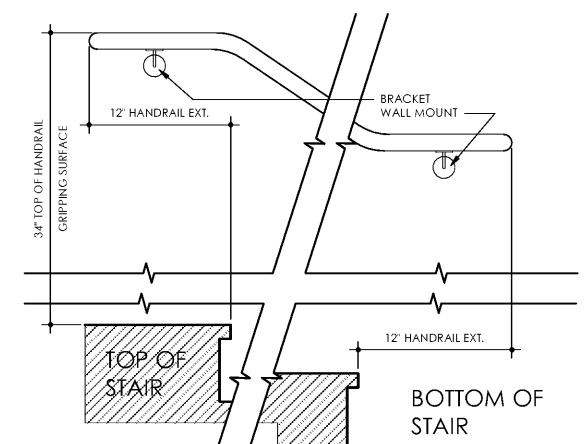
11 STAIR RAIL DETAIL
SCALE: 1 1/2" = 1'-0"



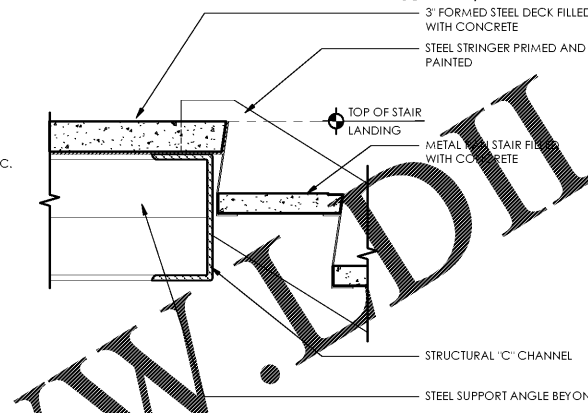
10 STRINGER ANCHOR DETAIL
SCALE: 1 1/2" = 1'-0"



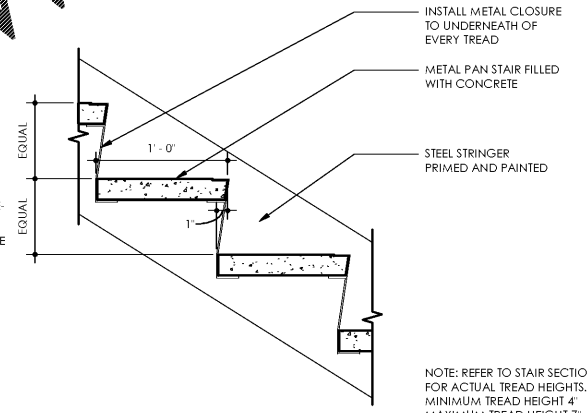
9 STEEL STAIR DETAIL
SCALE: 1 1/2" = 1'-0"



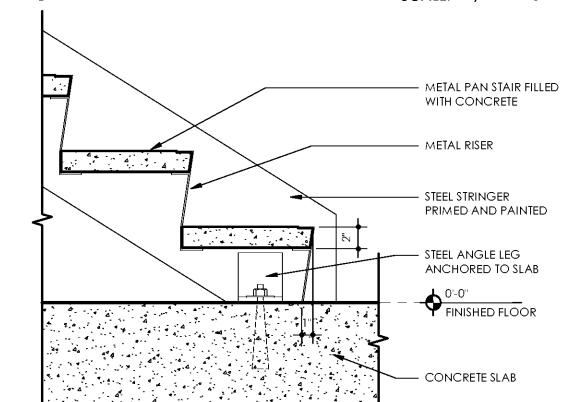
8 TYP. HANDRAIL DIMENSIONS
SCALE: 1 1/2" = 1'-0"



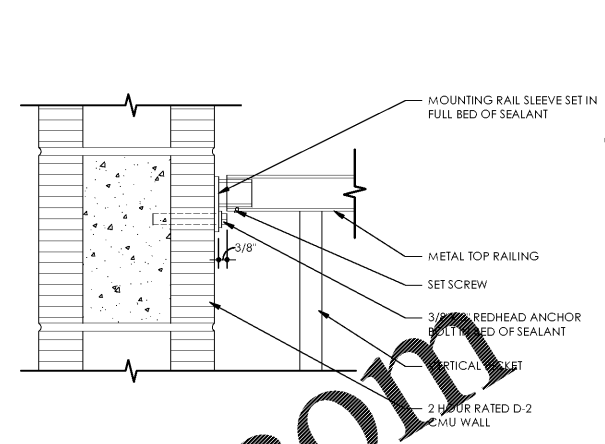
7 STEEL STAIR DETAIL
SCALE: 1 1/2" = 1'-0"



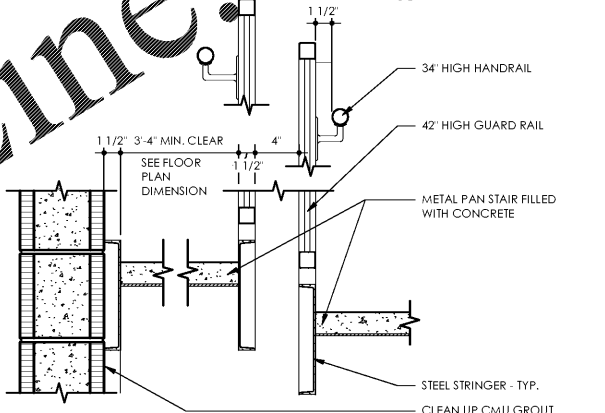
6 STEEL STAIR DETAIL
SCALE: 1 1/2" = 1'-0"



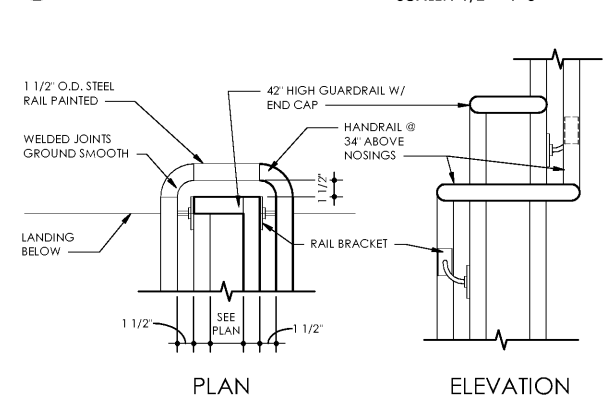
5 LANDING DETAIL
SCALE: 1 1/2" = 1'-0"



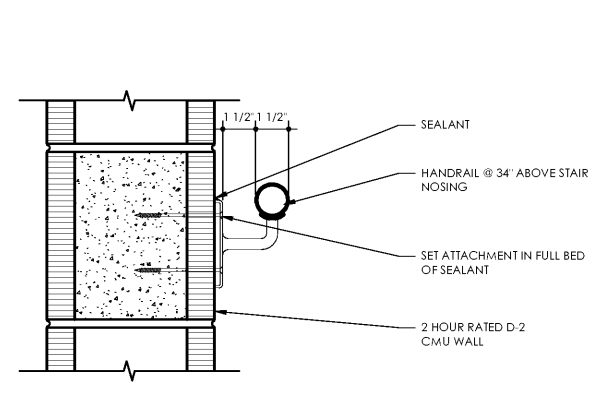
4 RAILING CONNECTION-CMU
SCALE: 3" = 1'-0"



3 STAIR TREAD DETAIL
SCALE: 1 1/2" = 1'-0"



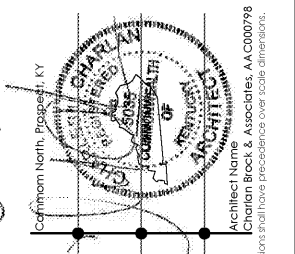
2 HANDRAIL TRANSITION
SCALE: 1 1/2" = 1'-0"



1 HAND RAIL ATTACHMENT
SCALE: 3" = 1'-0"

STAIR HANDRAIL NOTES

- REFER TO SPECIFICATIONS FOR COMPLETE SPECIFICATIONS ON HANDRAIL DESIGN AND CONSTRUCTION.
- HANDRAILS ARE TO BE WELDED STEEL. WELDERS ARE TO BE MITERED, WELDED AND GROUND SMOOTH.
- FINISH TO BE POWDER COATED, COLOR TO BE SELECTED BY OWNER PRIOR TO ORDER / FABRICATION.
- HANDRAILS TO BE DESIGNED TO RESIST A HORIZONTAL THRUST OF 200 LB AT ANY POINT; 50 LB PER LINEAR FOOT APPLIED AT THE TOP POINT OF RAIL.
- ANCHOR POSTS IN CONCRETE CORE DRILLED HOLES. CLEAN HOLES OF ALL LOOSE MATERIAL, INSERT POSTS, AND FILL ANNULAR SPACE BETWEEN POST AND CONCRETE WITH BONSAL ANCHORING CEMENT. (OR APPROVED EQUAL PRODUCT)



Lyric at Norton Commons
Prospect, Kentucky
Bristol Development Group
981 Mallory Station Rd, Suite 204
Franklin, TN 37067

charlan • brock
associates
architects • planners
1770 fennell street
maitland florida 32751-7208
407.660.8900 f:407.875.9948
www.cbarchitects.com

TYPICAL STAIR DETAILS
date: 06/04/2019
job no: 3789.15
drawn by: EGR JAC, TQT
reviewed by: CBA
issue history:
Δ Date

A6.21