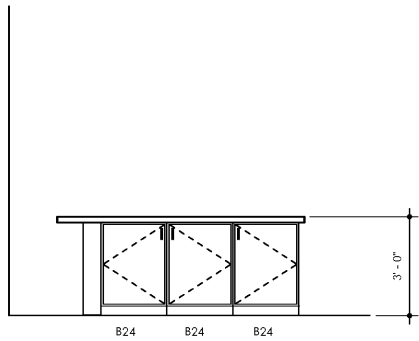
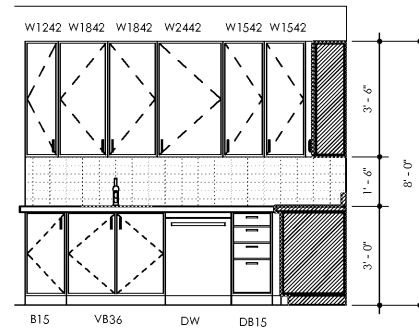


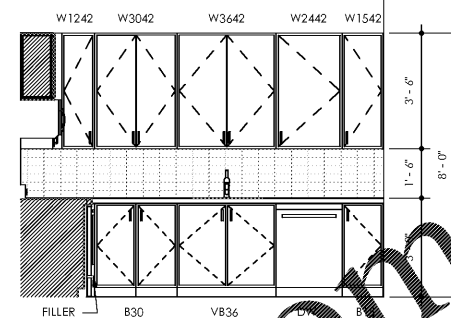
15 BATH
UNIT C3
SCALE: 3/8" = 1'-0"



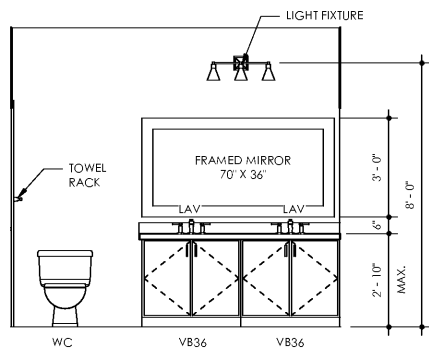
11 KITCHEN
UNIT C3
SCALE: 3/8" = 1'-0"



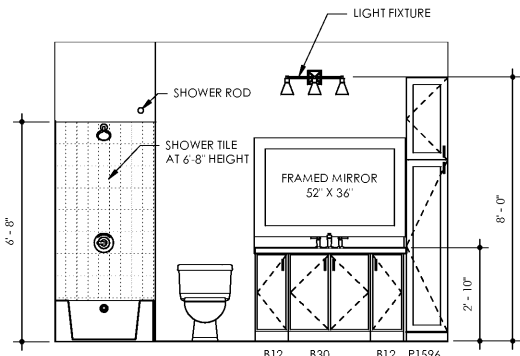
7 KITCHEN
UNITS C2
SCALE: 3/8" = 1'-0"



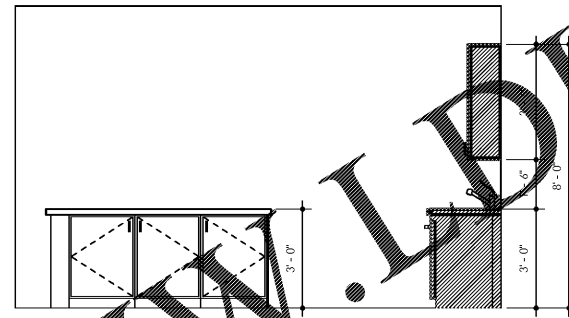
3 KITCHEN
UNITS C1
SCALE: 3/8" = 1'-0"



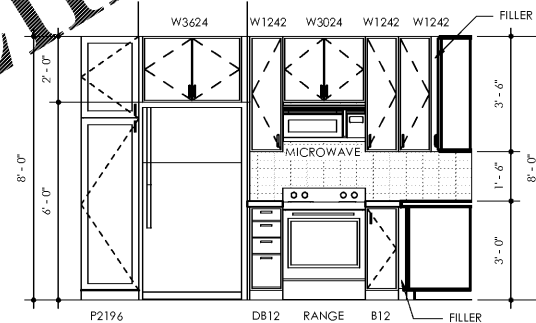
14 BATH
UNITS C3
SCALE: 3/8" = 1'-0"



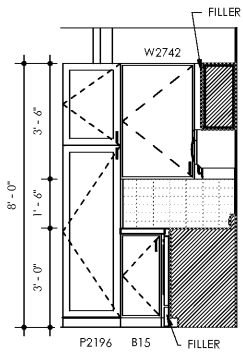
10 BATH
UNITS C2
SCALE: 3/8" = 1'-0"



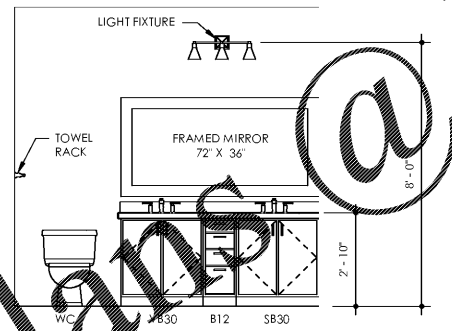
6 KITCHEN
UNITS C2
SCALE: 3/8" = 1'-0"



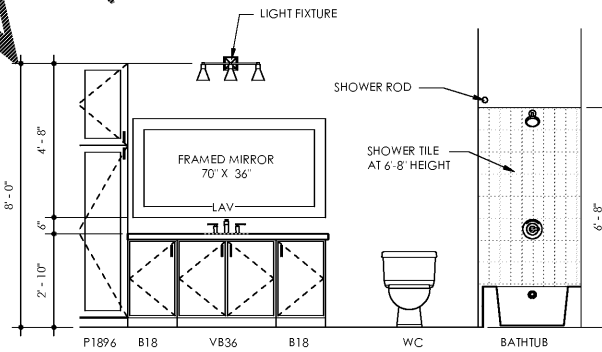
2 KITCHEN
UNITS C1
SCALE: 3/8" = 1'-0"



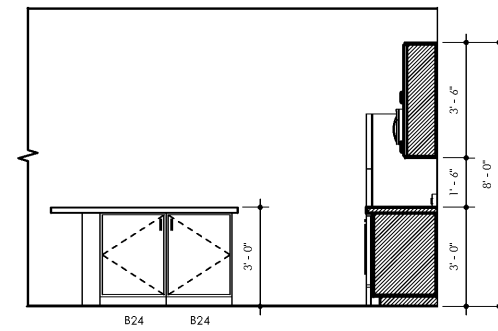
13 KITCHEN
UNITS C3
SCALE: 3/8" = 1'-0"



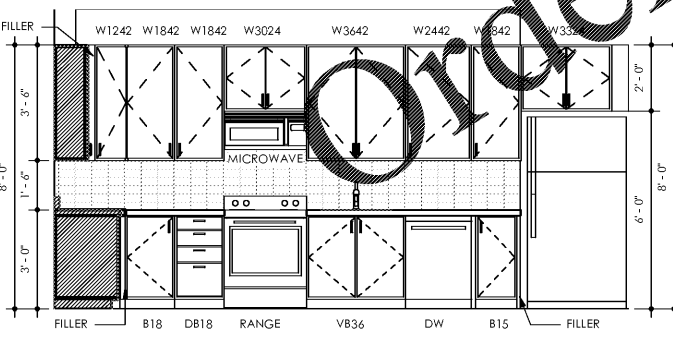
9 BATH
UNITS C2
SCALE: 3/8" = 1'-0"



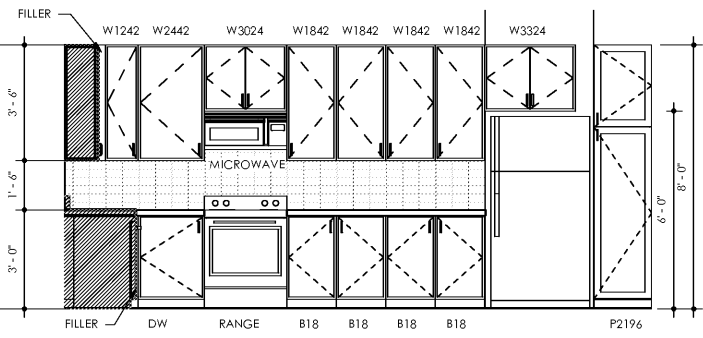
5 BATH
UNITS C1, C1-A
SCALE: 3/8" = 1'-0"



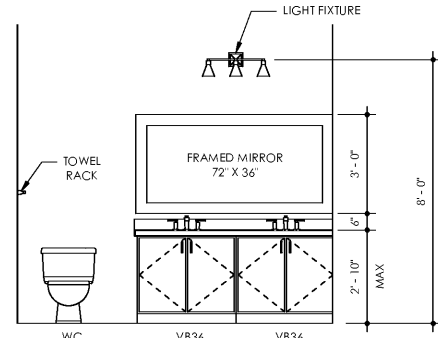
1 KITCHEN
UNIT C1
SCALE: 3/8" = 1'-0"



12 KITCHEN
UNITS C3
SCALE: 3/8" = 1'-0"



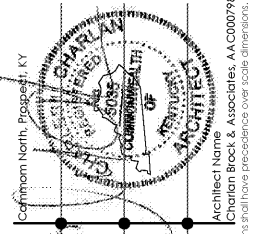
8 KITCHEN
UNITS C2
SCALE: 3/8" = 1'-0"



4 BATH
UNIT C1-A
SCALE: 3/8" = 1'-0"

GENERAL NOTES

1. ALL APPLIANCES WILL BE SILVER FINISH
2. ALL ACCESSIBLE OVENS/RANGES TO HAVE FRONTAL CONTROLS.
3. MAXIMUM FILLER SIZE = 3"
4. MICROWAVES IN ACCESSIBLE UNITS TO BE AT COUNTER LEVEL.
5. 50% MINIMUM OF CABINETRY SHELVES IN ACCESSIBLE UNITS TO BE WITHIN REACH RANGE (48" HIGH MAX)



Lytic at Norton Commons
Prospect, Kentucky
Bristol Development Group
381 Mallory Station Rd, Suite 204
Franklin, TN 37067

charlan • brock
associates
architects • planners
1770 fennell street
maitland florida 32751-7208
407.660.8900 f:407.875.9948
www.cbarchitects.com

INTERIOR
ELEVATIONS UNIT
KITCHENS AND
BATHS

date: **06/04/2019**
job no: **3789.15**
drawn by: **EGR JAC, TQT**
reviewed by: **CBA**
issue history:
Δ Date

A4.94

6/4/2019 10:19:19 AM C:\A\Clients\Custom Plans\Projects\3789.15\KITCHEN\BATHS\UNITS\KITCHENS\BATHS\KITCHEN UNIT C3.dwg

Order Plans @ WWW.LDILine.com