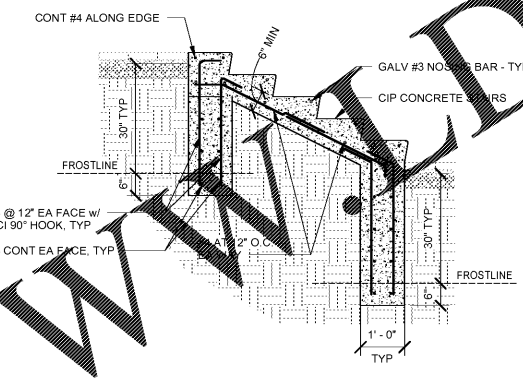
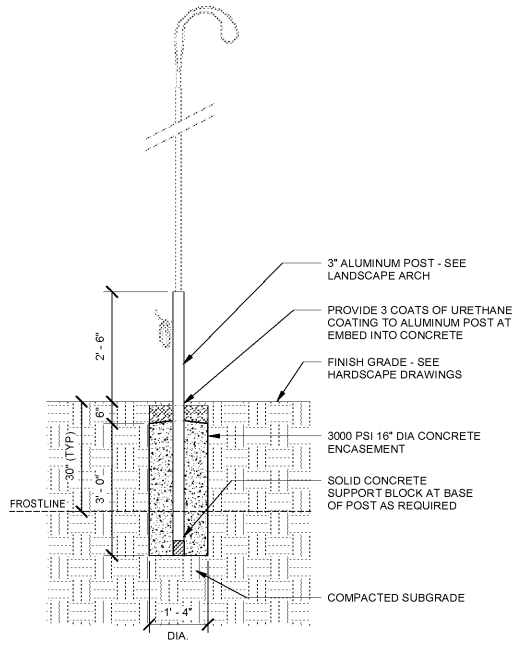
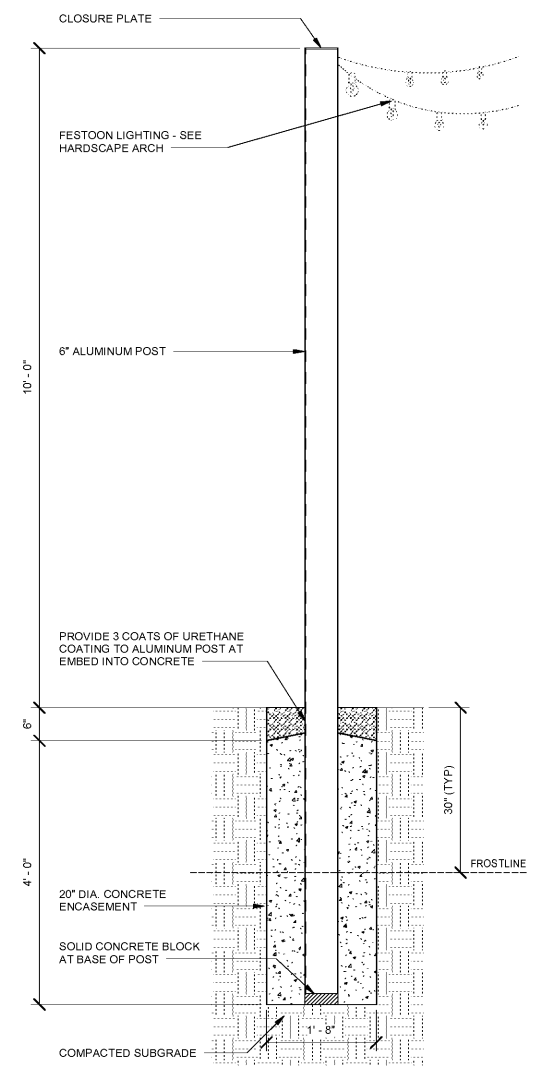


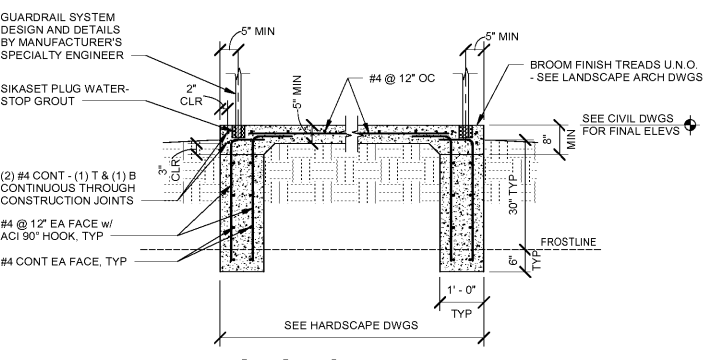
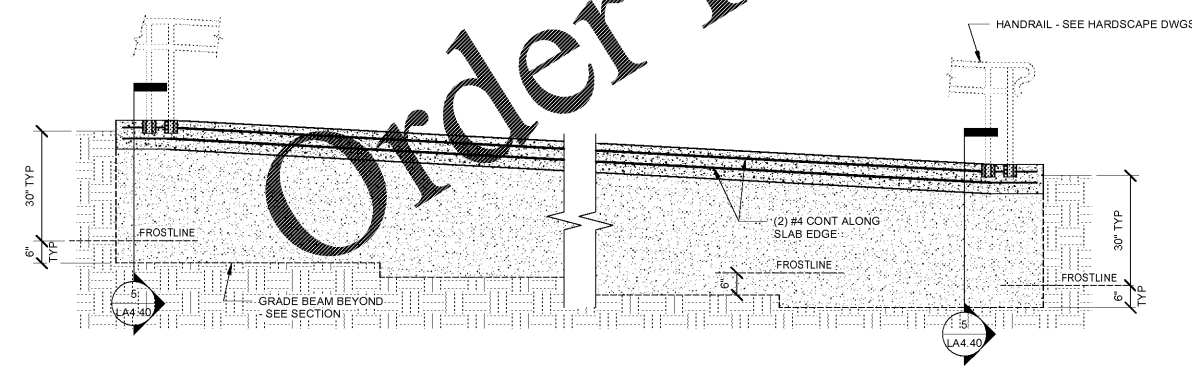
Date:	06.04.19
Drawn by:	PDM
Reviewed by:	CEM
Job Number:	21889.1
Revision:	Date:



1 FESTOON LIGHT POLE  
LA4.40 3/4" = 1'-0"

2 SECTION AT LIFE SAFETY EQUIPMENT  
LA4.40 1/2" = 1'-0"

3 CONCRETE STEPS DETAIL  
LA4.40 1/2" = 1'-0"



4 CONCRETE A.D.A. RAMP ELEVATION  
LA4.40 1/2" = 1'-0"

5 A.D.A. RAMP SECTION  
LA4.40 1/2" = 1'-0"

Order Plans @ WWW.DILine.com

LYRIC AT NORTON COMMONS  
Prospect, Kentucky

DIXIE  
PARTNERS  
166 W. JESSUP AVENUE  
LOUISVILLE, KY 40202  
TEL: 402.467.1777  
FAX: 402.467.1779



90% HARDSCAPE PLANS  
MISCELLANEOUS STRUCTURAL DETAILS

**McElroy Engineering**  
STRUCTURAL DESIGN GROUP  
1836 EDGEWATER DRIVE ORLANDO, FL 32804  
P: 407.245.8775 | F: 407.245.8744 | www.mcelroyeng.com

CRAIG E. MCELROY P.E. LIC. NO. KY 34706  
STATE OF KENTUCKY  
CRAIG MCELROY 34706  
LICENSED PROFESSIONAL ENGINEER

PROJECT NUMBER: 4419-15  
DATE: 06/04/2019  
TO THE BEST OF MY KNOWLEDGE, THE PLANS AND SPECIFICATIONS COMPLY WITH THE APPLICABLE MINIMUM BUILDING CODES AND THE APPLICABLE FIRE SAFETY STANDARDS AS DETERMINED BY THE LOCAL AUTHORITY IN ACCORDANCE WITH CHAPTER 633.010 AND CHAPTER 633.030.  
COPYRIGHT - ALL DESIGN, METHODS AND PLANS INDICATED OR REPRESENTED BY THIS DRAWING ARE OWNED BY AND THE PROPERTY OF MCELROY ENGINEERING, LLC AND WERE CREATED, DEVELOPED AND DEVELOPED FOR USE IN CONNECTION WITH THE SPECIFIC PROJECT. NONE OF THE DESIGN, DESIGN ARRANGEMENTS, METHODS OR PLANS SHALL BE USED BY OR DISCLOSED TO ANY PERSON, FIRM OR CORPORATION FOR ANY PURPOSE WHATSOEVER WITHOUT WRITTEN PERMISSION OF MCELROY ENGINEERING, LLC.

Sheet Number:  
**LA4.40**