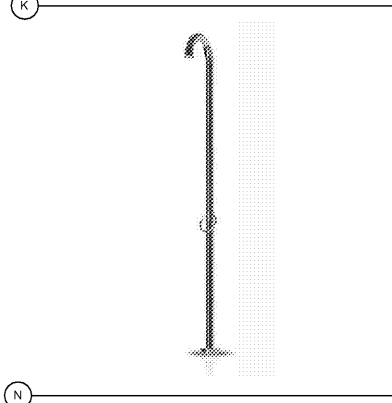
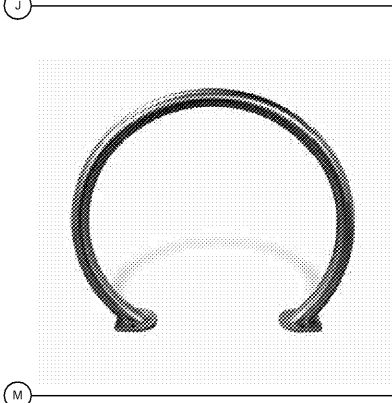
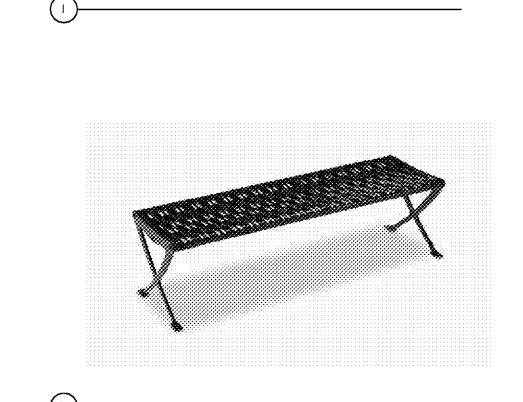
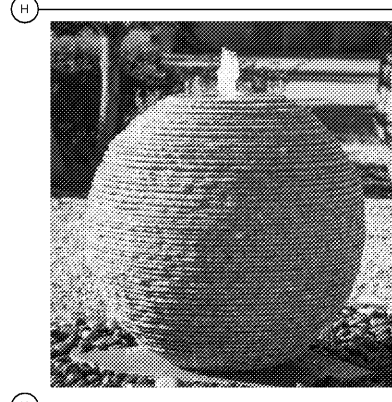
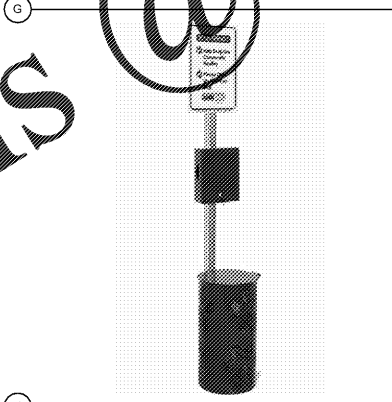
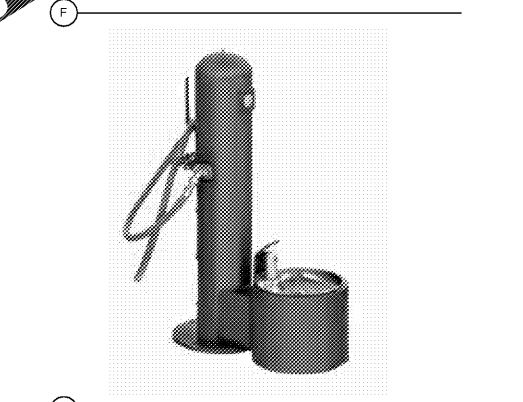
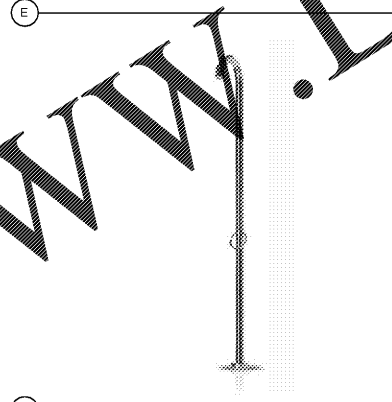
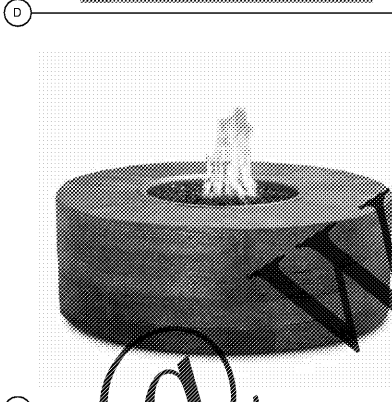
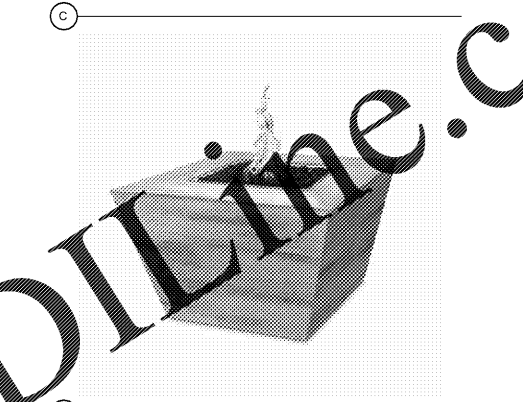
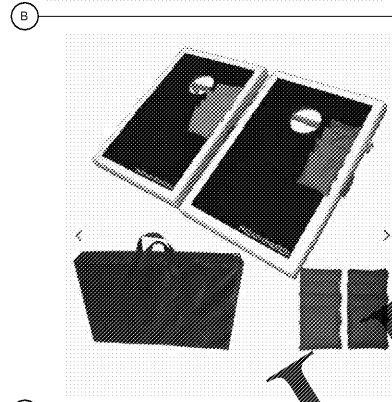
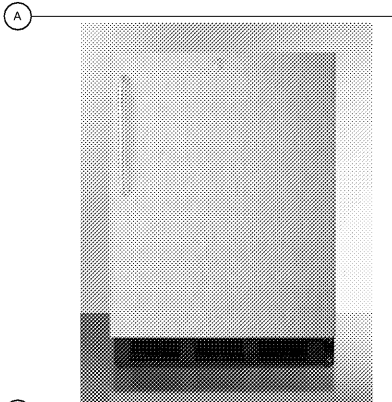
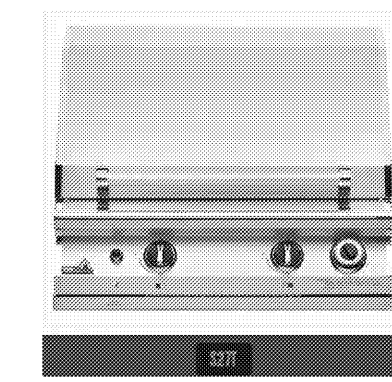


SITE FURNISHINGS SCHEDULE			
SYMBOL	ITEM	SPECIFICATION	MANUFACTURER
A	GRILL	PRODUCT: BUILT-IN GAS GRILL, PGS LEGACY SERIES 30" GRILL (S27-T-BUILT-IN 60 MIN. TIMER, NATURAL GAS, SEE HS PLANS) FINISH: TBD GRILL DETAILS INDICATE DESIGN INTENT ONLY. ENCLOSURE MUST BE VENTED TO COMPLY WITH ALL REQUIRED BUILDING AND ANSI CODES. CONTRACTOR TO CONSULT DIRECTLY WITH THE MANUFACTURER FOR INSTALLATION INSTRUCTIONS AND SPECIFICATIONS.	AEI CORPORATION WWW.AEICORPORATION.COM 949-474-3070
B	GRILL ACCESS DOORS	MODEL: PGS S27-TNG DOORS FINISH: STAINLESS STEEL	AEI CORPORATION 1-949-474-3070 WWW.AEICORPORATION.COM
C	SINK & FAUCET	SINK MODEL: VAULT, TOP-MOUNT SINK, #K-3894-4-NA FAUCET MODEL: SIMPLICE PULL-DOWN KITCHEN SINK FAUCET - 9" SWING SPOUT REACH ADA ACCESSIBLE, #K-596 FAUCET FINISH: STAINLESS STEEL	KOHLER WWW.KOHLER.COM
D	REFRIGERATOR	MODEL: ADA COMPLIANT COMMERCIAL OUTDOOR REFRIGERATOR (32.25"X23.75"X25") FINISH: SOLID STAINLESS STEEL	SUMMIT COMMERCIAL APPLIANCE DIVISION 718-893-3900 WWW.SUMMITAPPLIANCE.COM
E	CORN HOLE	PRODUCT: CORN HOLE BOARDS (CH-01) TEAK WOOD, BLACK METAL FRAME FINISH: PREMIUM TEAK	SPRING BREAK 24-7 WWW.SPRINGBREAK247.COM
F	FIREPIT A	MODEL: PLYMOUTH 72", PROPANE, ELECTRIC IGNITION, 65K BTU, BLACK LAVA ROCK - LP GAS -CONTROLS ARE FOR RESIDENTS AND MUST BE WITHIN 15" AFF TO WITHIN 48" AFF AND NOT TO REQUIRE TIGHT PINCHING OR TWISTING OF WRIST TO OPERATE NOTE: PROVIDE 4" LEVEL CONCRETE PAD UNDER PIT (SAME AS PIT DIMENSIONS) WITH SLEEVE FOR DRAINAGE, ELECTRICAL AND GAS	WOODLAND DIRECT WWW.WOODLANDDIRECT.COM
G	FIREPIT B	PRODUCT NAME: SEQUOIA 42", PROPANE, ELECTRIC IGNITION, 65K BTU, BLACK LAVA ROCK, LP GAS ACCESSORIES: ALL-WEATHER COVER AND TEMPERED GLASS SCREEN -CONTROLS ARE FOR RESIDENTS AND MUST BE WITHIN 15" AFF TO WITHIN 48" AFF AND NOT TO REQUIRE TIGHT PINCHING OR TWISTING OF WRIST TO OPERATE NOTE: PROVIDE 4" LEVEL CONCRETE PAD UNDER PIT (SAME AS PIT DIMENSIONS) WITH SLEEVE FOR DRAINAGE, ELECTRICAL AND GAS	WOODLAND DIRECT WWW.WOODLANDDIRECT.COM
H	POOL SHOWER	MODEL: JEE-O ORIGINAL SHOWER 01 ITEM NO.: 005-0101 FINISH: 100-6101 POLISHED FINISH NOTE: MUST BE ADA COMPLIANT - SHOWER HEAD TO PROVIDE MIN. 80" VERT. CLEARANCE & CONTROLS NOT TO REQUIRE GRASPING, PINCHING, OR TWISTING OF WRIST TO OPERATE.	PURIFICARE-US 305-699-5333 WWW.PURIFICARE-US.COM/JEE-O
I	PET WATER FOUNTAIN	MODEL: METAL PEDESTAL PET DRINKING FOUNTAIN WITH WASH DOWN STATION (#9000-66-SS) FINISH: STAINLESS STEEL MOUNTING: SURFACE (INSTALL PER MANUFACTURER'S SPECIFICATIONS) **CONTRACTOR TO PROVIDE WATER AND ELECTRICAL SOURCE	STERN-WILLIAMS WWW.STERN-WILLIAMS.COM
J	PET STATION	MODEL: PET STATION W/ LID POLY PLASTIC (135-1015) FRAME FINISH: GREEN	THE PARK CATALOG WWW.THEPARKCATALOG.COM
K	3' GRANITE STONE FOUNTAIN	MODEL: GRANITE RIBBED SPHERE 36", 300 GPH SUBMERSIBLE PUMP COLOR: TBD	STONE FOREST WWW.STONEFOREST.COM
L	BENCH	MODEL: COSMOPOLITAN COLLECTION FLAT BENCH (#L1782) COLOR: BLACK	BELSON WWW.BELSON.COM 1-800-323-5664
M	BIKE RACK	MODEL: 2-BIKE ROUND TUBE CIRCULAR BIKE RACK (#CBBR-2CR-SS) MOUNTING: IN-GROUND COLOR: BLACK	BELSON WWW.BELSON.COM 1-800-323-5664
N	POOL SHOWER	MODEL: JEE-O ORIGINAL SHOWER 01 ITEM NO.: 005-0101 FINISH: 100-6101 POLISHED FINISH NOTE: MUST BE ADA COMPLIANT - SHOWER HEAD TO PROVIDE MIN. 80" VERT. CLEARANCE & CONTROLS NOT TO REQUIRE GRASPING, PINCHING, OR TWISTING OF WRIST TO OPERATE.	PURIFICARE-US 305-699-5333 WWW.PURIFICARE-US.COM/JEE-O



Date:	06/04/19
Drawn by:	PC
Reviewed by:	RC/JW
Job Number:	21889.1
Revision:	Date:

LYRIC AT NORTON COMMONS
Prospect, Kentucky

Bristol Development Group
380 Mallory Station Rd., #304, Franklin, TN 37064

DIX.HITE
PARTNERS
150 W. JESSUP AVENUE
LONGWOOD, FLORIDA 32750
TEL 407.667.1777

90% HARDSCAPE PLANS

SITE FURNISHINGS SCHEDULE

Order Plans @

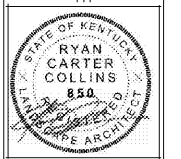
WWW.LDILLINE.COM

FURNISHINGS NOTE:
OWNER TO SELECT ALL MOVEABLE STREETSCAPE AND POOL FURNITURE. SEE SHEET LA3.10 FOR ALL OTHER FURNISHINGS INFORMATION.

NOTE:
1) QUANTITIES SHOWN ON SITE FURNISHINGS/PAVING SCHEDULES ARE FOR CONVENIENCE ONLY. CONTRACTOR IS RESPONSIBLE FOR ALL ITEMS/MATERIALS SHOWN ON PLANS. IF DISCREPANCIES ARISE BETWEEN THE SCHEDULES AND THE PLANS, THE PLANS ARE TO OVERRIDE THE SCHEDULES IN ALL CASES.

2) CONTRACTOR MUST SUBMIT SAMPLES AND / OR OBTAIN SHOP DRAWING APPROVAL FOR ALL SITE FURNISHINGS, MATERIALS AND FINISHES.

3) SELECTED COLORS/FINISHES VARY FROM IMAGES SHOWN



Sheet Number:
LA3.10