

Date:	06/04/19
Drawn by:	PC
Reviewed by:	RC/JW
Job Number:	21889.1
Revision:	Date:

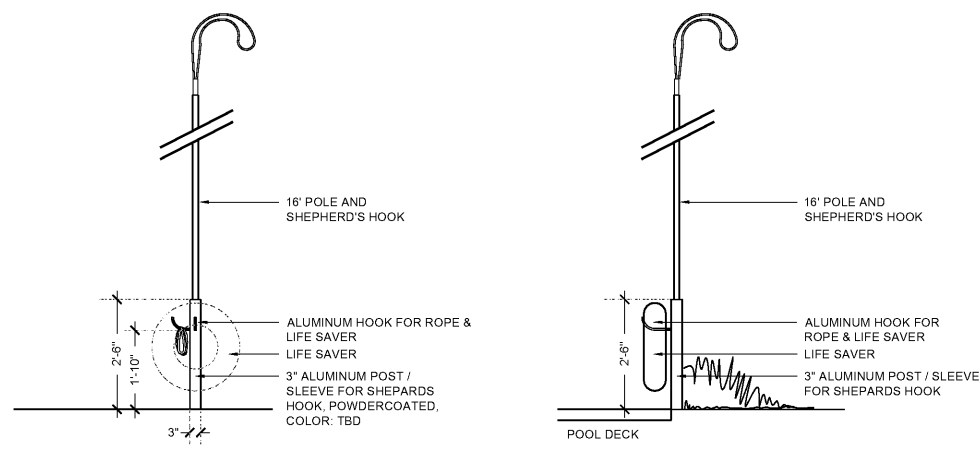
SYMBOL LEGEND	
B	PLANTER POT SCHEDULE REFERENCE, SEE SHEET LA3.20
1	PAVING / MATERIALS SCHEDULE REFERENCE, SEE SHEET LA3.00
A	SITE FURNISHINGS SCHEDULE REFERENCE, SEE SHEET LA3.10

NOTE: ALL INFORMATION SHOWN IS FOR DESIGN INTENT / MATERIALITY PURPOSES ONLY. REFER TO POOL ENGINEERING DRAWINGS FOR FULL ENGINEERING DRAWINGS / DETAILS.

FABRICATION NOTES:

- ALL DIMENSIONS TO BE FIELD VERIFIED PRIOR TO FABRICATION.
- CONTRACTOR TO SUBMIT SHOP DRAWINGS AND SAMPLES, INCLUDING FRAMING LAYOUT TO LANDSCAPE ARCHITECT FOR REVIEW AND APPROVAL PRIOR TO FABRICATION.
- ALL COMPONENTS TO BE WELDED STRUCTURAL STEEL WITH NO ELECTRICAL WASTES TO JOINTS UNLESS OTHERWISE NOTED.
- INFORMATION IS SHOWN FOR DESIGN INTENT PURPOSES ONLY. REFER TO CIVIL, STRUCTURAL AND POOL ENGINEERING DRAWINGS FOR ADDITIONAL SPECIFICATIONS, DETAILS AND SIZING.

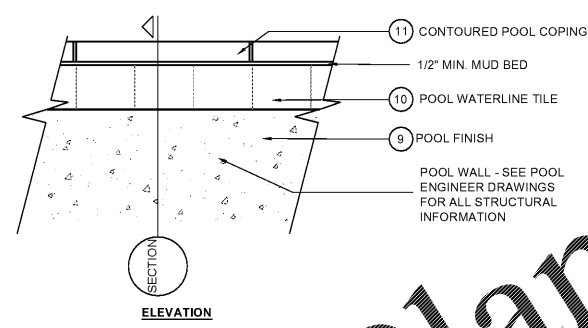
NOTE: ALL ALUMINUM COMPONENTS TO BE POWDER-COATED, COLOR: TBD. LIFE SAFETY EQUIPMENT MUST BE LOCATED IN AN ACCESSIBLE LOCATION PER THE PLANS AND MOUNTED NO HIGHER THAN 48" AFF.



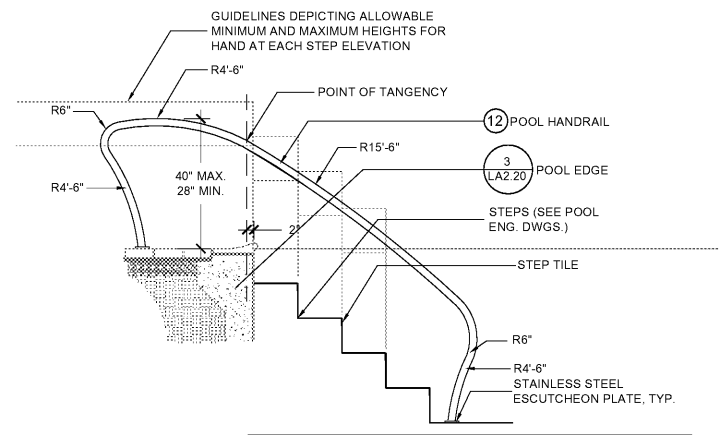
01 POOL LIFE SAFETY EQUIPMENT
LA2.20 SCALE: 1/2"=1'-0"

DETAIL REMOVED
SEE FURNISHINGS SCHEDULE ITEM 'H' FOR SHOWER SPECIFICATION. SEE STRUCTURAL ENGINEERING DRAWINGS FOR SHOWER FOOTING INFORMATION.

02 POOL SHOWER
LA2.20 SCALE: 1/2"=1'-0"

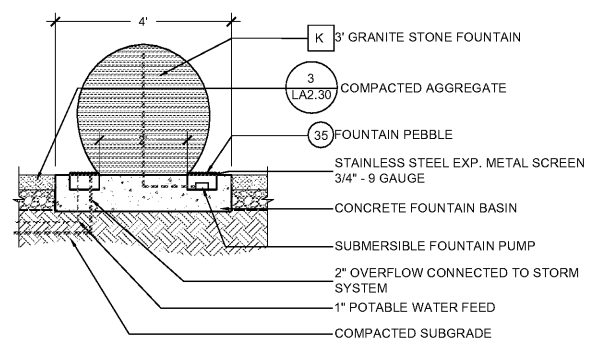


03 POOL EDGE
LA2.20 SCALE: 1"=1'-0"



04 POOL HANDRAIL
LA2.20 SCALE: 1/2"=1'-0"

NOTE: CONTRACTOR TO SUBMIT SHOP DRAWINGS AND SAMPLES FOR POOL HANDRAIL TO LANDSCAPE ARCHITECT FOR REVIEW AND APPROVAL PRIOR TO FABRICATION.



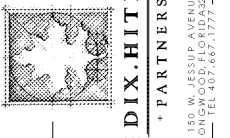
05 FOUNTAIN
LA2.20 SCALE: 1/2"=1'-0"

NOTES:
1. CONTRACTOR TO PROVIDE 1" WATER SUPPLY WITH AUTOMATIC REFILL/WATER LEVEL DEVICE.
2. FOUNTAIN CONTRACTOR TO PROVIDE SHOP DRAWINGS FOR LANDSCAPE ARCHITECT AND OWNER REVIEW AND APPROVAL FOR FULLY FUNCTIONAL FOUNTAIN.

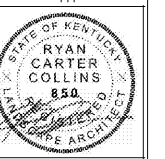
Order Plans @ www.LDILine.com

LYRIC AT NORTON COMMONS
Prospect, Kentucky

Bristol Development Group
380 Mallory Station Rd., #304, Franklin, TN 37064



90% HARDSCAPE PLANS
POOL DETAILS



Sheet Number:
LA2.20