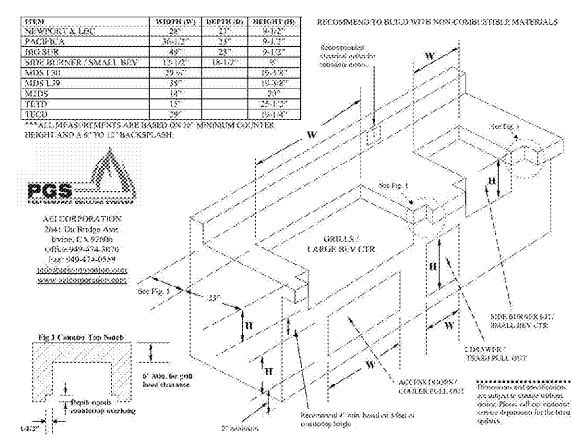


**GRILL DETAILS INDICATE DESIGN INTENT ONLY. ENCLOSURE MUST BE VENTED TO COMPLY WITH ALL REQUIRED BUILDING AND ANSI CODES. CONTRACTOR TO CONSULT DIRECTLY WITH THE MANUFACTURER FOR INSTALLATION INSTRUCTIONS AND SPECIFICATIONS.**



**SYMBOL LEGEND**

- (B) PLANTER POT SCHEDULE REFERENCE, SEE SHEET LA3.20
- (1) PAVING / MATERIALS SCHEDULE REFERENCE, SEE SHEET LA3.00
- (A) SITE FURNISHINGS SCHEDULE REFERENCE, SEE SHEET LA3.10

**NOTE: ALL INFORMATION SHOWN IS FOR DESIGN INTENT / MATERIALITY PURPOSES ONLY. REFER TO CIVIL, STRUCTURAL, AND POOL ENGINEERING DRAWINGS FOR ADDITIONAL DETAILS.**

**FABRICATION NOTES:**

- ALL DIMENSIONS TO BE FIELD VERIFIED PRIOR TO FABRICATION.
- CONTRACTOR TO SUBMIT SHOP DRAWINGS AND SAMPLES, INCLUDING FRAMING LAYOUT, TO LANDSCAPE ARCHITECT FOR REVIEW AND APPROVAL PRIOR TO FABRICATION.
- ALL COMPONENTS TO BE WELDED STRUCTURAL STEEL WITH NO MECHANICALLY FASTENED JOINTS UNLESS OTHERWISE NOTED.
- INFORMATION IS SHOWN FOR DESIGN INTENT PURPOSES ONLY. REFER TO CIVIL, STRUCTURAL, AND POOL ENGINEERING DRAWINGS FOR ADDITIONAL SPECIFICATIONS, DETAILS AND MEMBER SIZING.

**NOTE:**

- CONTRACTOR TO PROVIDE MATERIAL AND FINISH SAMPLES FOR LANDSCAPE ARCHITECT REVIEW AND APPROVAL PRIOR TO FABRICATION.
- SEE STRUCTURAL ENGINEER DRAWINGS FOR ALL STRUCTURAL DETAILING AND FURTHER INFORMATION.
- ALL ATTACHMENT HARDWARE AND SCREWS TO BE STAINLESS STEEL.
- SHOP DRAWINGS TO BE PROVIDED TO OWNER / LANDSCAPE ARCHITECT FOR REVIEW OF GRILL STATION PRIOR TO ALL FABRICATION.
- PROVIDE HEAT TRACE FOR SINK WATER LINES (SEE M.E.P. DRAWINGS).

**Order Plans**