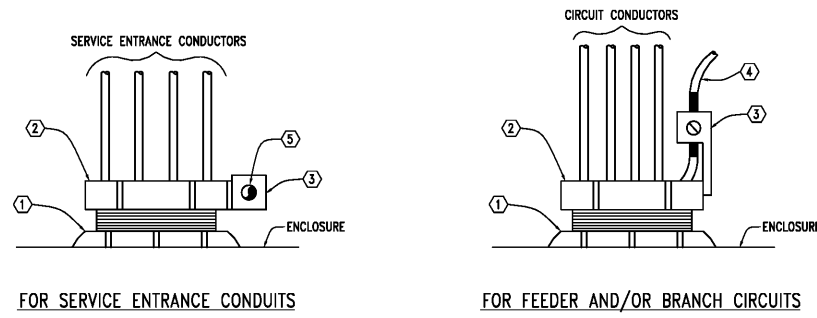


DETAIL NOTES

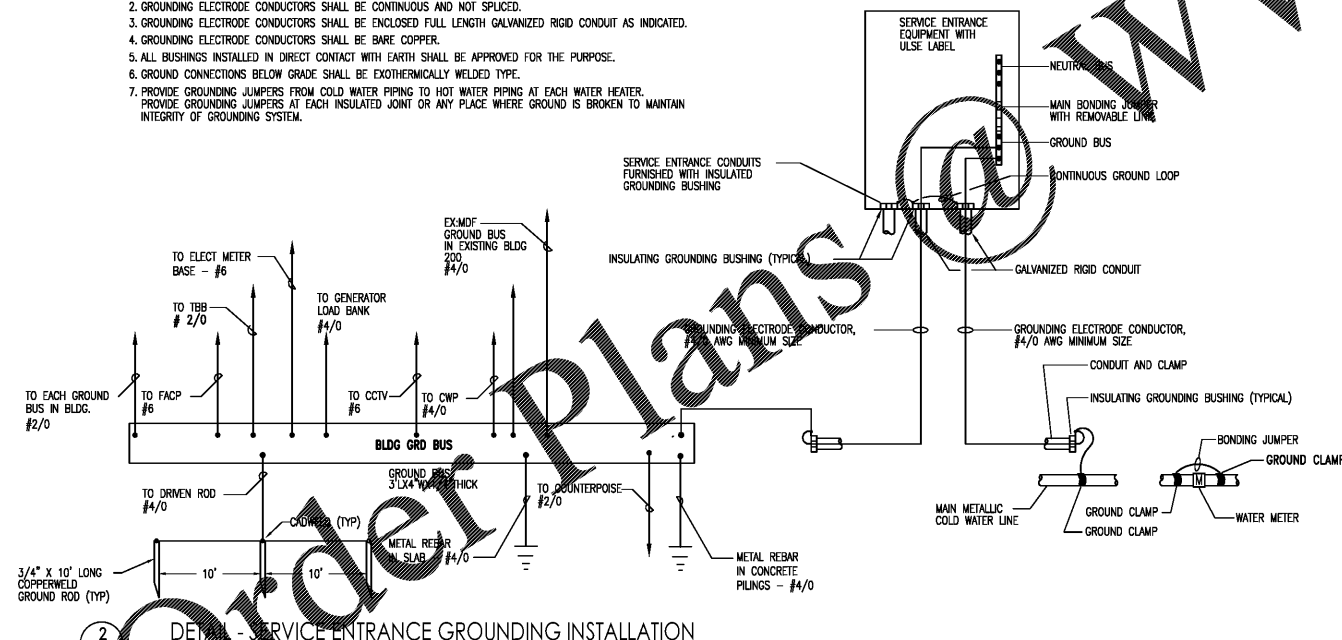
- ① LOCK-NUT ASSEMBLIES
- ② METAL GROUND BUSHING
- ③ COPPER GROUND LUG
- ④ COPPER GROUND CONDUCTOR. REMOVE INSULATION AT BUSHING. RUN THROUGH BUSHING LUG AND BOND TO RACEWAY SYSTEM. DO NOT SPLICE OR TAP.
- ⑤ CONTINUOUS COPPER GROUND CONDUCTOR FROM GROUND BUS THROUGH EACH BUSHING. DO NOT SPLICE OR TAP.



① DETAIL - TYPICAL GROUND BUSHING INSTALLATION
NO SCALE

NOTES

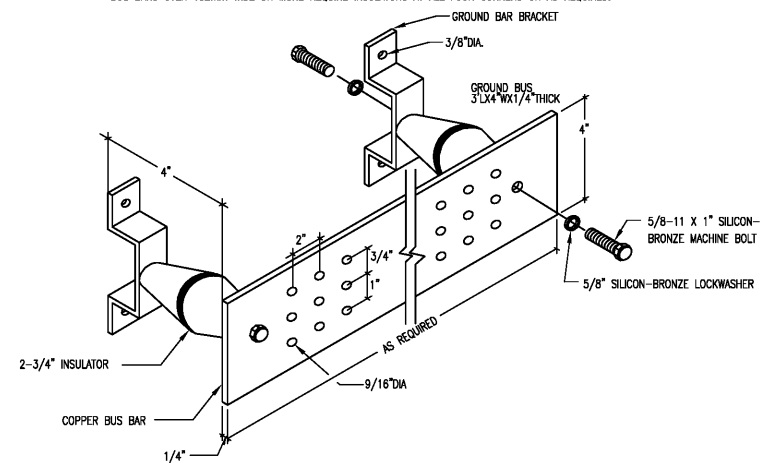
- 1. GROUNDING ELECTRODE SYSTEM SHALL BE IN ACCORDANCE WITH NEC ARTICLE 250
- 2. GROUNDING ELECTRODE CONDUCTORS SHALL BE CONTINUOUS AND NOT SPLICED.
- 3. GROUNDING ELECTRODE CONDUCTORS SHALL BE ENCLOSED FULL LENGTH GALVANIZED RIGID CONDUIT AS INDICATED.
- 4. GROUNDING ELECTRODE CONDUCTORS SHALL BE BARE COPPER.
- 5. ALL BUSHINGS INSTALLED IN DIRECT CONTACT WITH EARTH SHALL BE APPROVED FOR THE PURPOSE.
- 6. GROUND CONNECTIONS BELOW GRADE SHALL BE EXOTHERMICALLY WELDED TYPE.
- 7. PROVIDE GROUNDING JUMPERS FROM COLD WATER PIPING TO HOT WATER PIPING AT EACH WATER HEATER. PROVIDE GROUNDING JUMPERS AT EACH INSULATED JOINT OR ANY PLACE WHERE GROUND IS BROKEN TO MAINTAIN INTEGRITY OF GROUNDING SYSTEM.



② DETAIL - SERVICE ENTRANCE GROUNDING INSTALLATION
NO SCALE

NOTES:

- 1. ALL GROUNDING AND BONDING SHALL BE IN ACCORDANCE WITH THE NEC AND UL STANDARDS.
- 2. ALL DIMENSIONING INDICATED IN THESE DOCUMENTS ARE FOR REFERENCE AND COORDINATION PURPOSES ONLY. THE CONTRACTOR IS RESPONSIBLE FOR VERIFYING ALL DIMENSIONS IN THE FIELD.
- 3. ALL GRO ELECTRODES OR BONDING CONDUCTORS INSTALLED ALONE WITHIN A RACEWAY SHALL UTILIZE GRC WITH GROUNDING BUSHINGS AT EACH END. THIS GROUND CONDUCTOR SHALL LOOP THROUGH THE BUSHING LUG PRIOR TO TERMINATION.
- 4. LENGTH OF BUS BAR SHALL BE AS REQUIRED BY NUMBER OF CONDUCTOR CONNECTIONS PLUS 25% SPARE CAPACITY SPACE OR AS SPECIFIED OTHERWISE.
- 5. BUS BARS OVER 20" IN LENGTH REQUIRE AT LEAST ONE ADDITIONAL 2-3/4" INSULATOR SUPPORT OR AS REQUIRED. BUS BARS OVER 152mm WIDE OR MORE REQUIRE INSULATORS AT ALL FOUR CORNERS OR AS REQUIRED.



③ DETAIL - TYPICAL GROUND BUS INSTALLATION
NO SCALE

CIP-2017-001
 UPGRADES TO THE MOBILE COUNTY METRO JAIL
 For The MOBILE COUNTY COMMISSION
 MOBILE, ALABAMA



DRAWN	J.C.T.	CHECK	K.A.S.
DATE	April 2, 2019 RTA		
REVISED			
REVISED			

SHEET TITLE	ELECTRICAL GROUNDING DETAILS
JOB NO.	PH&J 1801-GV
SEQUENCE NO.	174 OF 175

E8.1

© PH&J ARCHITECTS, INC.
ALL RIGHTS RESERVED

architects inc.
 Montgomery, Alabama