

LIGHTING FIXTURE SCHEDULE						
TYPE	MANUFACTURER NUMBER AND EQUALS:	VOLTAGE:	MOUNTING:	LAMP TYPE:	LAMP QUANTITY:	DESCRIPTION:
DS45	RECALL NO. SGT-4-LED-48.0K-DV-4.1 OR PRIOR APPROVED EQUALS	MVOLT	SURFACE	LED	4,500 LUMEN	SURFACE MOUNTED DETENTION GRADE LED LIGHT. CONTRACTOR TO COORDINATE CORRECT MOUNTING REQUIREMENTS WITH DETENTION CEILING PROVIDED BY GENERAL CONTRACTOR.
DS87	RECALL NO. SGT-4-LED-84.0K-DV-4.1 OR PRIOR APPROVED EQUALS	MVOLT	SURFACE	LED	8,700 LUMEN	SURFACE MOUNTED DETENTION GRADE LED LIGHT. CONTRACTOR TO COORDINATE CORRECT MOUNTING REQUIREMENTS WITH DETENTION CEILING PROVIDED BY GENERAL CONTRACTOR.
DW87	RECALL NO. SGT-4-3-LED-84.0K-DV-4.1-WL OR PRIOR APPROVED EQUALS	MVOLT	WALL	LED	8,700 LUMEN	SURFACE MOUNTED DETENTION GRADE LED LIGHT. CONTRACTOR TO COORDINATE CORRECT MOUNTING REQUIREMENTS WITH DETENTION CEILING PROVIDED BY GENERAL CONTRACTOR. MOUNTING IN STAINLESS STEEL.
DW15	RECALL NO. WGD-4-LED-84.0K-DV-4.1 OR PRIOR APPROVED EQUALS	MVOLT	WALL	LED	7,500 LUMEN	DETENTION GRADE LED LIGHT WALL MOUNTED LIGHT
EL	LITHONIA NO. ZL10-L8-SMR-5000LM-FST-MVOLT-4000K OR PRIOR APPROVED EQUALS BY WILLIAMS OR METALUX	MVOLT	WALL	LED	5,000 LUMEN	SURFACE MOUNTED 4" LED STRIP CHAIN HANG WHERE SURFACE MOUNT NOT POSSIBLE
L1	PARKER NO. PH6A-R280-150W OR PRIOR APPROVED EQUALS	MVOLT	PENDANT	LED	16,800 LUMENS	ROUND PENDANT MOUNTED LED FIXTURE WITH ANTI-GLARE PROVIDE WITH HOOK AND COORD ASSEMBLY AND SAFETY CHAINS
LG44	METALUX NO. 22P140C OR PRIOR APPROVED EQUALS BY WILLIAMS & LITHONIA	MVOLT	RECESSED	LED	4,400 LUMEN	2X2' LED FLAT PANEL
LG48	METALUX NO. 24P140C OR PRIOR APPROVED EQUALS BY WILLIAMS & LITHONIA	MVOLT	RECESSED	LED	4,800 LUMEN	2X4' LED FLAT PANEL
LG88	METALUX NO. 24P1840C OR PRIOR APPROVED EQUALS BY WILLIAMS & LITHONIA	MVOLT	RECESSED	LED	8,800 LUMEN	2X4' LED FLAT PANEL
LS1	LITHONIA NO. ZL10-L8-SMR-5000LM-FST-MVOLT-4000K OR PRIOR APPROVED EQUALS BY WILLIAMS OR METALUX	MVOLT	SURFACE OR CHAIN	LED	5,000 LUMEN	SURFACE MOUNTED 4" LED STRIP CHAIN HANG WHERE SURFACE MOUNT NOT POSSIBLE
PL1	US ARCHITECTURAL NO. R2R-PL-LED-III-W-86LED-100MA-NV-277 SF SURGE PROTECTION BALDWIN 32' OCTAGONAL DIRECT BURIED CONCRETE POLE OR PRIOR APPROVED EQUALS	277	POLE 1-HEAD	LED	20,000 LUMEN	ONE HEAD LED SITE LIGHT MOUNTED ON 32' CONCRETE POLE. MOUNTING HEIGHT SHALL BE 25' ONCE POLE IS BURIED.
PL2	US ARCHITECTURAL NO. (TWO) R2R-PL-LED-III-W-86LED-100MA-NV-277 SF SURGE PROTECTION BALDWIN 32' OCTAGONAL DIRECT BURIED CONCRETE POLE OR PRIOR APPROVED EQUALS	277	POLE 2-HEAD	LED	20,000 LUMEN	TWO HEAD 180 DEGREE APART LED SITE LIGHT MOUNTED ON 32' CONCRETE POLE. MOUNTING HEIGHT SHALL BE 25' ONCE POLE IS BURIED.
SL1	ELP LEXA-MOD (277V) EQUALS BY BK OR COLE	277	STEP RECESSED	LED	100 LUMEN	MET LOCATION P/L X 6" IN WALL RECESSED LED STEPLIGHT WITH INTEGRAL DRIVER. COLOR BY ARCHITECT. PROVIDE WITH OVERLAP IRM.
WS1	RECALL NO. TMTS-3-7-DB-36L-40K-DV OR PRIOR APPROVED EQUALS BY FAL SAFE	MVOLT	WALL	LED	4,000 LUMEN	VANDAL RESISTANT LED WALL PACK FOR DETENTION AREAS
WP1	LITHONIA NO. CSXW-LED-300-100-400K-15M-MVOLT-100SD OR PRIOR APPROVED EQUALS BY WILLIAMS OR COOPER	MVOLT	WALL	LED	7,800 LUMEN	LED WALL PACK
WP2	LITHONIA NO. CSXW-LED-300-100-400K-15M-MVOLT-100SD OR PRIOR APPROVED EQUALS BY WILLIAMS OR COOPER	MVOLT	WALL	LED	11,500 LUMEN	LED WALL PACK
EXIT SIGN	LITHONIA LGM-W-120217-ELNBD OR PRIOR APPROVED EQUAL BY EMERGLITE, MORNHEIM, OR PRESOLITE	MVOLT	UNIVERSAL	LED	WITH UNIT	THEMOPLASTIC LED EXIT SIGN. PROVIDE WITH NUMBER OF FACES AND DIRECTIONAL ARROWS AS SHOWN ON DRAWINGS. COORDINATE COLOR OF SIGNAGE WITH LOCAL REQUIREMENTS. PROVIDE WITH EMERGENCY BATTERY.
EXIT SIGN 'DT'	RECALL NO. MIMEX-3-G-DT-1 OR PRIOR APPROVED EQUAL BY FAL SAFE OR PHILIPS	MVOLT	UNIVERSAL	LED	WITH UNIT	THEMOPLASTIC LED EXIT SIGN. PROVIDE WITH NUMBER OF FACES AND DIRECTIONAL ARROWS AS SHOWN ON DRAWINGS. COORDINATE COLOR OF SIGNAGE WITH LOCAL REQUIREMENTS. PROVIDE WITH EMERGENCY BATTERY.

Order Plans @ www.ljdw.com

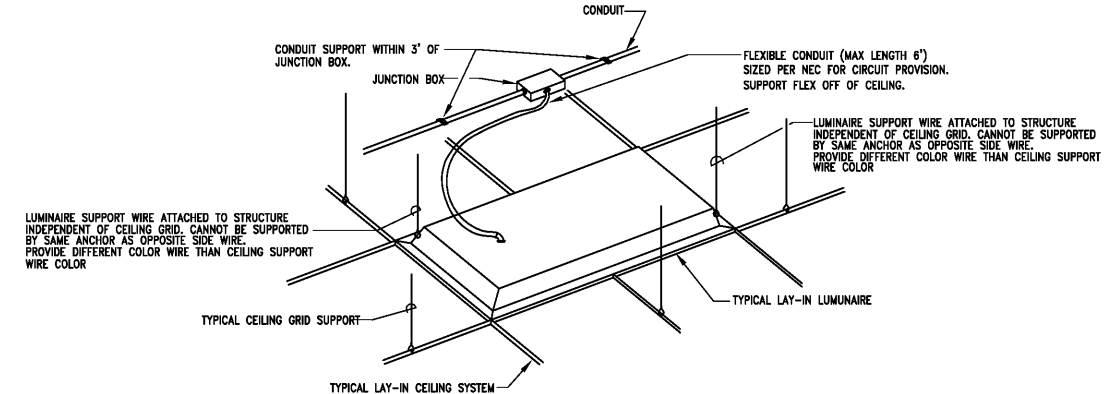
NOTES:
 1. ARCHITECT RESERVES THE RIGHT TO SELECT ALL COLORS OR MAKE CUSTOM COLOR DURING SHOP DRAWING REVIEW. BID ACCORDINGLY.
 2. COORDINATE MOUNTING OF ALL LUMINAIRES WITH ARCHITECTURAL ELEVATIONS PRIOR TO INSTALLATION.
 3. FOR WARRANTY AND LONG TERM SUPPORT FOR OWNER, ALL LIGHTING FIXTURES SHALL BE PURCHASED THROUGH MANUFACTURER REPRESENTATIVES LOCATED IN THE STATE OF ALABAMA. SUBMITTALS RECEIVED THAT DO NOT COMPLY WITH THIS REQUIREMENT WILL BE REJECTED WITHOUT REVIEW. THE ELECTRICAL CONTRACTOR SHALL BE RESPONSIBLE FOR ANY DELAYS CAUSED BY NON COMPLIANCE WITH THIS REQUIREMENT.
 4. ALL INTERIOR LIGHTS SHALL HAVE 4000K TEMPERATURE LAMPS, UNLESS NOTED OTHERWISE.
 5. ALL EXTERIOR LIGHTS SHALL HAVE 4000K TEMPERATURE LAMPS.

LUMINAIRE NOTES:

- ALL LUMINAIRES AND INSTALLATION SHALL BE IN ACCORDANCE WITH NEC, NFPA AND LOCAL CODES. ALL LUMINAIRES SHALL BE UL LISTED AND INSTALLED IN ACCORDANCE WITH THE UL LISTING.
- LUMINAIRES SHALL BE FURNISHED COMPLETE WITH THE PROPER LAMP BASE OR PIN RECEPTORS, WIRING COMPONENTS, LAMPS, SUPPORTING FRAMES AND DEVICES, ETC., FOR A COMPLETE INSTALLATION.
- ALL LUMINAIRE DEVICES, COMPONENTS, FITTINGS, SUPPORTS, ETC., SHALL BE COORDINATED TO PROVIDE A COMPLETE UL LISTED INSTALLATION.
- ALL LUMINAIRES BALLAST, DRIVERS, LAMPS, ETC SHALL BE COMPATIBLE WITH THE LIGHTING CONTROL SYSTEM OR DIMMING CONTROL SYSTEM PROVIDED.
- SECURE EACH LAY-IN LUMINAIRE AT TWO LOCATIONS TO THE CEILING GRID. PROVIDE BOLTS, SCREWS, RIVETS OR APPROVED CLIPS FOR USE WITH THE TYPE CEILING AND LUMINAIRE INSTALLED.
- ALL LUMINAIRES IN MECHANICAL AND ELECTRICAL ROOMS SHALL BE INSTALLED TO CLEAR ELECTRICAL EQUIPMENT, DUCT, PIPING, ETC., SUSPEND BELOW OBSTRUCTION WHEN CONFLICTS OCCUR.
- ALL FLUORESCENT LUMINAIRES SHALL BE PROVIDED WITH 3500K COLOR TEMPERATURE LAMPS, UNLESS NOTED OTHERWISE.
- PROVIDE ALL DUAL SWITCHED LUMINAIRES WITH DUAL BALLAST.
- LUMINAIRES WITH TWO SUB-SCRIPTS AN "a" AND "b" SHALL HAVE OUTSIDE TWO LAMPS CONTROLLED BY SWITCH OR RELAY POLE "a" AND INSIDE LAMP OR LAMPS CONTROLLED BY SWITCH OR RELAY POLE "b". SIMILARLY, OTHER SETS SUB-SCRIPTS SUCH AS "c, d, e, f, etc."
- ARCHITECT RESERVES THE RIGHT TO SELECT ALL COLORS FOR LUMINAIRES, POLES, MOUNTING ACCESSORIES, ETC. DURING SHOP DRAWING REVIEW.
- COORDINATE LUMINAIRE MOUNTING WITH ARCHITECTURAL ELEVATIONS PRIOR TO INSTALLATION.
- PROVIDE ALL EXIT SIGNS WITH DIRECTIONAL ARROWS AS SHOWN ON DRAWINGS.
- CONTRACTOR SHALL PROVIDE ALL ADAPTERS, FLANGE KITS, TRIMS, AND ALL OTHER MOUNTING ACCESSORIES AS NEEDED TO MOUNT EACH LUMINAIRE IN CEILING AS SHOWN. COORDINATE WITH ARCHITECTURAL REFLECTED CEILING PLANS.
- ALL EXIT SIGNS AND LUMINAIRES DESIGNATED AS EMERGENCY SHALL BE PROVIDED WITH A MINIMUM 900 LUMEN EMERGENCY BATTERY BALLAST CAPABLE OF 90 MINUTES OF ILLUMINATION.

NOTES:

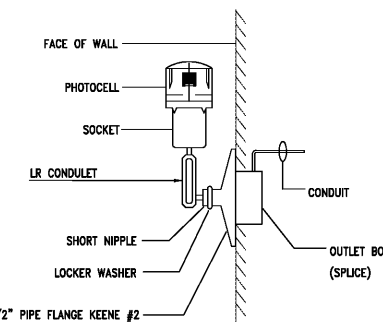
- ALL RECESSED LUMINAIRES SHALL BE WIRED FROM A JUNCTION BOX AS SHOWN, INCLUDING LUMINAIRES IN A CONTINUOUS ROW. NO WIRING THRU FIXTURES. NO MORE THAN TWO LUMINAIRES SHALL BE CIRCUITED TO ONE JUNCTION BOX.
- LUMINAIRE SUPPORT WIRES TO BE A MINIMUM OF #14 GAGE PRE-STRAINED GALVANIZED WIRE ATTACHED AT OPPOSITE CORNERS. LUMINAIRE SHALL BE SUPPORTED TO THE STRUCTURE INDEPENDENT OF THE CEILING GRID.
- CONDUCTORS IN FLEXIBLE CONDUIT FROM JUNCTION BOX TO LUMINAIRE SHALL CONTAIN AN INSULATED GREEN GROUND WIRE, WITH NEUTRAL AND PHASE CONDUCTORS REQUIRED FOR THE CIRCUITING AND SWITCHING REQUIREMENTS INDICATED.
- JUNCTION BOXES SHALL BE ACCESSIBLE AND LOCATED WITHIN 1'-6" ABOVE LAY-IN CEILING INSTALLATION. PROVIDE PENDANT ALL-THREAD RODS AND/OR STRUT ASSEMBLIES TO MEET THIS REQUIREMENT WHERE DROP CEILING IS MORE THAN 1'-6" FROM STRUCTURE.
- CONTRACTOR SHALL INSTALL ALL T-BAR SAFETY CLIPS TO GRID. IF FIXTURE DOES NOT COME WITH GRID SAFETY CLIPS, THEN THE CONTRACTOR SHALL PROVIDE SUPPORT WIRES ON ALL FOUR SIDES.



1 ES.1 NO SCALE
 DETAIL - TYPICAL LAY-IN LUMINAIRE INSTALLATION

NOTES:

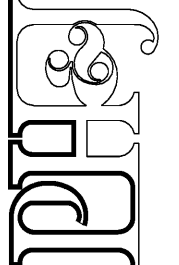
- PAINT CONDUIT NIPPLE, SOCKET AND PIPE FLANGE WITH TWO COATS OF ENAMEL.
- COMPLETE ASSEMBLY TO BE UL LISTED FOR WET LOCATIONS.
- PHOTOCELL TO BE MOUNTED FACING NORTH FREE FROM ALL SHADOWS WHICH MIGHT CAUSE PHOTOCELL TO TURN LIGHTS ON EARLY. CONTRACTOR SHALL COORDINATE PROPER MOUNTING LOCATION PRIOR TO INSTALLATION.



2 ES.1 NO SCALE
 DETAIL - INSTALLATION OF PHOTO-CELL

Gunn & Associates, P.C.
 Consulting Engineers
 3102 Highway 14
 Millbrook, AL 36054
 500 Southland Drive Suite 250
 Hoover, AL 35226
 Tel: 334.285.1273
 GAA18-192

PH&J architects inc. Montgomery, Alabama



CIP-2017-001
 UPGRADES TO THE MOBILE COUNTY METRO JAIL
 For The MOBILE COUNTY COMMISSION
 MOBILE, ALABAMA



DRAWN: J.C.T. CHECK: K.A.G.
 DATE: April 2, 2019 RTA
 REVISED:
 REVISED:

SHEET TITLE
 LIGHTING SCHEDULE,
 DETAILS, AND NOTES
 JOB NO.
 PH&J 1801-GV
 FREQUENCY
 NO. 168 OF 175

E6.0
 © PH&J ARCHITECTS, INC.
 ALL RIGHTS RESERVED