

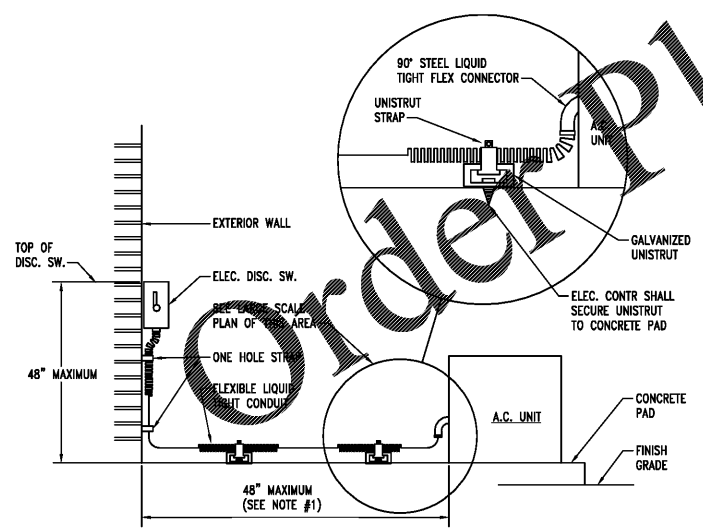
NOTE:
ALL CONDUITS/CIRCUITRY SHALL BE
CONCEALED IN THE CONCRETE SLABS.
BEHIND WALLS, OR IN CHASES.

GENERAL EQUIPMENT SCHEDULE

EQUIPMENT MARK:	EQUIPMENT DESCRIPTION:	VOLTAGE/PHASE:	ELECTRICAL CHARACTERISTICS:			DISCONNECT:	FUSE:	HOMERUN:	FEEDER:
			HP	KW	AMPS				
BPM 1-1 THRU 1-7	BLDG. PRESS. MONITOR	120V/1PH	---	0.200	---	TS	---	RP1CR-4	2#12 & 1#12GRD - 3/4"C
BPM 2-1 THRU 2-7	BLDG. PRESS. MONITOR	120V/1PH	---	0.200	---	TS	---	RP1CR-6	2#12 & 1#12GRD - 3/4"C
BPM 3-1 THRU 3-7	BLDG. PRESS. MONITOR	120V/1PH	---	0.200	---	TS	---	RP1CR-8	2#12 & 1#12GRD - 3/4"C
CON-1	CONTROL PANEL	120V/1PH	---	0.600	---	TS	---	RP1CR-12	2#12 & 1#12GRD - 3/4"C
CON-2	CONTROL PANEL	120V/1PH	---	0.600	---	TS	---	RP1CR-12	2#12 & 1#12GRD - 3/4"C
EF-A1	EXHAUST FAN	120V/1PH	---	0.077	---	TS	---	RP-MECH - 1	2#12 & 1#12GRD - 3/4"C
EF-A2	EXHAUST FAN	120V/1PH	---	0.077	---	TS	---	RP-MECH - 1	2#12 & 1#12GRD - 3/4"C
EF-A3	EXHAUST FAN	120V/1PH	---	0.077	---	TS	---	RP-MECH - 1	2#12 & 1#12GRD - 3/4"C
EF-B1	EXHAUST FAN	120V/1PH	---	0.077	---	TS	---	RP-MECH - 1	2#12 & 1#12GRD - 3/4"C
MD-ACD-1A-1	MOTORIZED DAMPER	120V/1PH	---	0.200	---	TS	---	RP1CR-2	2#12 & 1#12GRD - 3/4"C
MD-ACD-1A-2	MOTORIZED DAMPER	120V/1PH	---	0.200	---	TS	---	RP1CR-2	2#12 & 1#12GRD - 3/4"C
MD-ACD-1A-3	MOTORIZED DAMPER	120V/1PH	---	0.200	---	TS	---	RP1CR-2	2#12 & 1#12GRD - 3/4"C
ODHP-A1	DUCTLESS SPLIT SYSTEM	208V/1PH	---	---	25	60/2/3R	F	RP1-MECH - 12	2#8 & 1#10GRD - 1"C
ODHP-B1	DUCTLESS SPLIT SYSTEM	208V/1PH	---	---	25	60/2/3R	F	RP1-MECH - 14,16	2#8 & 1#10GRD - 1"C
ODHP-C1	DUCTLESS SPLIT SYSTEM	208V/1PH	---	---	25	30/2/3R	F	RP1-MECH - 18,20	2#10 & 1#10GRD - 3/4"C
OAU-1	ROOF MTD PACK. UNITS	480V/3PH	---	---	27	60/3/3R	F	PP1 - 1,3,5	3#8 & 1#10GRD - 1 1/4"C
OAU-2	ROOF MTD PACK. UNITS	480V/3PH	---	---	27	60/3/3R	F	PP1 - 7,9,11	3#8 & 1#10GRD - 1 1/4"C
OAU-3	ROOF MTD PACK. UNITS	480V/3PH	---	---	34	60/3/3R	F	PP1 - 13,15,17	3#8 & 1#10GRD - 1 1/4"C
OAU-4	ROOF MTD PACK. UNITS	480V/3PH	---	---	34	60/3/3R	F	PP1 - 19,21,23	3#8 & 1#10GRD - 1 1/4"C
OAU-5	ROOF MTD PACK. UNITS	480V/3PH	---	---	34	60/3/3R	F	PP1 - 25,27,29	3#4 & 1#10GRD - 1 1/2"C
RTU-1	ROOF TO UNIT	480V/3PH	---	---	40	60/3/3R	F	PP1 - 2,4,6	3#4 & 1#10GRD - 1 1/2"C
SEF-1A-1	SMOKE EVAC FAN	480V/3PH	5	---	---	30/3/3R	F	SEFA - 1,3,5	3#10 & 1#10GRD - 3/4"C
SEF-1A-2	SMOKE EVAC FAN	480V/3PH	5	---	---	30/3/3R	F	SEFA - 7,9,11	3#10 & 1#10GRD - 3/4"C
SEF-1B-1	SMOKE EVAC FAN	480V/3PH	5	---	---	30/3/3R	F	SEFA - 13,15,17	3#10 & 1#10GRD - 3/4"C
SEF-1B-2	SMOKE EVAC FAN	480V/3PH	5	---	---	30/3/3R	F	SEFA - 19,21,23	3#10 & 1#10GRD - 3/4"C
SEF-2A-1	SMOKE EVAC FAN	480V/3PH	3	---	---	30/3/3R	F	SEFA - 25,27,29	3#10 & 1#10GRD - 3/4"C
SEF-2A-2	SMOKE EVAC FAN	480V/3PH	3	---	---	30/3/3R	F	SEFA - 31,33,35	3#10 & 1#10GRD - 3/4"C
SEF-2B-1	SMOKE EVAC FAN	480V/3PH	5	---	---	30/3/3R	F	SEFA - 37,39,41	3#10 & 1#10GRD - 3/4"C
SEF-2B-2	SMOKE EVAC FAN	480V/3PH	5	---	---	30/3/3R	F	SEFA - 43,45,47	3#10 & 1#10GRD - 3/4"C
SEF-3A-1	SMOKE EVAC FAN	480V/3PH	5	---	---	30/3/3R	F	SEFA - 2,4,6	3#10 & 1#10GRD - 3/4"C
SEF-3A-2	SMOKE EVAC FAN	480V/3PH	3	---	---	30/3/3R	F	SEFA - 8,10,12	3#10 & 1#10GRD - 3/4"C
SEF-3A-3	SMOKE EVAC FAN	480V/3PH	3	---	---	30/3/3R	F	SEFA - 14,16,18	3#10 & 1#10GRD - 3/4"C
SEF-3B-1	SMOKE EVAC FAN	480V/3PH	3	---	---	30/3/3R	F	SEFA - 20,22,24	3#10 & 1#10GRD - 3/4"C
SEF-3B-2	SMOKE EVAC FAN	480V/3PH	3	---	---	30/3/3R	F	SEFA - 26,28,30	3#10 & 1#10GRD - 3/4"C
SEF-3B-3	SMOKE EVAC FAN	480V/3PH	3	---	---	30/3/3R	F	SEFA - 32,34,36	3#10 & 1#10GRD - 3/4"C
SEF-3B-3	SMOKE EVAC FAN	480V/3PH	3	---	---	30/3/3R	F	SEFA - 38,40,42	3#10 & 1#10GRD - 3/4"C
SP-1	SUMP PUMP	120V/1PH	0.5	---	---	TS	---	RP1A - 20	2#10 & 1#10GRD - 3/4"C
VRF-1	VRF (OUTSIDE)	208V/3PH	---	---	31	60/3/3R	F	RP1-MECH - 7,9,11	3#8 & 1#10GRD - 1 1/4"C
VRF-1-1	VRF (INSIDE)	208V/3PH	---	---	1	30/2/1	F	RP1-MECH - 6,8	2#12 & 1#12GRD - 3/4"C
VRF-1-2	VRF (INSIDE)	208V/3PH	---	---	1	30/2/1	F	RP1-MECH - 6,8	2#12 & 1#12GRD - 3/4"C
VRF-1-3	VRF (INSIDE)	208V/3PH	---	---	1	30/2/1	F	RP1-MECH - 6,8	2#12 & 1#12GRD - 3/4"C
VRF-1-4	VRF (INSIDE)	208V/3PH	---	---	1	30/2/1	F	RP1-MECH - 6,8	2#12 & 1#12GRD - 3/4"C
WH-1	DUPLEX GAS WATER HTR	120V/1PH	---	0.5	---	TS	---	RP1A - 18	2#12 & 1#12GRD - 3/4"C

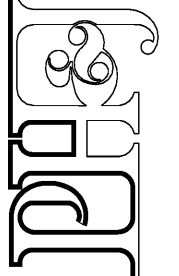
NOTES:
1. COORDINATE WITH MANUFACTURER'S CUTSHEETS OR NAMEPLATE DATA AND ADJUST OVERCURRENT PROTECTION AS NEEDED TO PROTECT EQUIPMENT PER MANUFACTURER'S RECOMMENDATIONS AND TO COMPLY WITH NEC AND ALL LOCAL CODES. COORDINATION SHALL BE DONE PRIOR TO BIDS AND ACCOUNTED FOR IN THE CONTRACTOR'S BID PRICE.
2. ALL DISCONNECTS SHALL BE HEAVY DUTY TYPE.
3. ALL FUSES SHALL BE SIZED PER NAMEPLATE DATA.
4. "NF" - NON-FUSED
5. "F" - FUSED
6. "TS" MANUAL MOTOR STARTER WITH THERMAL OVERLOAD ("W" - WEATHERPROOF) ("30-AMP" - 30-AMP RATED)
7. PROVIDE INTERCONNECTING RELAY SUCH THAT FAN IS CONTROLLED BY LIGHTING.
8. "WP" - WEATHERPROOF ENCLOSURE.

NOTE:
1. FOR DISTANCE GREATER THAN 48" CONDUIT TO BE ROUTED BELOW GRADE WITH 6" OF MECH. UNIT, STUB-UP W/ RIGID ELBOW THRU CONCRETE PAD, PROVIDE FLEXIBLE CONNECTION FROM ELBOW TO MECH. UNIT, W/ CONNECTION MADE AT UNIT AS SHOWN ABOVE.



1 MECHANICAL UNIT CONNECTION DETAIL
E3.8 NO SCALE

architects inc.
Montgomery, Alabama



CIP-2017-001
UPGRADES TO THE MOBILE COUNTY METRO JAIL
For The MOBILE COUNTY COMMISSION
MOBILE, ALABAMA



DRAWN: J.C.T. CHECK: K.A.S.
DATE: April 2, 2019 RTA
REVISED:
REVISED:

SHEET TITLE
GENERAL EQUIPMENT SCHEDULE

JOB NO.
PH&J 1801-GV

SEQUENCE NO. 152 OF 175

E3.8

Gunn & Associates, P.C.
Consulting Engineers
3102 Highway 14
Milledgeville, AL 36684
500 Southland Drive Suite 250
Hoover, AL 35226
Tel: 334.285.1273 FAX: 334.285.1273