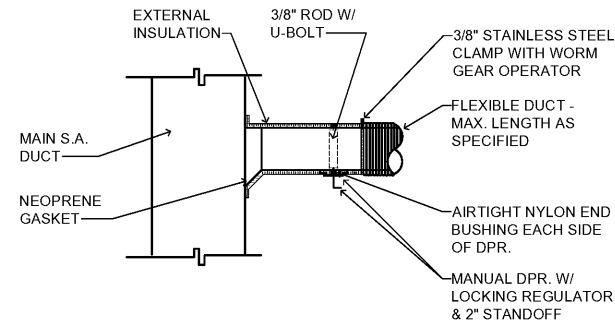


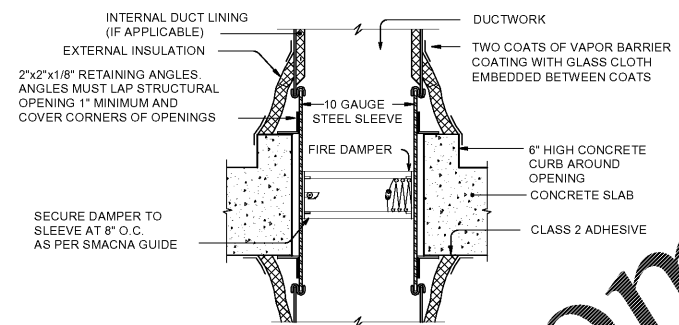
**DIFFUSER BOOT/PLENUM CONNECTION DETAIL**

NOT TO SCALE  
\* DENOTES THE REQUIREMENT OF AN AIR TIGHT SEAL AT THIS LOCATION



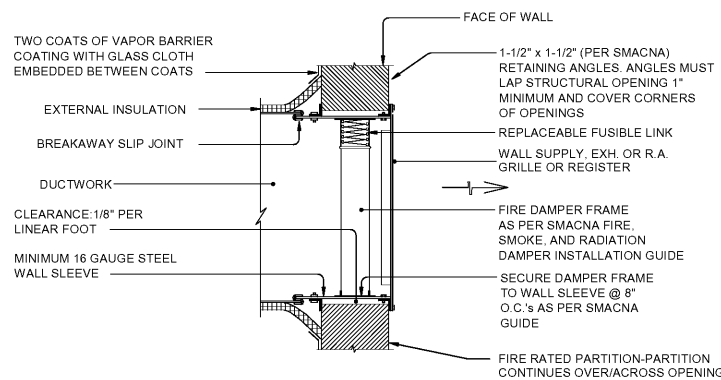
**ROUND BRANCH DUCT TAKE-OFF DETAIL**

NOT TO SCALE  
RECTANGULAR RUNOUTS SAME EXCEPT WITH RECTANGULAR DUCT



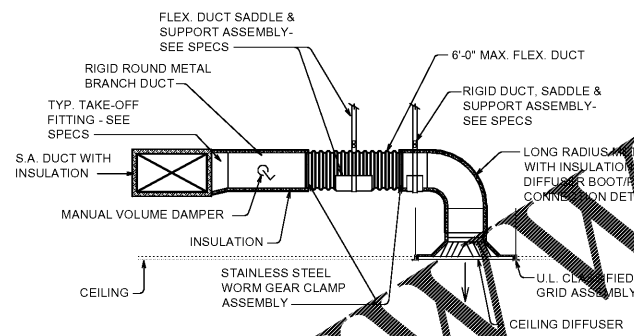
**FLOOR FIRE DAMPER INSTALLATION DETAIL**

NOT TO SCALE  
SYMBOL  
◆ DENOTES HORIZONTAL ACTION FIRE DAMPER



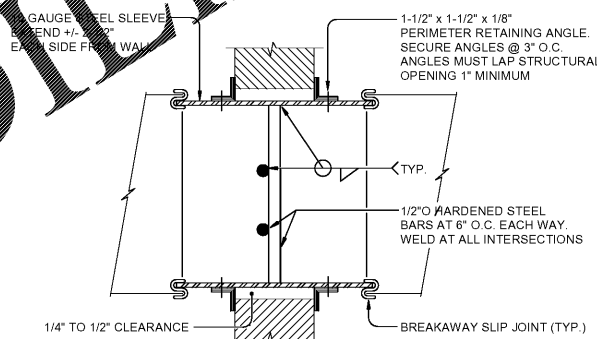
**FIRE DAMPER INSTALLATION DETAIL AT WALL GRILLE/REGISTER**

NOT TO SCALE  
NOTE !!  
DOUBLE FACE WALL GRILLE INSTALLATION SAME EXCEPT WITHOUT DUCT



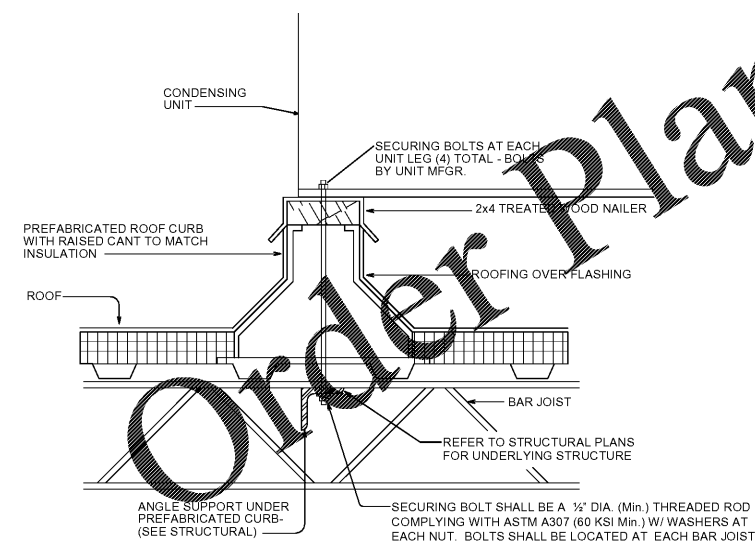
**TYPICAL DIFFUSER RUN-OUT CONN.**

NOT TO SCALE



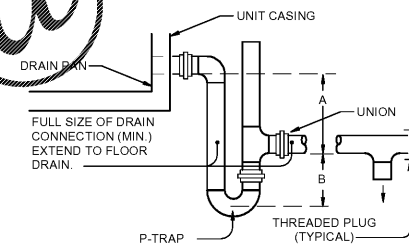
**TYPICAL SECURITY BARS INSTALLATION AT INTERIOR PARTITIONS, WALLS AND FLOORS**

NO SCALE  
NOTES:  
1. DETAIL APPLIES TO ALL DUCT ABOVE AND BELOW THE CEILING.  
2. PROVIDE AT ANY PENETRATION GREATER THAN OR EQUAL TO 6x6  
3. OPTION - CONTRACTOR MAY PROVIDE A FACTORY FABRICATED ASSEMBLY EQUAL TO TITUS SERIES SG-BG-FM WITH HORIZONTAL AND VERTICAL BARS. CONNECTIONS TO BARRIER SHALL BE AS SHOWN ABOVE



**TYPICAL DHP EQUIPMENT SUPPORT ROOF CURB DETAIL**

NO SCALE

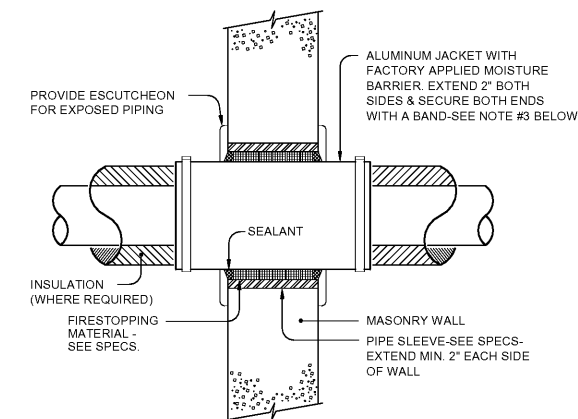


UNIT TYPE	A	B
DRAW-THRU	2" PLUS "X"	"X" PLUS 1"
BLOW-THRU	1" MINIMUM	2X PLUS 1"

WHERE "X" = AHU STATIC PRESSURE

**TYPICAL AIR HANDLING UNIT CONDENSATE DRAIN DETAIL**

NOT TO SCALE  
NOTES:  
1. CONTRACTOR SHALL PROVIDE DRAIN AS REQUIRED BY THE AIR HANDLING UNIT MANUFACTURER. IN ABSENCE OF THOSE REQUIREMENTS, CONTRACTOR SHALL PROVIDE DRAIN AS DETAILED ABOVE  
2. CONTRACTOR SHALL RAISE AIR HANDLING AS REQUIRED TO ALLOW FOR INSTALLATION OF THE DRAIN AS DETAILED ABOVE  
3. PROVIDE AN ELECTRIC SWITCH IN THE CONDENSATE DRAIN LINE, THAT CONFORMS TO UL 508, TO SHUT DOWN THE UNIT AND ALARM TO THE BUILDING ENERGY MANAGEMENT SYSTEM OPERATOR CONSOLE (IF APPLICABLE) SHOULD THE LINE BECOME OBSTRUCTED



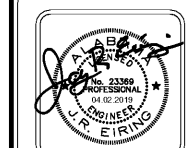
**REFRIGERANT PIPE PENETRATION DETAIL**

NOT TO SCALE  
NOTES:  
1. DETAIL APPLIES TO ALL PIPING ABOVE AND BELOW THE CEILING.  
2. AT GYPSUM BOARD WALLS, PROVIDE MINIMUM 16 GA. GALVANIZED STEEL SLEEVE WITH LOCKING TYPE LONGITUDINAL SEAM  
3. OMIT ALUMINUM JACKET IF PIPING IS UNINSULATED.  
4. FLOOR PENETRATION SIMILAR

**ZGOUVAS, EIRING & ASSOCIATES**  
CONSULTING ENGINEERS  
800 S. MODONOUGH STREET  
MONTGOMERY, AL. 36104  
334.263.4406  
ZEA PROJECT NUMBER 18-166

architects inc.  
Montgomery, Alabama

CIP-2017-001  
UPGRADES TO THE MOBILE COUNTY METRO JAIL  
For The MOBILE COUNTY COMMISSION  
MOBILE, ALABAMA



DRAWN: CW CHECK: TZ  
DATE: APRIL 2, 2019 RTA  
REVISED:  
REVISED:  
SHEET TITLE: HVAC DETAILS  
JOB NO.: PH&J#1801GV  
SEQUENCE NO.: 124 OF 175

M9  
© PH&J ARCHITECTS, INC. ALL RIGHTS RESERVED