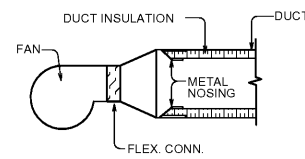


CEILING MOUNTED EXHAUST FAN CONN. DETAIL

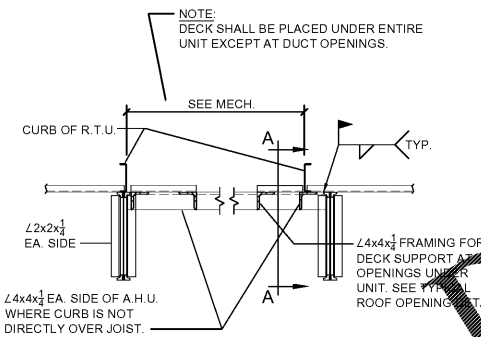
NO SCALE



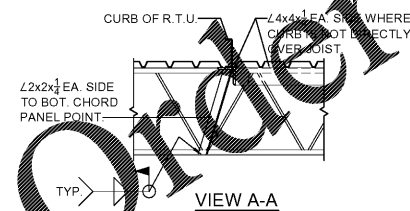
TYPICAL DUCT LINER INTERRUPTION DETAIL

NOT TO SCALE

NOTE !! THIS DETAIL APPLIES TO FIRE DAMPER INSTALLATION, WHERE DUCTS CONNECT TO FAN SECTION. ANYWHERE BARE DUCT LINER PROTRUDES INTO THE AIRSTREAM. ANY POINT WHERE LINED DUCT IS PRECEDED BY UNLINED DUCT, BARE DUCT INSULATION EDGES ARE EXPOSED IN THE RETURN AIR PLENUM, ETC. - SEE SPECS FOR ADDITIONAL REQUIREMENTS



TYPICAL RTU/100% OUTSIDE AIR UNITS CURB DETAIL



NOTE:

DETAIL ABOVE IS SHOWN TO INDICATE INTENT ON HOW THE ROOFTOP UNITS ARE TO BE ANCHORED - REQUIREMENTS ABOVE ARE BY THE GENERAL CONTRACTOR - REFER TO STRUCTURAL PLANS FOR SPECIFIC REQUIREMENTS

WALL MOUNTED DUCTLESS HEAT PUMP UNIT SCHEDULE

UNIT TYPE	DHP-A	DHP-B	DHP-C
MINIMUM TOTAL COOLING CAP. AT A.R.I. CONDITIONS - BTU/HR	35,000	12,000	24,000
MINIMUM HEATING CAP. (COMPRESSOR ONLY) AT 70°F INDOOR & 17°F AMBIENT - BTU/HR	25,000	7,600	18,000
INDOOR FAN CFM AT HIGH SPEED	900	230	750
INDOOR UNIT MCA - POWER	1.5A - 208V, 1 PH., 60 HZ.	1.5A - 208V, 1 PH., 60 HZ.	1.5A - 208V, 1 PH., 60 HZ.
OUTDOOR UNIT MCA (COMPRESSOR AND COND. FAN) - POWER	25.0A - 208V, 1 PH., 60 HZ.	9.0A - 208V, 1 PH., 60 HZ.	18.0A - 208V, 1 PH., 60 HZ.
OUTDOOR UNIT MOP (COMPRESSOR AND COND. FAN) - POWER	40.0A - 208V., - 1PH., 60HZ.	15.0A - 208V., - 1PH., 60HZ.	30.0A - 208V., - 1PH., 60HZ.
MINIMUM HSPF AT ARI 210/240 CONDS	9.3	10.0	10.8
MINIMUM S.E.E.R. AT ARI 210/240 CONDS	14.0	18.0	17.0
BASIS OF DESIGN	mitsubishi PKA / PUZ	mitsubishi MSZ / MUZ	mitsubishi PKA / PUZ

CEILING DIFFUSER SCHEDULE

SYMBOL	CFM RANGE	NECK SIZE INCHES	FACE SIZE INCHES	BRANCH DUCT SIZE	MAXIMUM NC VALUE	BASIS OF DESIGN
1	10 - 95	6" ROUND	24x24	6"Ø	20	TITUS TMS
2	100 - 180	8" ROUND	24x24	8"Ø	20	TITUS TMS
3	185 - 270	10" ROUND	24x24	10"Ø	20	TITUS TMS
4	275 - 400	12" ROUND	24x24	12"Ø	20	TITUS TMS
5	405 - 530	14" ROUND	24x24	14"Ø	20	TITUS TMS
6	535 - 625	15" ROUND	24x24	15"Ø	20	TITUS TMS

NOTES

- 1.) RUNOUTS/BRANCH DUCTS SHALL BE AS SCHEDULED ABOVE UNLESS NOTED OTHERWISE ON THE PLANS
- 2.) CONTRACTOR SHALL INSULATE THE EXTERIOR (BACK SIDE OF DIFFUSER PANEL) WITH 2" THICKNESS EXTERNAL DUCT INSULATION WITH CHARACTERISTICS SPECIFIED FOR EXTERNAL DUCT INSULATION.

EXHAUST/RETURN AIR REGISTER SCHEDULE

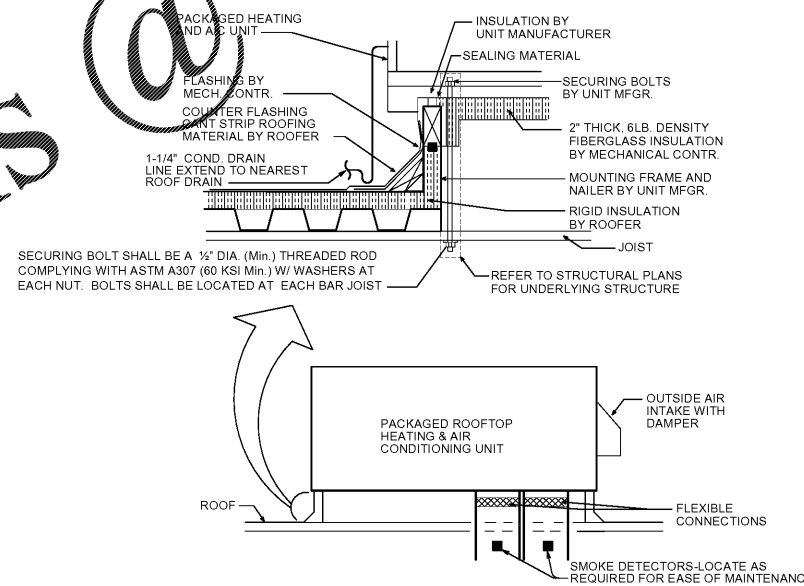
SYMBOL	CFM RANGE	SIZE - IN. x IN.	DESCRIPTION	MAXIMUM NC VALUE	BRANCH DUCT SIZE
1	0 - 140	9x9	CEILING EXH. OR RETURN REG.	20	9x6
2	141 - 240	12x12	CEILING EXH. OR RETURN REG.	20	12x7
3	241 - 340	14x14	CEILING EXH. OR RETURN REG.	20	14x7
4	341 - 460	16x16	CEILING EXH. OR RETURN REG.	20	16x9
5	461 - 600	18x18	CEILING EXH. OR RETURN REG.	20	18x10
6	601 - 760	20x20	CEILING EXH. OR RETURN REG.	20	20x12
7	761 - 940	24x24	CEILING EXH. OR RETURN REG.	20	24x12
8	941 - 1200	30x30	CEILING EXH. OR RETURN REG.	20	24x14
9	1201 - 1400	36x24	CEILING EXH. OR RETURN REG.	20	28x14

NOTES

- 1.) RUNOUTS/BRANCH DUCTS SHALL BE AS SCHEDULED ABOVE UNLESS NOTED OTHERWISE ON THE PLANS.
- 2.) 1, 2, 3 & 4 SHALL BE IN INTEGRAL 48x24 METAL CEILING PANEL AS SPECIFIED. ALL OTHERS SHALL BE IN INTEGRAL 24x24 METAL CEILING PANEL AS SPECIFIED.

ELECTRIC UNIT HEATER SCHEDULE

HEATER TYPE	DESCRIPTION	AIR QUANTITY - CFM	MINIMUM CAPACITY - KW	FAN HP	FAN MAX RPM	POWER			NUMBER OF CONTROL STEPS	REMARKS
						VOLTS	PHASE	HERTZ		
EUH-A	CABINET TYPE, VERTICAL WALL TYPE	300	3	1/20	1550	480	3	60	ONE	

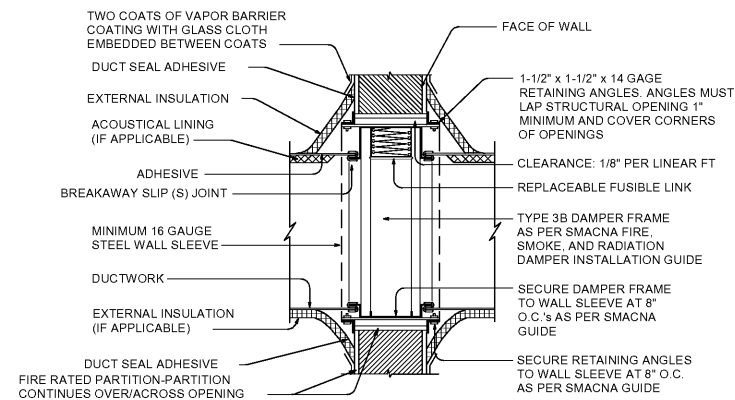


PACKAGED ROOFTOP HEATING & AIR CONDITIONING UNIT CONNECTION DETAIL

NOT TO SCALE

NOTES:

- 1.) 100% OUTSIDE AIR UNITS SAME
- 2.) SEE PLANS FOR SMOKE DETECTOR LOCATIONS



WALL MOUNTED FIRE DAMPER DETAIL

NOT TO SCALE

NOTES:

- 1.) PROVIDE FIRE DAMPERS IN ALL DUCTS PENETRATING FIRE RATED WALLS, CEILINGS, FLOORS AND ANY TYPE OF RATED ASSEMBLY - REFER TO ARCHITECTURAL DRAWINGS FOR LOCATIONS OF FIRE RATINGS.
- 2.) VERTICAL ACTION INSTALLATION SHOWN. HORIZONTAL ACTION DAMPER INSTALLATION SIMILAR

SYMBOLS

- ▶ DENOTES VERTICAL ACTION FIRE DAMPER
- ◀ DENOTES HORIZONTAL ACTION FIRE DAMPER



ZGOUVAS, EIRING & ASSOCIATES
CONSULTING ENGINEERS
800 S. MONROUE STREET
MONTGOMERY, AL. 36104
334.283-4406
ZEA PROJECT NUMBER 18-166

CIP-2017-001
UPGRADES TO THE MOBILE COUNTY METRO JAIL
FOR THE MOBILE COUNTY COMMISSION
MOBILE, ALABAMA



DRAWN	CW	CHECK	TZ
DATE	APRIL 2, 2019 RTA		
REVELO			
REVELO			
SHEET TITLE			
HVAC SCHEDULES AND DETAILS			
JOB NO.			
PH&J#1801GV			
SEQUENCE NO. 123 OF 175			



© PH&J ARCHITECTS, INC. ALL RIGHTS RESERVED

architects inc.
Montgomery, Alabama