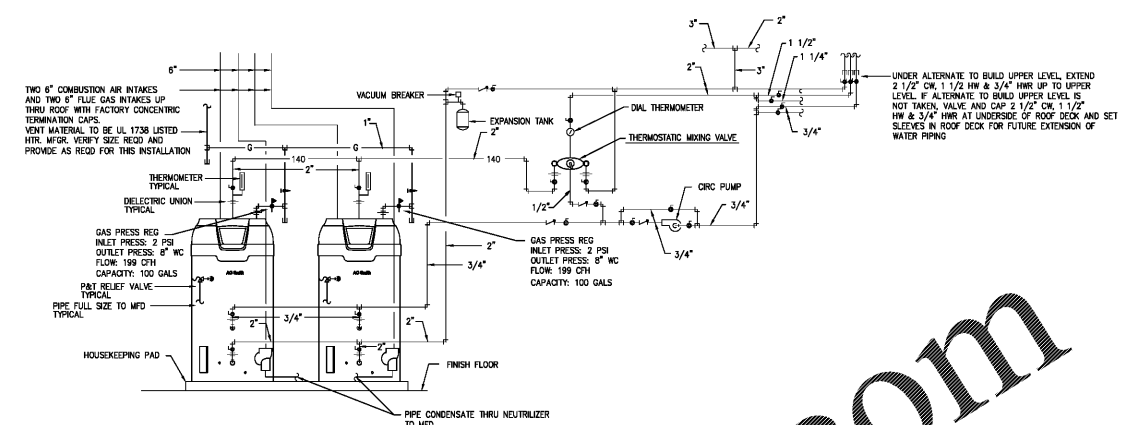


PLUMBING FIXTURE CONNECTION SCHEDULE					
MARK	FIXTURE	WASTE	CW	HW	REMARKS
P-1	WATER CLOSET	4"	1"	-	FLOOR MOUNTED, FLUSH VALVE
P-2	WATER CLOSET	4"	1"	-	FLOOR MOUNTED, ADA COMPLIANT FLUSH VALVE RIGHT HAND ROUGH
P-3	WATER CLOSET	4"	1"	-	FLOOR MOUNTED, ADA COMPLIANT FLUSH VALVE LEFT HAND ROUGH
P-4	URNAL	2"	3/4"	-	WALL HUNG, FLUSH VALVE, UP 17" A.F.F.
P-5	LAVATORY	1 1/4"	1/2"	1/2"	WALL HUNG, ADA COMPLIANT, RM 34" A.F.F.
P-6	SINK	1 1/2"	1/2"	1/2"	COUNTERTOP, GOOSENECK FAUCET
P-7	SINK	1 1/2"	1/2"	1/2"	COUNTERTOP, GOOSENECK FAUCET WITH WRIST BLADE CONTROLS
P-8	ELECTRIC WATER COOLER	1 1/4"	1/2"	-	WALL HUNG, ADA BI-LEVEL
P-9	SECURITY SHOWER	SD	1/2"	1/2"	ADA
P-10	JANITOR'S RECEPTOR	3"	1/2"	1/2"	-
P-11	EYE WASH	1 1/2"	-	-	PIPE H&CW THRU MIXING VALVE TO UNIT
P-12	ICE MAKER BOX	-	1/2"	-	-
P-13	WASHING MACHINE BOX	2"	1/2"	1/2"	-
P-14	SECURITY FIXTURE	3"	1"	1/2"	BACK OUTLET
P-15	SECURITY FIXTURE	3"	1"	1/2"	BACK OUTLET ADA COMPLIANT RIGHT HAND LAVATORY
P-16	SECURITY FIXTURE	3"	1"	1/2"	BACK OUTLET, ADA COMPLIANT, LEFT HAND LAVATORY
P-17	EASTERN STYLE TOILET	3"	1"	-	REMOVE FLUSH VALVE WITH WALL BOX
P-18	SHOWER	SD	1/2"	1/2"	ADA
P-19	WATER CONTROL MODULE	-	1/2"	1/2"	PLUMBER SHALL PROVIDE MODULE, TRANSFORMER, WIRING & PIPING TO EACH FIXTURE FOR A COMPLETE SYSTEM. SEE SPECIFICATIONS-INSTALL, ADV. CLG.
P-20					

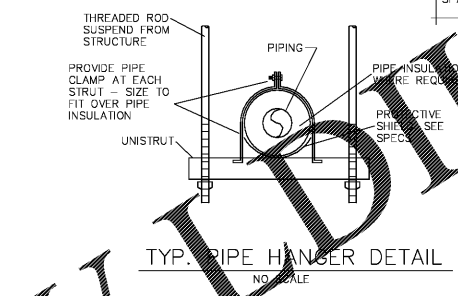
PLUMBING LEGEND	
---	SOIL OR WASTE LINE
---	VENT LINE
-S-	STORM LINE
---	COLD WATER LINE
---	HOT WATER LINE
---	HOT WATER RETURN LINE
G	GAS LINE
G	GAS COCK
●	BALL VALVE
+	UNION
○	PIPE TURNING UP
○	PIPE TURNING DOWN
P	P TRAP
⊙	FLOOR DRAIN
⊙	MFD MECHANICAL FLOOR DRAIN
⊙	RD ROOF DRAIN
⊙	OF RD OVERFLOW ROOF DRAIN
P-#	PLUMBING FIXTURE NUMBER
RISER	RISER DIAGRAM NUMBER
AFF	ABOVE FINISH FLOOR
CO	CLEAN OUT
WS	WASTE STACK
SS	SOIL STACK
VS	VENT STACK
RL	RAIN LEADER
VSTR	VENT STACK THRU ROOF
CW	COLD WATER
HW	HOT WATER
UR	URNAL
WC	WATER CLOSET
LAV	LAVATORY
EWC	ELECTRIC WATER COOLER
EX	EXISTING
EXIST.	EXISTING
HB	HOSE BIBB
WH	WALL HYDRANT
NP CW	NON-POTABLE COLD WATER
RZBP	REDUCED PRESSURE ZONE BACKFLOW PREVENTER
INVT	INVERT
SSTR	SOIL STACK THRU ROOF
WSTR	WASTE STACK THRU ROOF



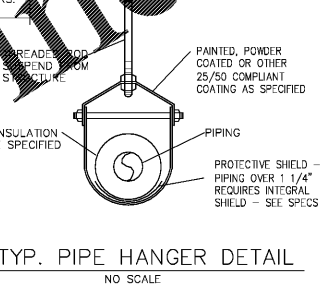
DETAIL OF PIPING AT DUPLEX WATER HEATERS
NO SCALE

NOTES

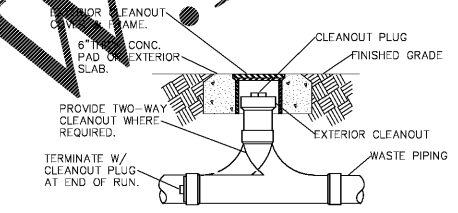
- ROUGH WATER CLOSET AND URINAL FLUSH VALVE SO THAT THE FLUSH TUBE IS VERTICALLY STRAIGHT.
- PROVIDE A DEEP SEAL P-TRAP FOR EACH FLOOR DRAIN AND HUB DRAIN.
- PROVIDE A VACUUM BREAKER FOR EACH WALL HYDRANT AND HOSE BIBB.
- RUN ALL WATER PIPING WITHIN BUILDING INSULATION ENVELOPE.
- COORDINATE ALL PIPING RUNS WITH THE ELECTRICAL CONTRACTOR. DO NOT RUN PIPING OVER ELECTRICAL TRANSFORMERS, PANELS AND EQUIPMENT. MAINTAIN CLEARANCE AS REQUIRED BY THE NATIONAL ELECTRICAL CODE. (GENERALLY MIN. 3 FEET).
- ALL WASTE AND VENT PIPING INSIDE RETURN AIR PLenums SPACES SHALL BE CAST IRON PIPE AND FITTINGS AS SPECIFIED.
- MAINTAIN MIN. OF 10 LINEAR FEET FROM PLUMBING VENTS TO HVAC FRESH AIR (OUTSIDE AIR) INTAKES.
- H/C - HANDICAP - FIXTURES AND INSTALLATION SHALL MEET AMERICANS WITH DISABILITIES ACT (A.D.A.) REQUIREMENTS.
- FLUSH VALVE HANDLE FOR HANDICAP WATER CLOSET SHALL BE LOCATED ON WIDE SIDE OF TOILET STALL AREA TO MEET A.D.A. REQUIREMENTS.
- ROUGH HANDICAP WATER CLOSET 18" FROM FINISHED WALL TO CENTERLINE OF WATER CLOSET. MEASURE FROM FACE OF SHORT SIDE OF STALL TO FINISHED WALL.
- PROVIDE A READILY ACCESSIBLE CLEANOUT AT OR NEAR THE BASE OF EACH WASTE AND VENT STACK PER PLUMBING CODE AND SPECS.
- WATER SUPPLY SYSTEM IS DESIGNED FOR STATIC PRESSURE OF 50 TO 75 PSI. GAUGE CITY WATER SUPPLY TO VERIFY THAT THE PRESSURE IS WITHIN THOSE LIMITS. PROVIDE WATER PRESSURE REDUCING VALVE, IF REQUIRED TO MEET DESIGNED WATER PRESSURE.
- PROVIDE A BALL VALVE ON EACH END OF EVERY DIELECTRIC UNION TO FACILITATE ITS REMOVAL.



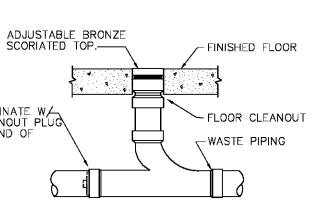
TYP. PIPE HANGER DETAIL
NO SCALE



TYP. PIPE HANGER DETAIL
NO SCALE



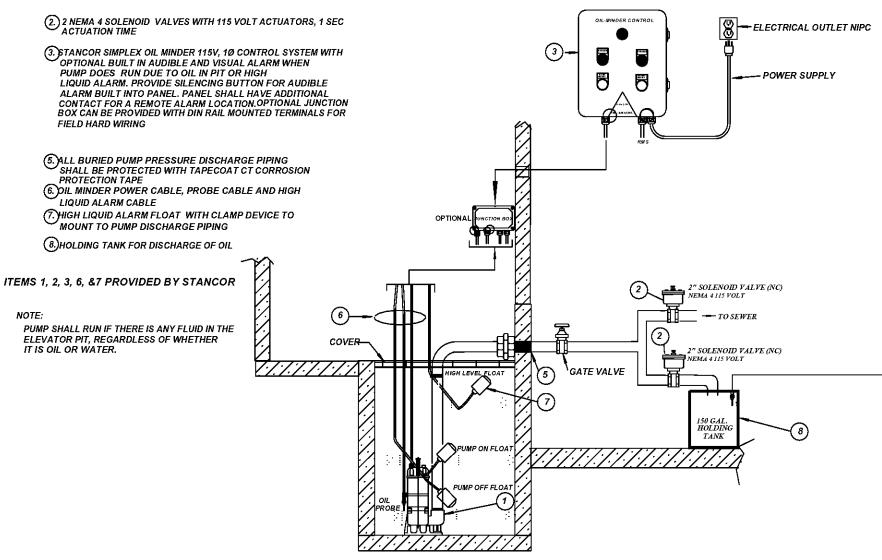
TYP. EXTERIOR CLEANOUT DETAIL
NO SCALE



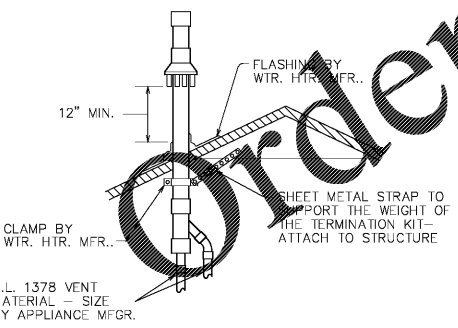
TYP. FLOOR CLEANOUT DETAIL
NO SCALE

- STANCOR MODEL SE-50 SUBMERSIBLE EFFLUENT PUMP, 50GPM, 5 HP, 115 VOLT, 3600 RPM, 2" DISCHARGE CONNECTION.
- 2 NEMA 4 SOLENOID VALVES WITH 115 VOLT ACTUATORS, 1 SEC ACTUATION TIME
- STANCOR SIMPLEX OIL MINDER 115V, 10 CONTROL SYSTEM WITH OPTIONAL BUILT IN AUDIBLE AND VISUAL ALARM WHEN PUMP DOES RUN DUE TO OIL IN PIT OR HIGH LIQUID ALARM. PROVIDE SILENCING BUTTON FOR AUDIBLE ALARM BUILT INTO PANEL. PANEL SHALL HAVE ADDITIONAL CONTACT FOR A REMOTE ALARM LOCATION. OPTIONAL JUNCTION BOX CAN BE PROVIDED WITH DIN RAIL MOUNTED TERMINALS FOR FIELD HARD WIRING
- ALL BURIED PUMP PRESSURE DISCHARGE PIPING SHALL BE PROTECTED WITH TAPECOAT CT CORROSION PROTECTION TAPE
- OIL MINDER POWER CABLE, PROBE CABLE AND HIGH LIQUID ALARM CABLE
- HIGH LIQUID ALARM FLOAT WITH CLAMP DEVICE TO MOUNT TO PUMP DISCHARGE PIPING
- HOLDING TANK FOR DISCHARGE OF OIL

SUMP PUMP DIAGRAM - ELEVATOR DIAGRAM



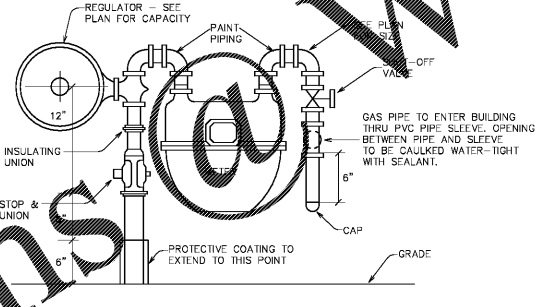
TYPICAL GAS PIPING CONN. DETAIL
NOT TO SCALE



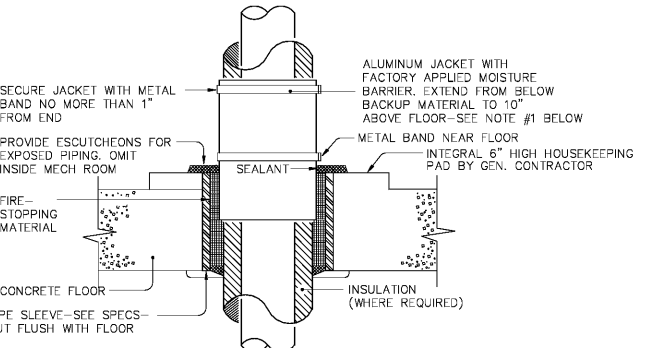
TYP. WATER HEATER CONCENTRIC VENT THRU ROOF DETAIL
NO SCALE

NOTE !!! ENTIRE ASSEMBLY BY WATER HEATER MANUFACTURER - SHEET METAL STRAPS BY P.B.G. CONTR. - COMBUSTION AIR AND VENT SIZES REQUIRED SHALL BE COORDINATED WITH THE HEATER MANUFACTURER REQUIREMENTS

TYPICAL GAS METER PIPING DETAIL
NO SCALE

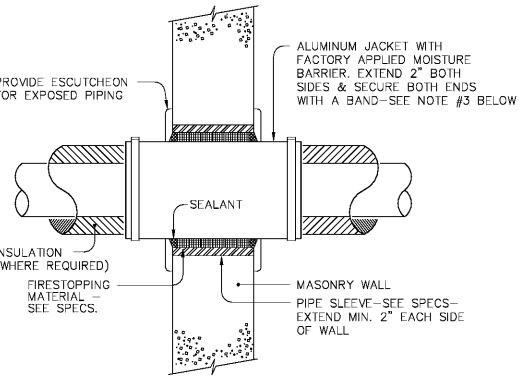


GAS METER AND REGULATOR ASSEMBLY AND UPSTREAM PIPING BY LOCAL GAS CO. COORDINATE AND PAY ANY AND ALL COST ASSOCIATED WITH SERVICE AND INSTALLATION.



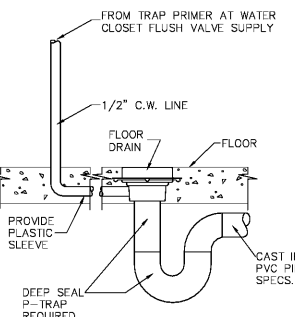
FLOOR PIPE PENETRATION DETAIL
NOT TO SCALE

NOTES:
1.) OMIT ALUMINUM JACKET IF PIPING IS UNINSULATED

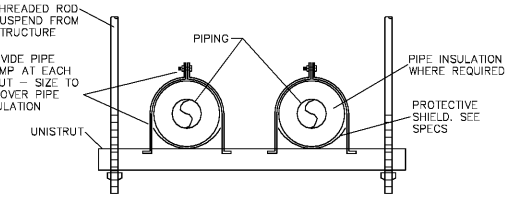


INTERIOR WALL PIPE PENETRATION DETAIL
NOT TO SCALE

NOTES:
1. DETAIL APPLIES TO ALL PIPING ABOVE AND BELOW THE CEILING.
2. AT GYPSUM BOARD WALLS, PROVIDE MINIMUM 16 GA. GALVANIZED STEEL SLEEVE WITH LOCKING TYPE LONGITUDINAL SEAM.
3. OMIT ALUMINUM JACKET IF PIPING IS UNINSULATED.

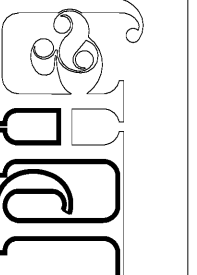


TRAP PRIMER DETAIL
NO SCALE



TYP. PIPE HANGER DETAIL
NO SCALE

architects inc.
Montgomery, Alabama



CIP-2017-001
UPGRADES TO THE MOBILE COUNTY METRO JAIL
For The MOBILE COUNTY COMMISSION
MOBILE, ALABAMA



DRAWN	CW	CHECK	TZ
DATE	APRIL 2, 2019 RTA		
REVISED			
REVISED			
SHEET TITLE PLUMBING SCHEDULES & DETAILS			
CSB NO.	PH&J#1801GV		
SEQUENCE	185	OF	175

P1

ZGOUVAS, EIRING & ASSOCIATES
CONSULTING ENGINEERS
800 S. MOBILHOUS STREET
MONTGOMERY, AL 36104
334.293.4400
ZEA PROJECT NUMBER 18-166