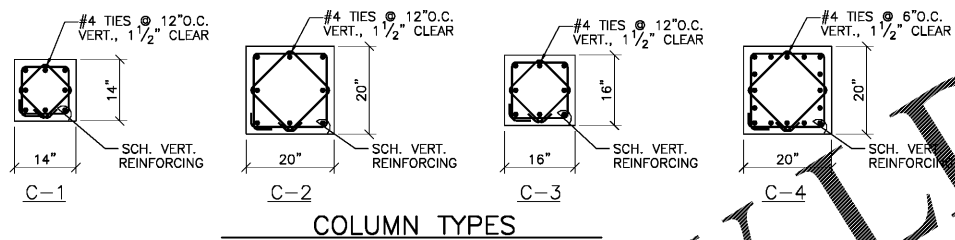
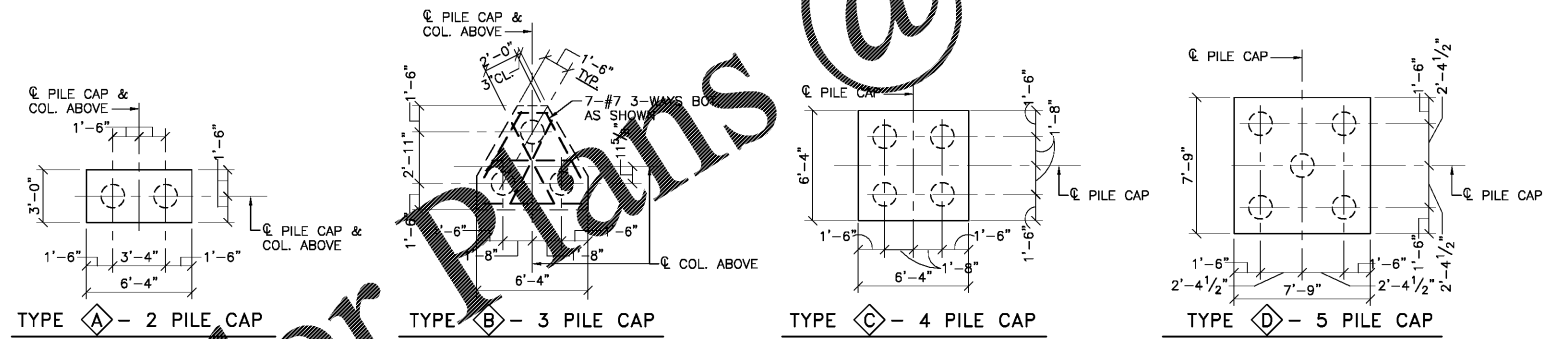


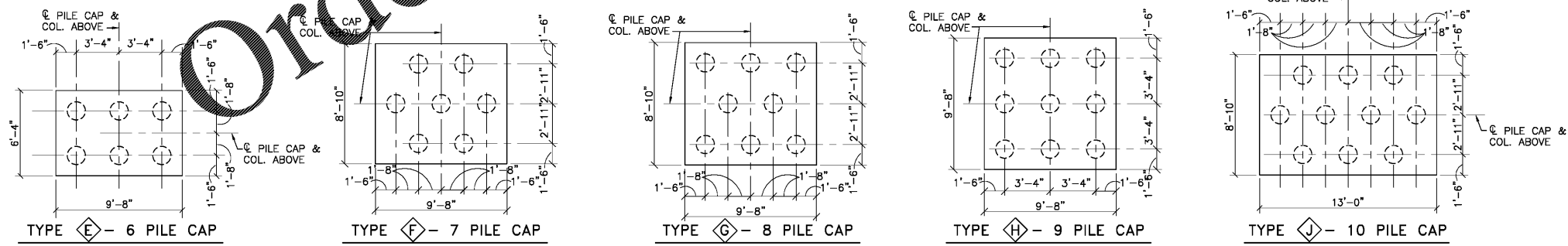
		COLUMN SCHEDULE						
COLUMN NUMBER		A-1, A-1.3, A-1.7, A-2, B-1, B-2, C-1, C-2, D-1, D-2, F-1, F-2, H-1, J-1.3, J-1.7, J-2	B-1.3, B-1.7, C-1.3, C-1.7, D-1.3, D-1.7, F-1.3, F-1.7, H-1.3, H-1.7	F-3, G-3, J-3, K-3, L-3	D-2.1, D-4.1, D-6.1, D-8.1, C-9-15.6, C-9-16.8, M-7.3, M-8, M-9, M-9.7	E-4, E-5.5, E-6.5, E-8, E-14, E-15.8, E-17, F-4, F-7, F-8, F-9, F-10, F-11, F-12, F-13, F-14, F-17, F-18, G-4, G-18, J-4, J-17, K-4, F-5, F-6, F-15, G-17, K-17, L-4, L-5, L-6, L-7, L-8, L-9, L-10, L-11, L-12, L-13, L-14, L-15, L-16, L-17	G-5, G-6, G-7, G-8, G-9, G-10, G-11, G-12, G-13, G-14, G-15, G-16	J-5, J-6, J-7, J-8, J-9, J-10, J-11, J-12, J-13, J-14, J-15, J-16, K-5, K-6, K-7, K-8, K-9, K-10, K-11, K-12, K-13, K-14, K-15, K-16
ROOF (ALTERNATE 2)	REINF.					8-#8	8-#8	8-#8
	TYPE					C-2	C-2	C-2
THIRD FLOOR (ALTERNATE 2)	SIZE					20"x20"	20"x20"	20"x20"
ROOF (ALTERNATE 1)	REINF.					8-#8	8-#8	16-#8
	TYPE					C-2	C-2	C-4
SECOND FLOOR (ALTERNATE 1)	SIZE					20"x20"	20"x20"	20"x20"
ROOF (BASE BID)	REINF.	8-#8		8-#8	8-#8	8-#8	16-#8	16-#8
	TYPE	C-1		C-2	C-3	C-2	C-4	C-4
	SIZE	14"x14"		20"x20"	16"x16"	20"x20"	20"x20"	20"x20"
FIRST FLOOR (BASE BID)	REINF.	8-#8	8-#7	8-#8	8-#8	8-#8	16-#8	16-#8
	TYPE	C-1	C-1	C-2	C-3	C-2	C-4	C-4
	SIZE	14"x14"	14"x14"	20"x20"	16"x16"	20"x20"	20"x20"	20"x20"
TOP OF PILE CAP	REINF.							
	TYPE							
	SIZE							



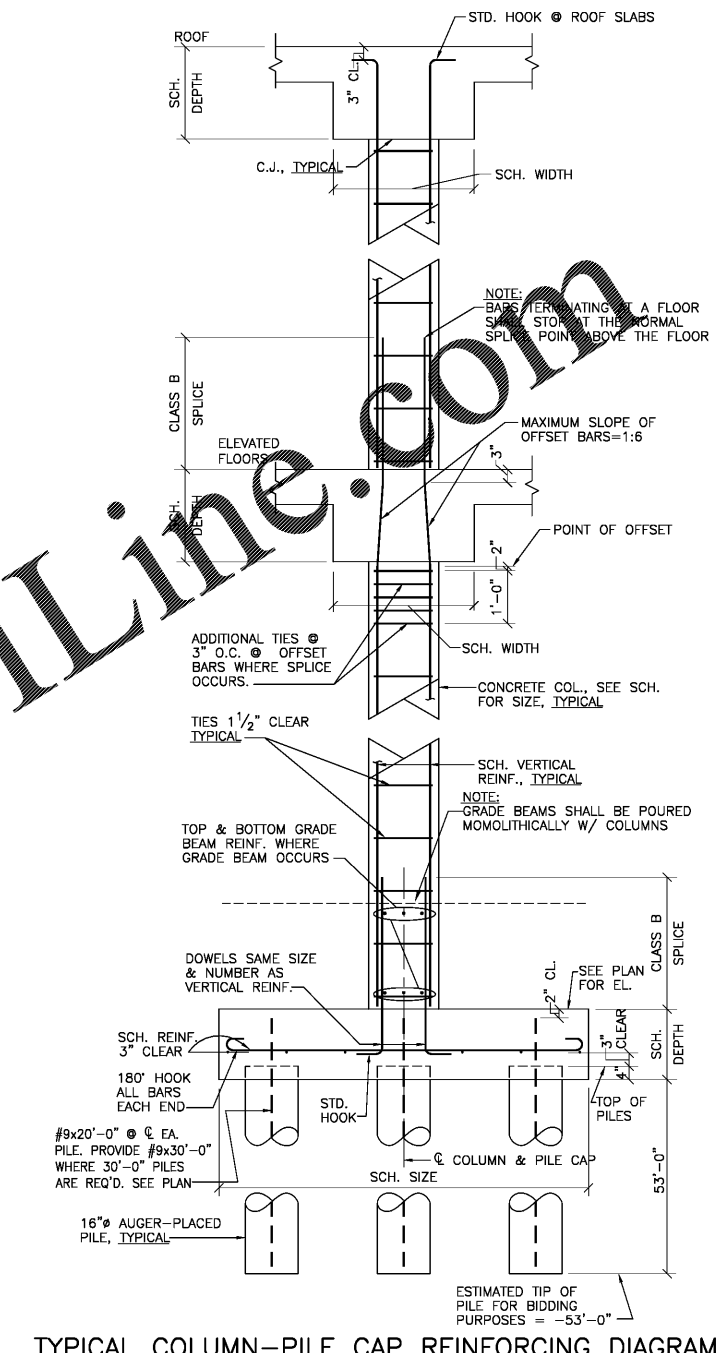
COLUMN TYPES



PILE CAP TYPES



PILE CAP TYPES



TYPICAL COLUMN-PILE CAP REINFORCING DIAGRAM

*◇ - INDICATES 30'-0" PILES W/ #9x30'-0" @ C PILE. SEE PLAN

PILE CAP SCHEDULE					
MARK	NO. OF PILES	SIZE	THICKNESS	LONG REINF. BARS	SHORT REINF. BARS
A	2	3'-0" x 6'-4"	36"	9-#7	13-#6
B	3	5'-11" x 6'-4"	36"	7-#7 (3-WAYS)	
C	4	6'-4" x 6'-4"	36"	12-#7	12-#7
D	5	7'-9" x 7'-9"	40"	16-#7	16-#7
E	6	6'-4" x 9'-8"	48"	12-#8	20-#7
F	7	8'-10" x 9'-8"	48"	18-#8	18-#7
G	8	8'-10" x 9'-8"	50"	18-#8	18-#8
H	9	9'-8" x 9'-8"	52"	21-#8	21-#8
J	10	8'-10" x 13'-0"	52"	20-#8	21-#8

NOTE: WHERE PILE CAPS ARE RECTANGULAR, BARS SCHEDULED FOR LONG WAY SHALL BE PLACED IN BOTTOM LAYER & SHORT WAY BARS PLACED ON TOP OF LONG WAY BARS.

PH&J architects inc.
 Montgomery, Alabama

PH&J

CIP-2017-001
 UPGRADES TO THE MOBILE COUNTY METRO JAIL
 For The MOBILE COUNTY COMMISSION
 MOBILE, ALABAMA

ALABAMA REGISTERED
No. 30036
PROFESSIONAL ENGINEER
W. DANIEL SHELTON
4-2-19

DRAWN: BAS	CHECK: JWD
DATE: APRIL 2, 2019 RTA	
REVISED:	
REVISED:	

SHEET TITLE: COLUMN AND PILE CAP SCHEDULE
 JOB NO.: PH&J 1801-GV
 FREQUENCY: 97 OF 175

S3.1

© PH&J ARCHITECTS, INC. ALL RIGHTS RESERVED.