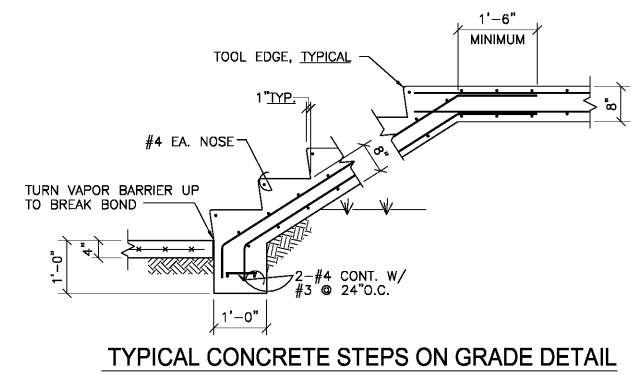
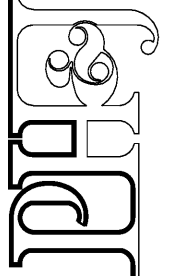


TYPICAL STAIR DETAILS



architects inc. Alabama
Montgomery,



CIP-2017-001
UPGRADES TO THE MOBILE COUNTY METRO JAIL
For The MOBILE COUNTY COMMISSION
MOBILE, ALABAMA



DRAWN	SAS	CHECK	MD
DATE	APRIL 2, 2019 RTA		
REVISED			
REVISED			

SHEET TITLE	TYPICAL DETAILS
JOB NO.	PH&J 1801-GV
SEQUENCE NO.	80 OF 175

S0.2
© PH&J ARCHITECTS, INC. ALL RIGHTS RESERVED