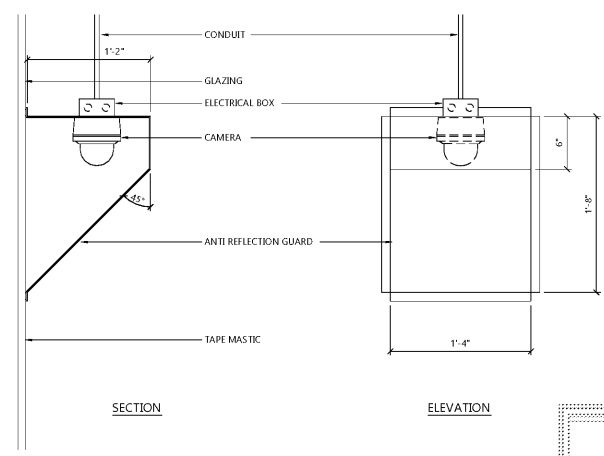
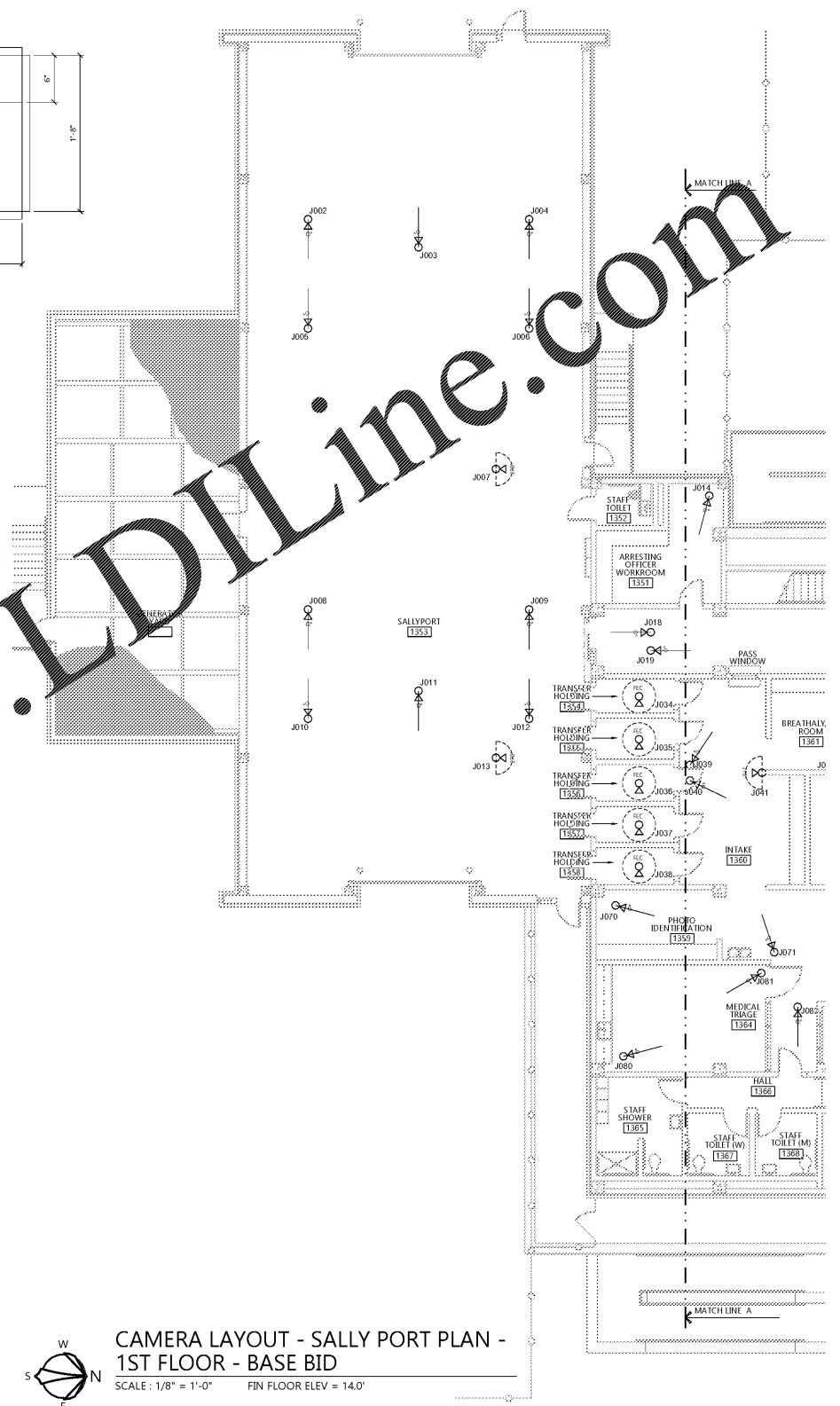


Order Plans @ www.IDILine.com



1
A9.7
CAMERA COVER DETAIL
SCALE: 1/8" = 1'-0"



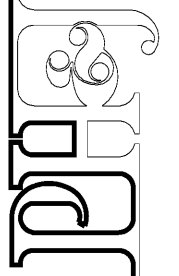
CAMERA LAYOUT - SALLY PORT PLAN - 1ST FLOOR - BASE BID
SCALE: 1/8" = 1'-0" FIN FLOOR ELEV = 14.0'



SYMBOL LEGEND

- CCTV CAMERA DIRECTIONAL CAMERA
- CCTV CAMERA PAN, TILT, ZOOM FUNCTION
- CCTV CAMERA 270° CAMERA
- CCTV CAMERA FISH EYE CAMERA

PH&J architects inc.
Montgomery, Alabama



CIP-2017-001
UPGRADES TO THE MOBILE COUNTY METRO JAIL
For The MOBILE COUNTY COMMISSION
MOBILE, ALABAMA



DRAWN	RTS	CHECK	PA
DATE	April 2, 2019 RTA		
REVISED			
REVISED			

SHEET TITLE
Camera Layout - Sally Port Plan - Base Bid

JOB NO.
PH&J 1801-GV

SEQUENCE NO. 75 of 175

A9.7

© PH&J ARCHITECTS, INC.
ALL RIGHTS RESERVED