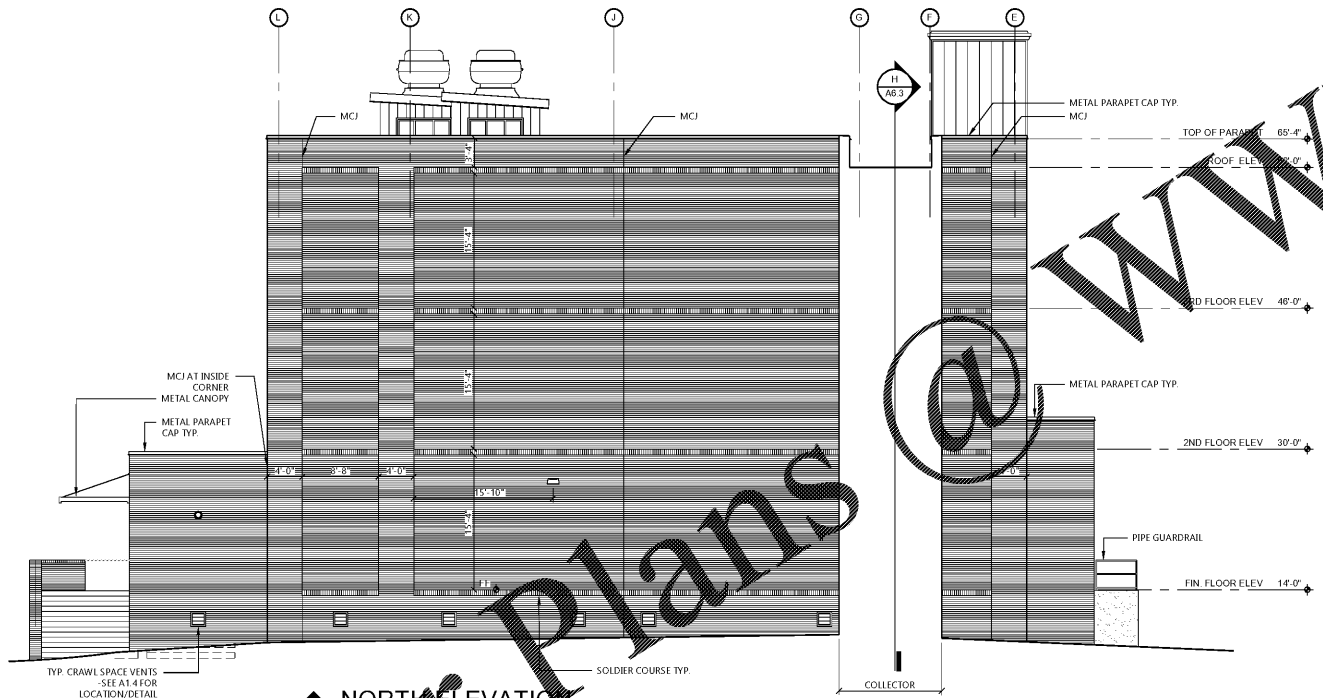
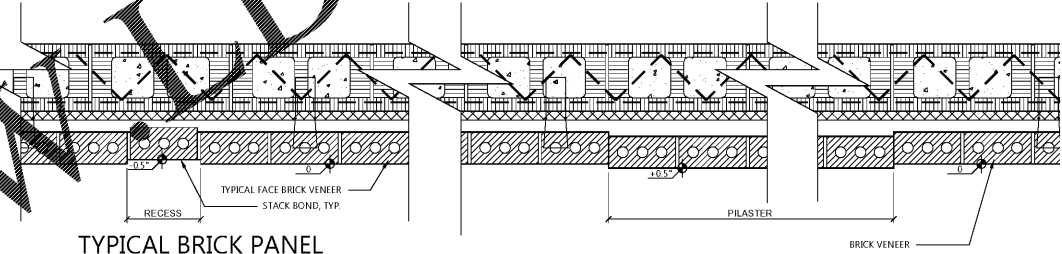


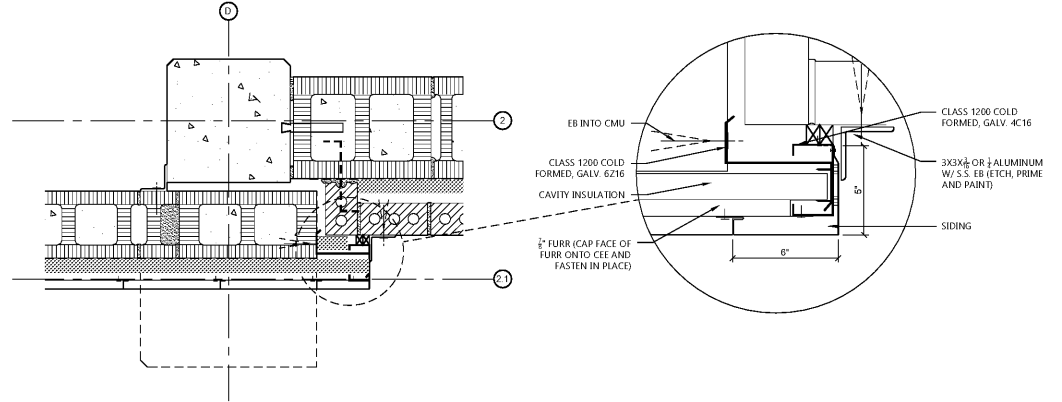
EAST ELEVATION
 SCALE: 1/8" = 1'-0"
 0 2 4 8 16 32
 Graphic Scale



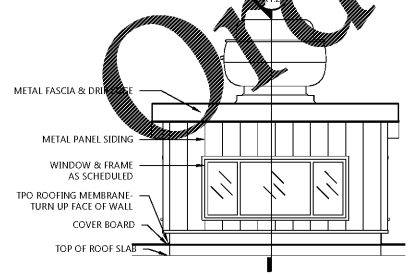
NORTH ELEVATION
 SCALE: 1/8" = 1'-0"
 0 2 4 8 16 32
 Graphic Scale



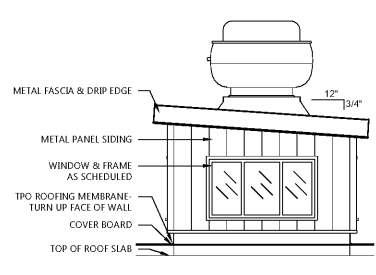
TYPICAL BRICK PANEL & PILASTER DETAIL PLAN
 SCALE: 1 1/2" = 1'-0"



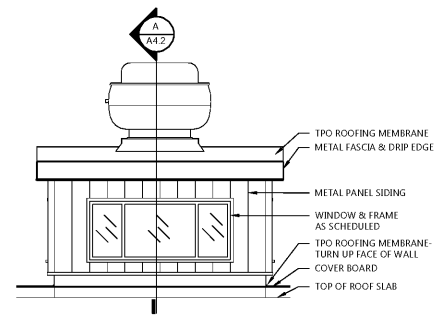
WALL DETAIL at SALLY PORT JUNCTION
 SCALE: 1 1/2" = 1'-0"



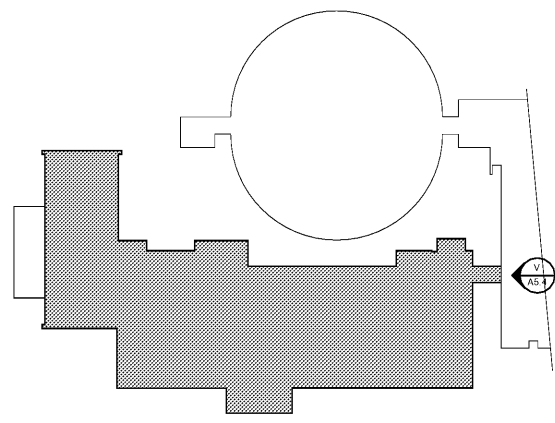
LIGHT MONITOR EAST ELEVATION
 SCALE: 1/4" = 1'-0"



LIGHT MONITOR NORTH ELEVATION
 SCALE: 1/4" = 1'-0"



LIGHT MONITOR WEST ELEVATION
 SCALE: 1/4" = 1'-0"



KEY PLAN
 JOB NORTH

BASE BID + ALTERNATE 2 + ALTERNATE 3

architects inc.
 Montgomery, Alabama

CIP-2017-001
 UPGRADES TO THE MOBILE COUNTY METRO JAIL
 For The MOBILE COUNTY COMMISSION
 MOBILE, ALABAMA



DRAWN	RT/ST	CHECK	HS
DATE	April 2, 2019 RTA		
REVISED			
REVISED			

SHEET TITLE
 EXTERIOR ELEVATIONS-
 BASE BID +
 ALTERNATES 2 & 3

JOB NO.
 PH&J 1801-GV

SEQUENCE
 NO. 54 OF 175

A5.4
 PH&J ARCHITECTS, INC.
 ALL RIGHTS RESERVED