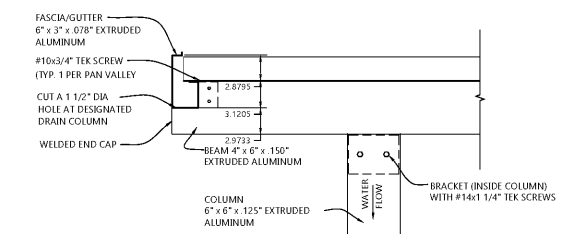
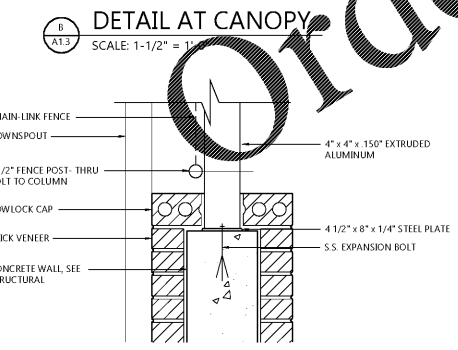
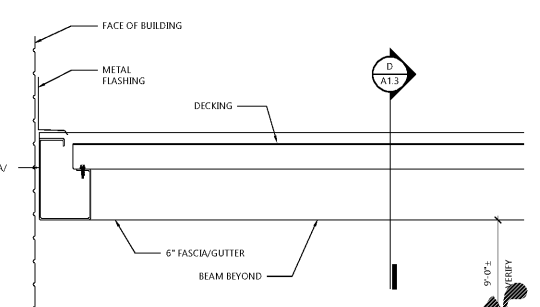


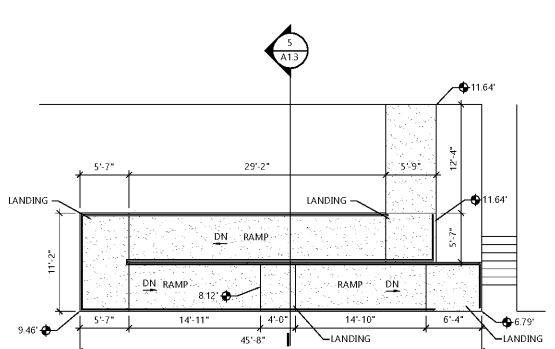
1 RAMP SECTION
SCALE: 3/4" = 1'-0"



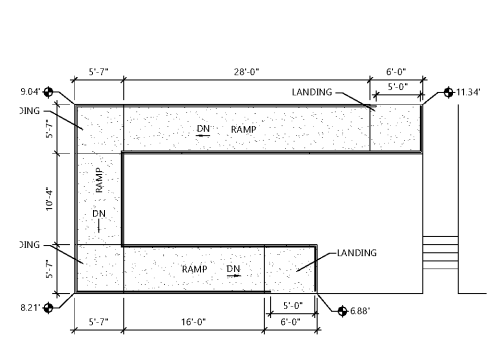
A FASCIA TO BEAM TO COLUMN ATTACHMENT
SCALE: 1-1/2" = 1'-0"



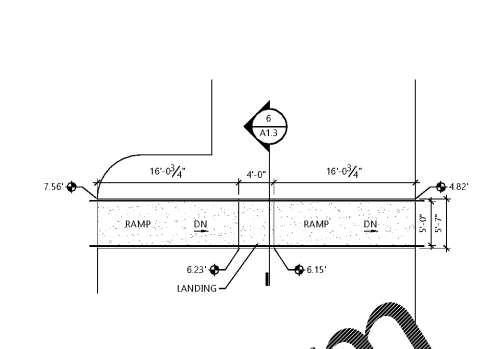
C POST DETAIL
SCALE: 1-1/2" = 1'-0"



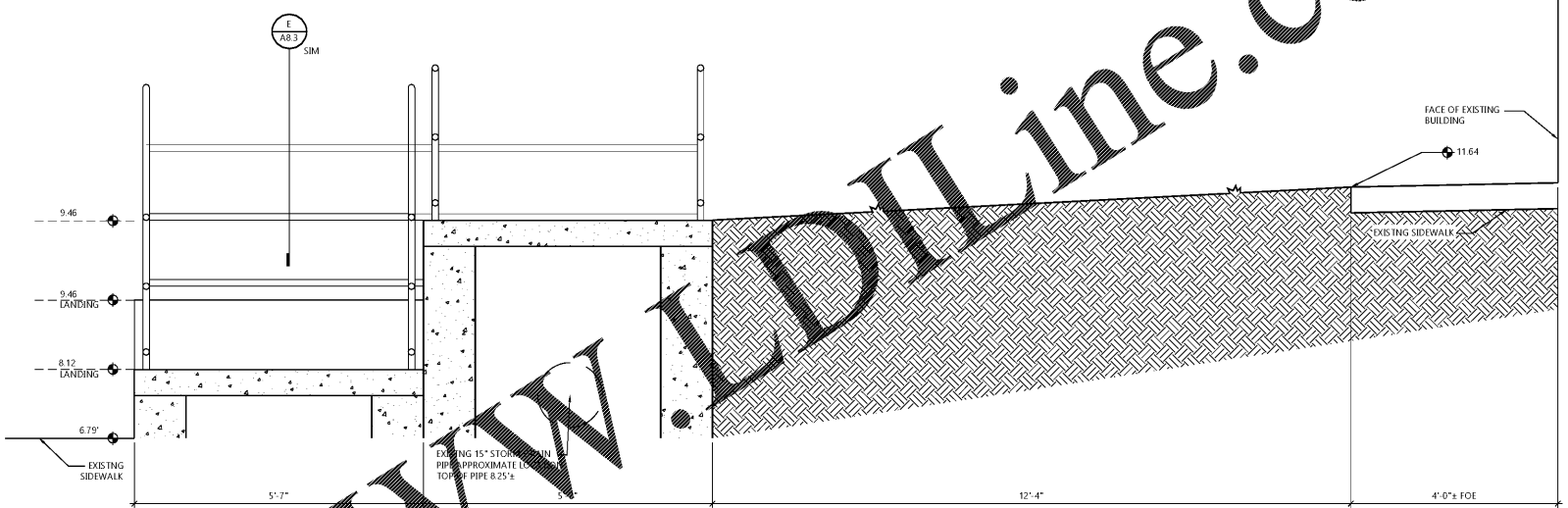
2 PARTIAL SITE PLAN - EXTERIOR RAMP
SCALE: 1/8" = 1'-0"



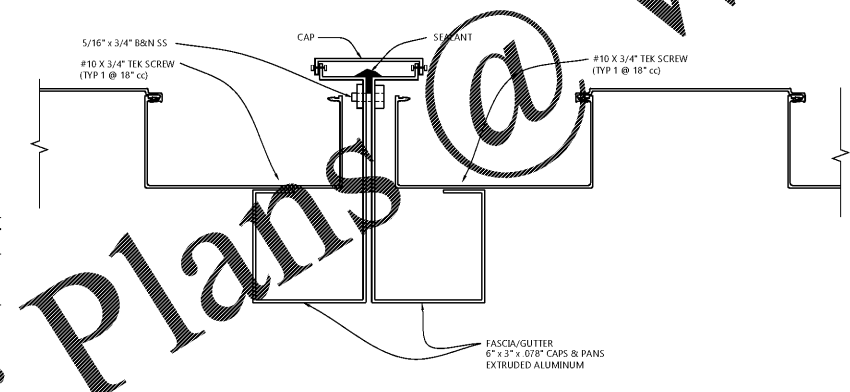
3 PARTIAL SITE PLAN - EXTERIOR RAMP
SCALE: 1/8" = 1'-0"



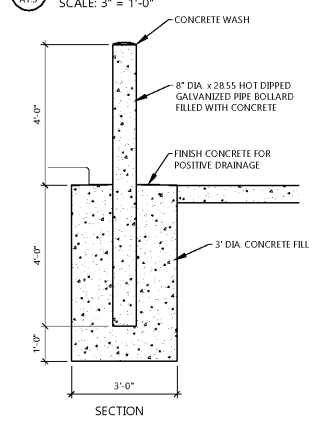
4 PARTIAL SITE PLAN - EXTERIOR RAMP
SCALE: 1/8" = 1'-0"



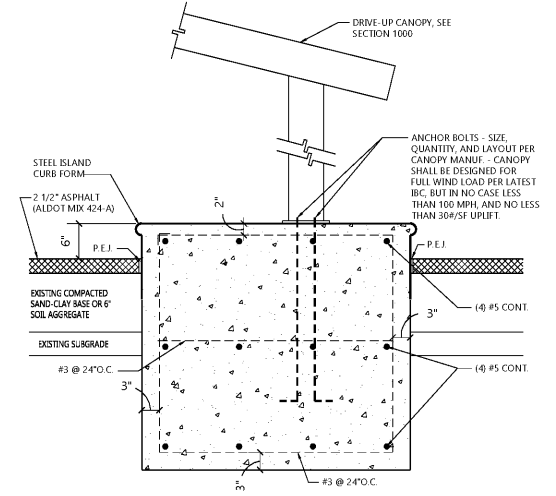
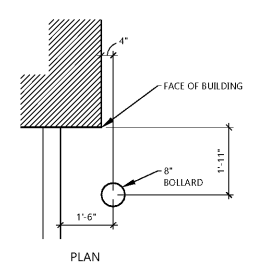
5 RAMP SECTION
SCALE: 3/4" = 1'-0"



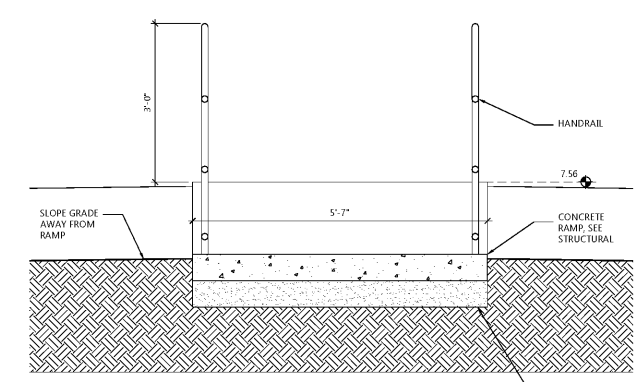
D BACK TO BACK FASCIA ATTACHMENT
SCALE: 3" = 1'-0"



F BOLLARD DETAIL
SCALE: 1/2" = 1'-0"



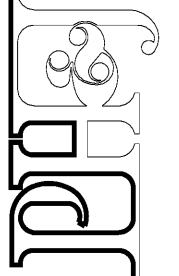
F RAISED CURB DETAIL
NO SCALE



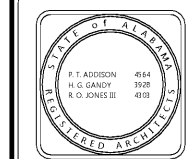
6 RAMP SECTION
SCALE: 3/4" = 1'-0"

www.LDILine.com

Order Plans @



CIP-2017-001
UPGRADES TO THE MOBILE COUNTY METRO JAIL
For The MOBILE COUNTY COMMISSION
MOBILE, ALABAMA



DRAWN	ST	CHECK	HS
DATE	April 2, 2019 RTA		
REVISED			
REVISED			

SHEET TITLE
SITE SECTIONS & DETAILS

JOB NO.
PH&J 1801-GV

SEQUENCE NO.
37 of 175

A1.3

PH&J ARCHITECTS, INC.
ALL RIGHTS RESERVED