

CIP-2017-001  
UPGRADES TO THE MOBILE COUNTY METRO JAIL  
For The MOBILE COUNTY COMMISSION  
MOBILE, ALABAMA

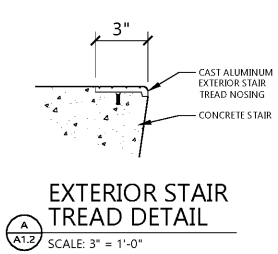
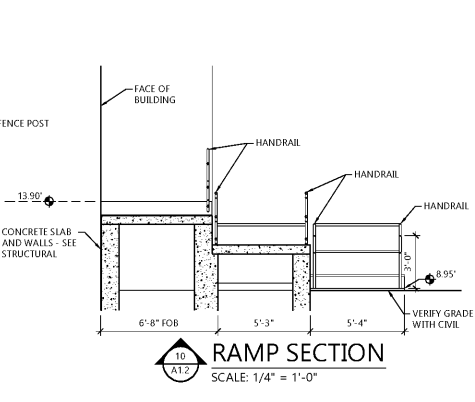
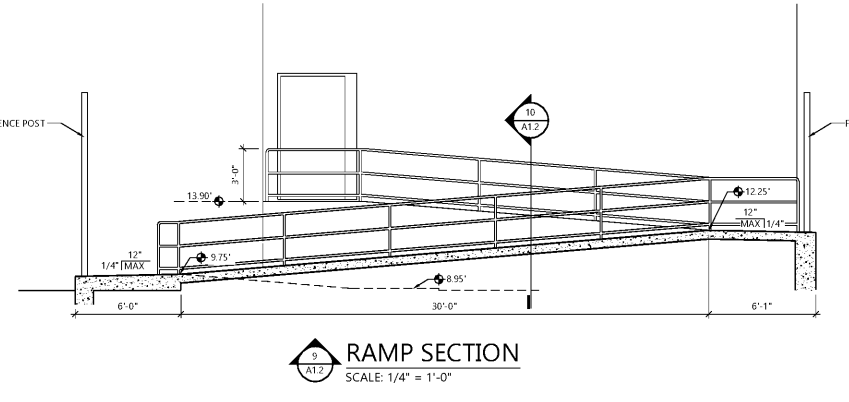
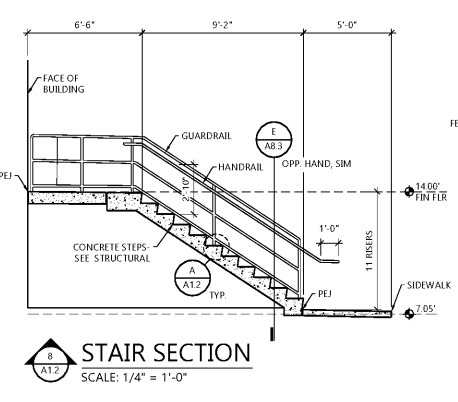
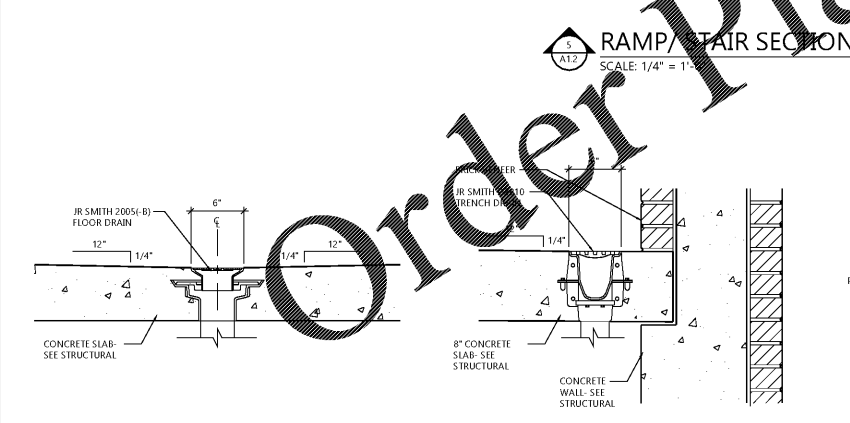
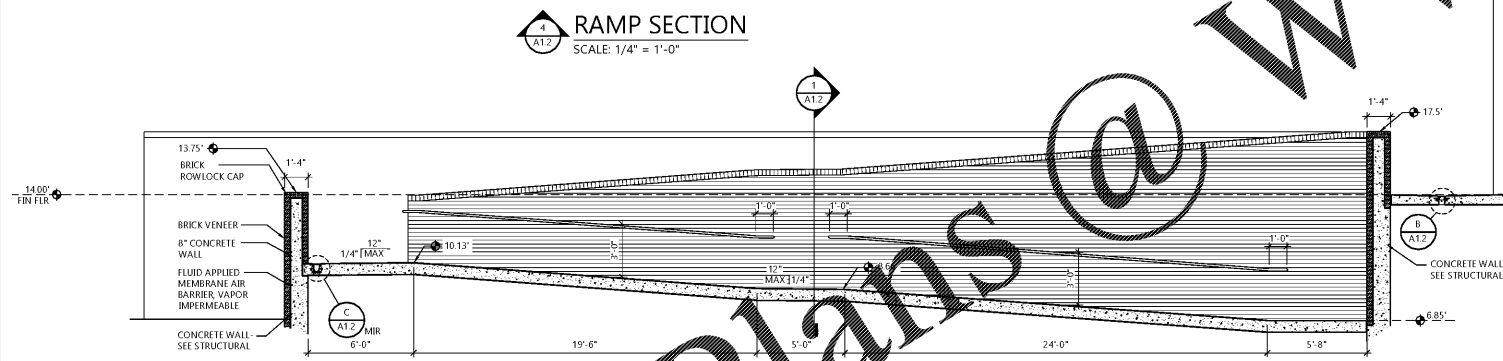
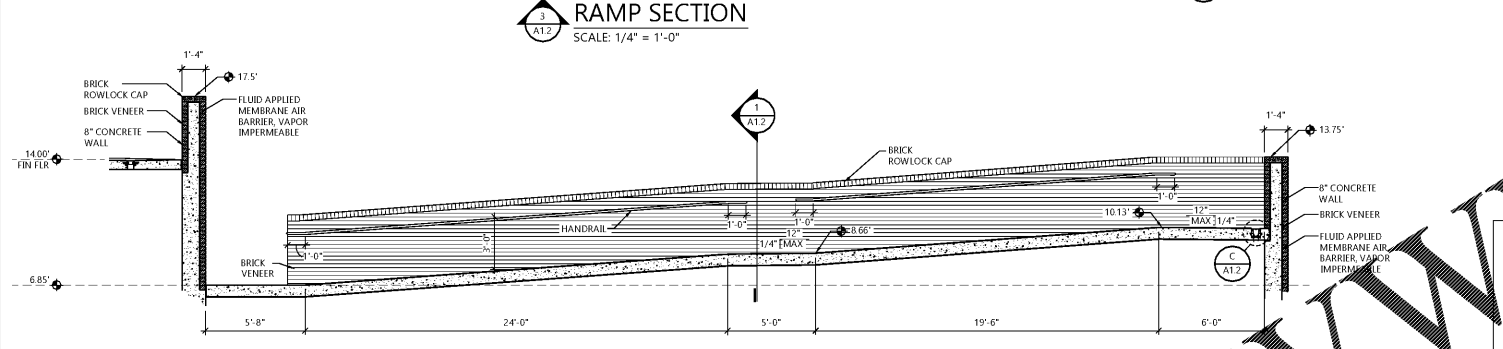
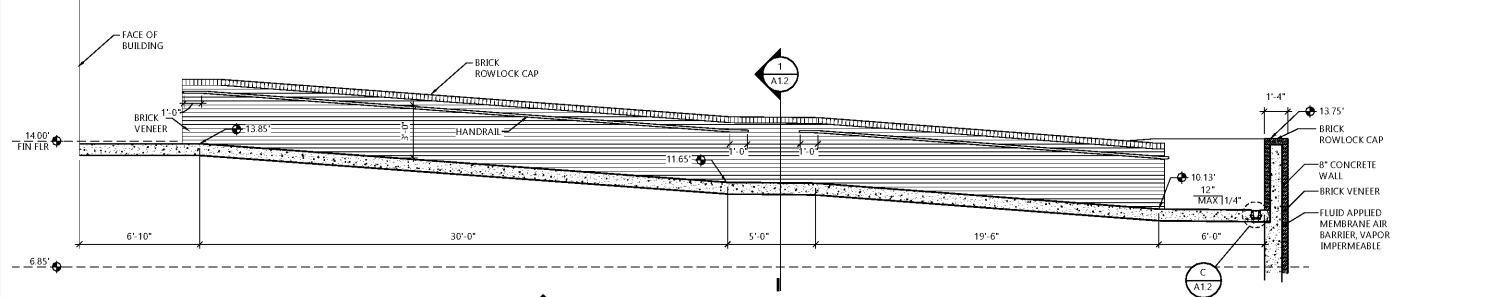
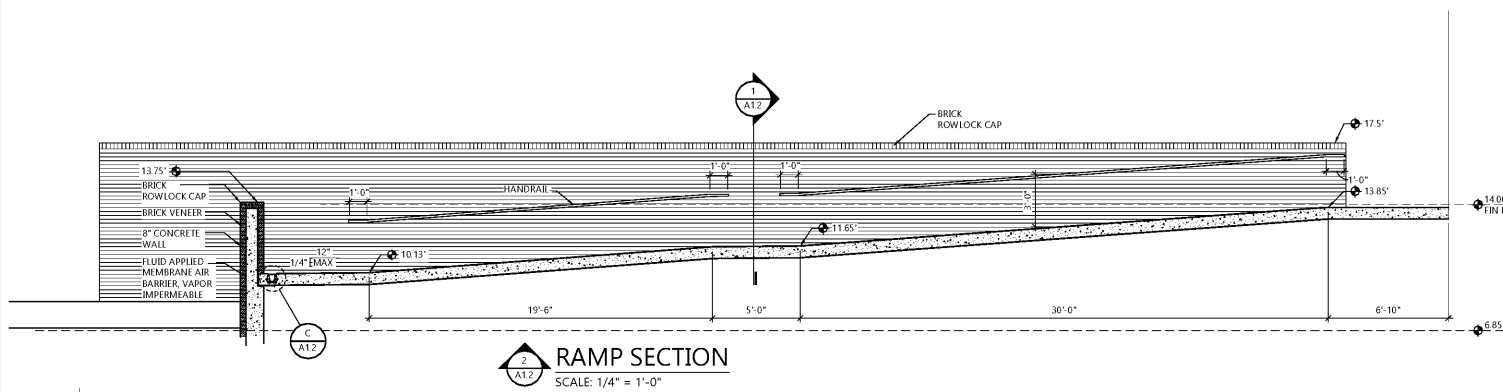
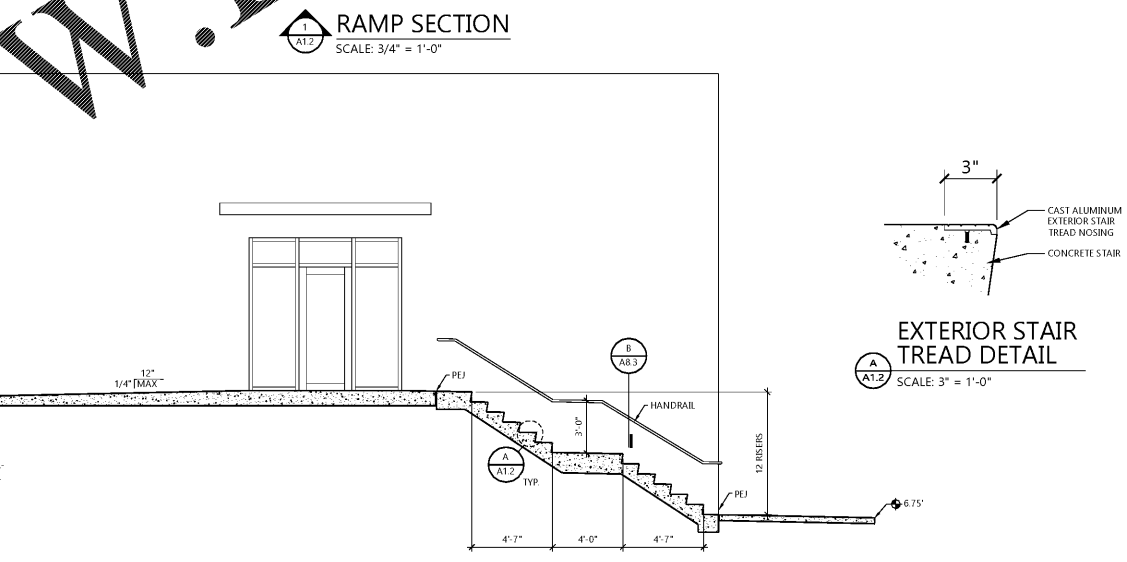
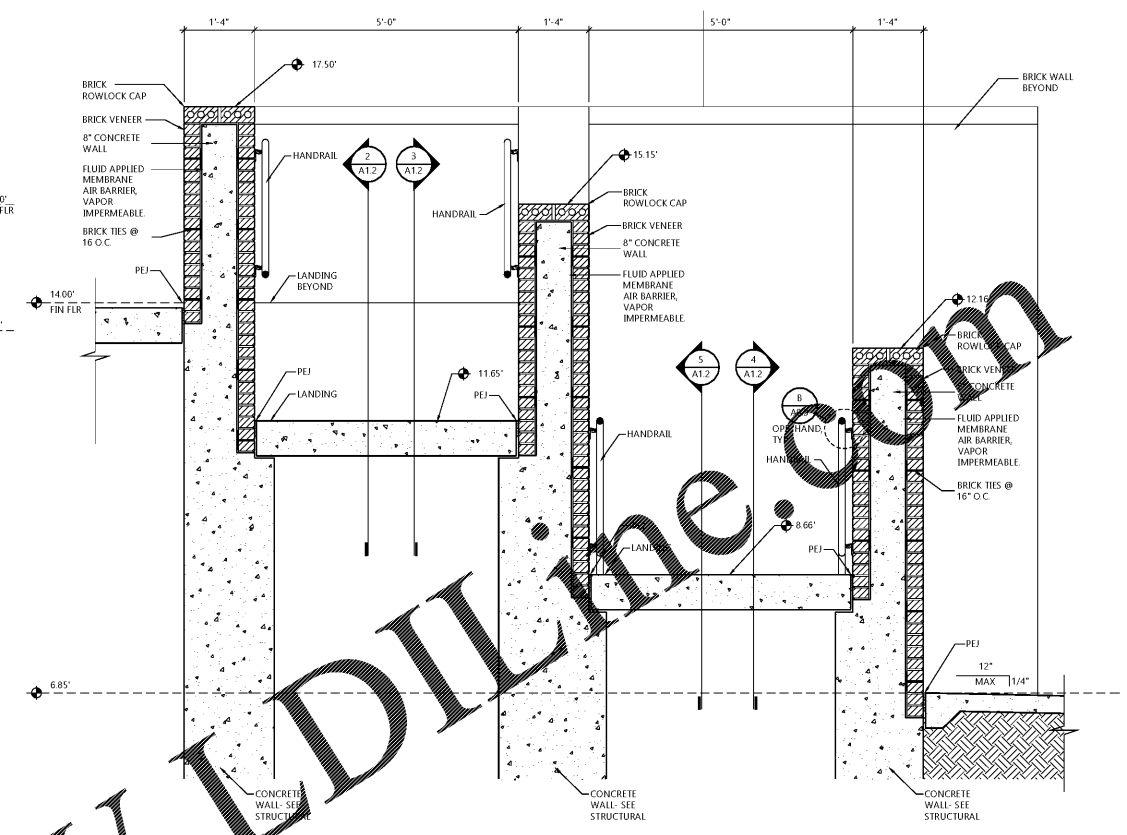


DRAWN	ST	CHECK	HS
DATE	April 2, 2019 RTA		
REVISED			
REVISED			

SHEET TITLE	ARCHITECTURAL SITE PLAN AND DETAILS
JOB NO.	PH&J 1801-GV
SEQUENCE NO.	36 of 175

A1.2

© PH&J ARCHITECTS, INC.  
ALL RIGHTS RESERVED



Order Plans @ WWW.IDIDLINE.COM