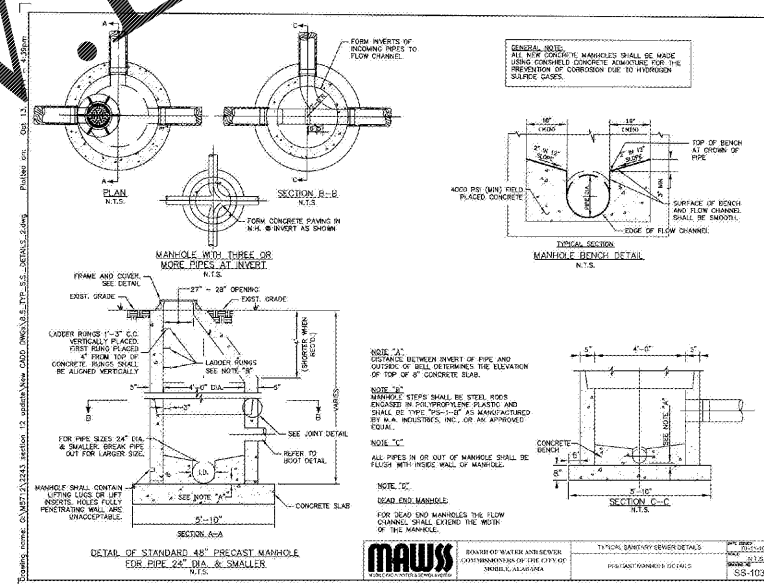
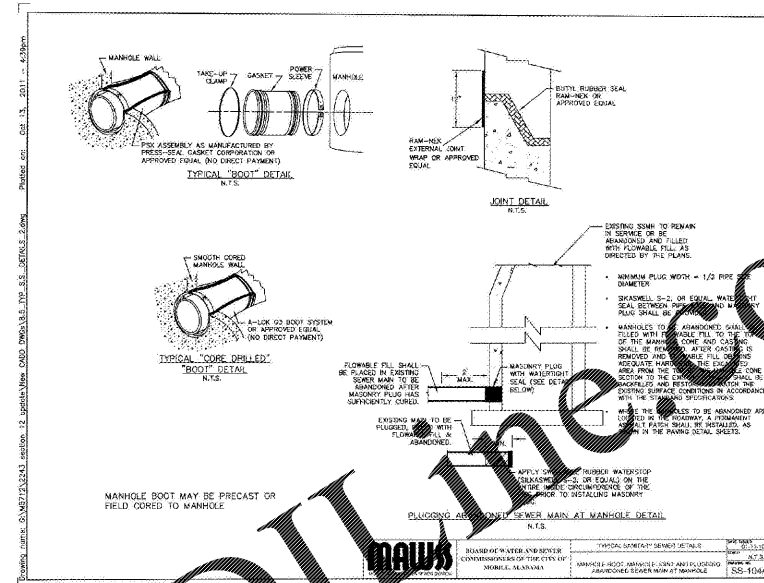
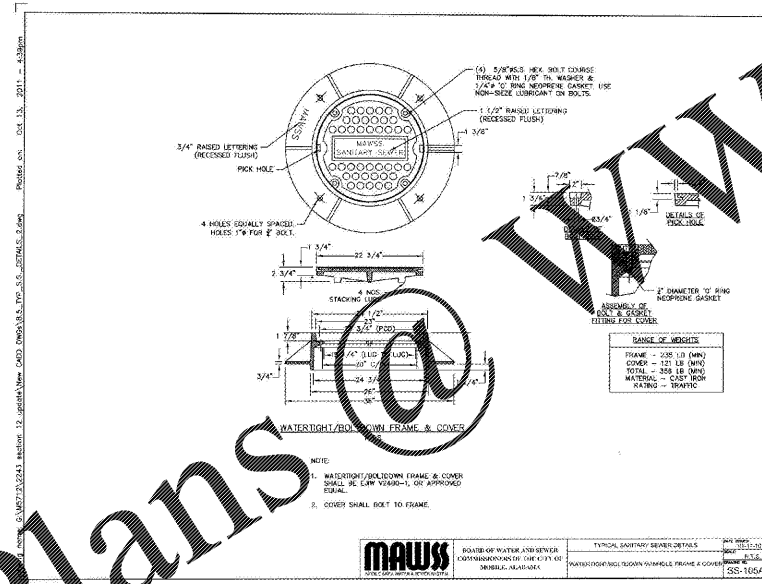
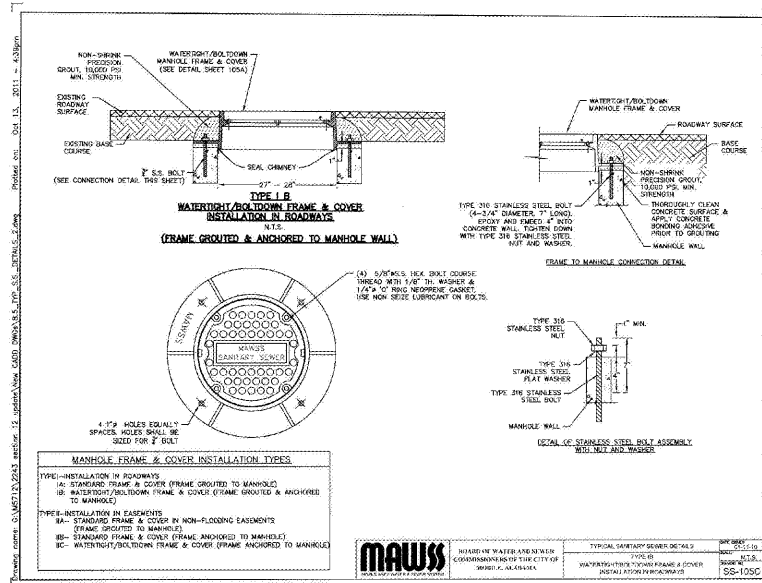


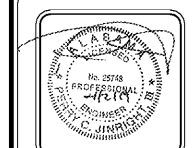
Order Plans @



JADE CONSULTING, LLC  
251.928.3443 (vo)  
251.928.3695 (fax)  
jadesolutions.com

architects inc.  
Montgomery, Alabama

PH&J  
CIP-2017-001  
UPGRADES TO THE MOBILE COUNTY METRO JAIL  
For The MOBILE COUNTY COMMISSION  
MOBILE, ALABAMA



DRAWN	SER	CHECK	PCJ
DATE	April 2, 2019 RTA		
REVISED			
REVISED			

SHEET TITLE  
CIVIL CONSTRUCTION  
DETAILS (5)  
BASE BID

JOB NO.  
PH&J 1801-GV

SEQUENCE  
NO. 24 OF 175

C9.4  
© PH&J ARCHITECTS, INC.  
ALL RIGHTS RESERVED