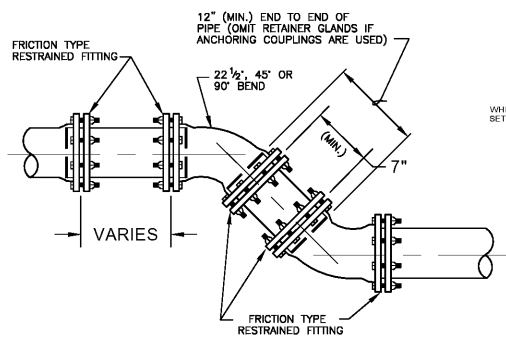
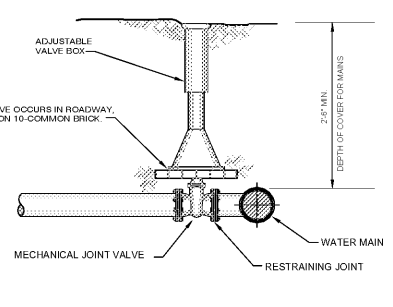


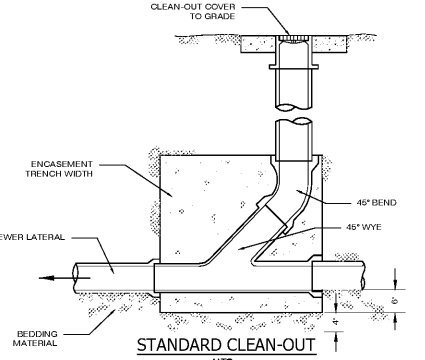
DOUBLE BACKFLOW PREVENTER
NTS



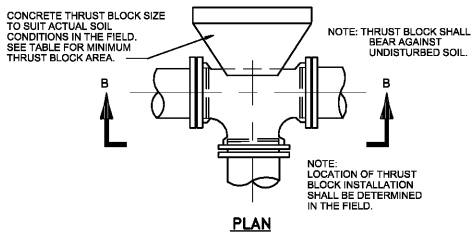
ANCHORING OF VERTICAL
OR HORIZONTAL BENDS WHERE
THRUST BLOCKS ARE NOT DESIRED



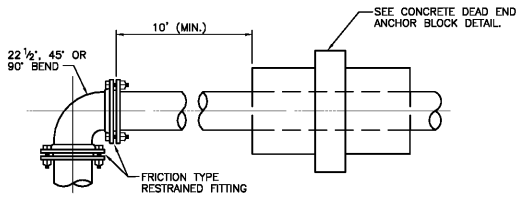
TYPICAL VALVE SETTING



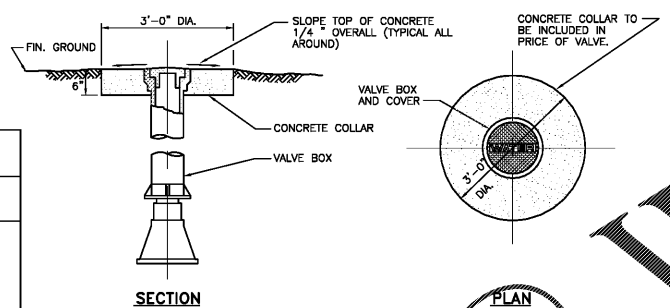
STANDARD CLEAN-OUT
NTS



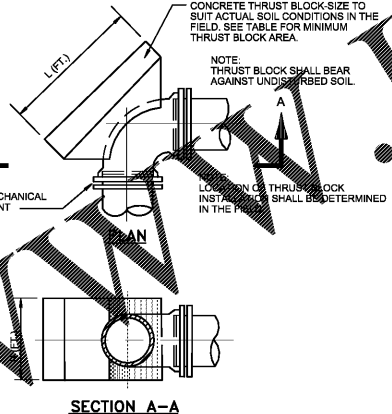
TYPICAL THRUST BLOCK DETAIL FOR TEES



ANCHORAGE OF BENDS WHERE THRUST
BLOCKS ARE NOT DESIRED -
DEAD END ANCHORS



VALVE BOX COLLAR DETAIL

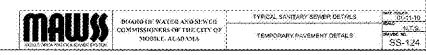
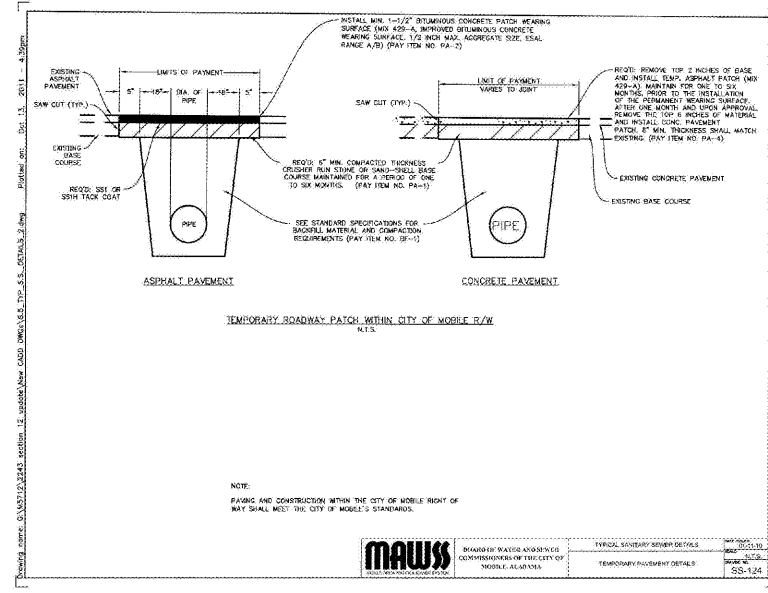
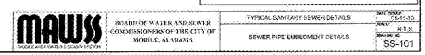
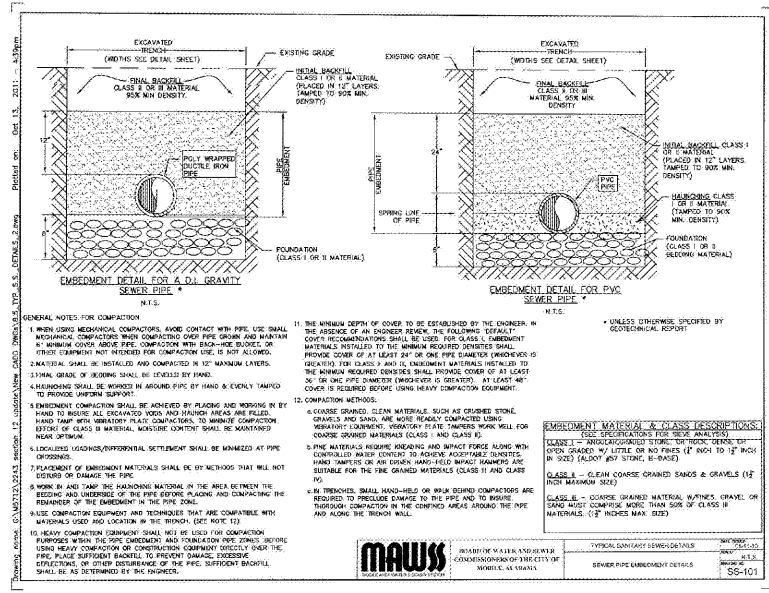
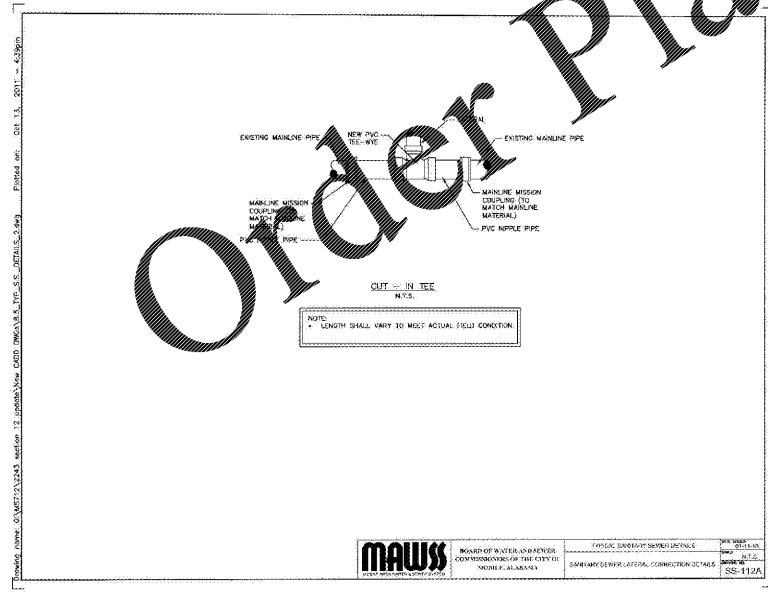
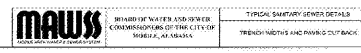


TYPICAL THRUST BLOCK DETAIL FOR BENDS

TYPICAL THRUST BLOCKS MINIMUM THRUST BLOCK AREA SQ. FT. L (FT.) X H (FT.)			
INSIDE DIA. PIPE LINE IN INCHES	90° BENDS	TEES, DEAD ENDS, OR 45° BENDS	22 1/2° BENDS
6"	3.0	2.2	1.0
8"	5.5	4.0	1.5
10"	8.5	6.0	2.5
12"	12.0	9.0	3.5
16"	22.0	18.0	8.0
18"	27.0	20.0	8.0
20"	34.0	24.0	10.0
24"	48.0	34.0	14.0
30"	75.0	53.0	21.0

NOMINAL PIPE DIAMETER (INCHES)	TRENCH WIDTH (INCHES)
4	40
6	42
8	44
10	46
12	48
14	50
16	52
18	54
20	56
24	60
30	66
36	72
42	78
48	84

NOTES:
1. THE LIMITS OF PAYMENT FOR PAVING OVER THE TRENCH SHALL BE THE TRENCH WIDTH SHOWN PLUS THE CUT-BACK ON EITHER SIDE OF THE TRENCH.
2. REPLACEMENT WORK BEYOND TRENCH WIDTH OR LIMITS OF PAYMENT FOR PAVING SHALL BE AT THE CONTRACTOR'S EXPENSE. NO EXTRA COMPENSATION WILL BE ALLOWED.
3. THE LIMITS OF PAYMENT FOR SELECT BASEFILL (ITEM 50-1) SHALL BE THE APPLICABLE TRENCH WIDTH SHOWN MULTIPLIED BY THE AVERAGE DEPTH OF SOILING TO THE TOP OF PIPE.
4. THE JAWED EDGES OF THE EXISTING PAVEMENT ALONG THE TRENCH CUT SHALL BE SLOPED AND CUT TO A BEAT LINE WITH AN APPROXIMATE 1:1 SLOPE STRAIGHT LINES PARALLEL TO THE CENTER OF THE PAVEMENT CUT.



Order Plans @

WWW.LDILine.com

JADE CONSULTING, LLC
208 Greens Road North, Fairhope, Alabama 36532
P.O. Box 1929, Fairhope, Alabama 36533
251.928.3444 (vo) 251.928.3695 (fax)
CA #45157-15 jadeengineering.com

architects inc.
Montgomery, Alabama

CIP-2017-001
UPGRADES TO THE MOBILE COUNTY METRO JAIL
FOR THE MOBILE COUNTY COMMISSION
MOBILE, ALABAMA



DRAWN	SER	CHECK	PCJ
DATE	April 2, 2019 RTA		
REVISED			
REVISED			
SHEET TITLE CIVIL CONSTRUCTION DETAILS (4) BASE BID			
JOB NO. PH&J 1801-GV			
SEQUENCE NO. 23 OF 175			

C9.3

© PH&J ARCHITECTS, INC. ALL RIGHTS RESERVED