



VP ENGINEERING
 VRETTOS PAPPAS CONSULTING ENGINEERS, P.A.
 PO Box 31041, Charlotte, NC 28231
 919-746-8888 / 919-746-8889 / 919-746-8890 / 919-746-8891
 www.vpengineer.com

2557 COBBS FORD RD PRATTVILLE, AL 36066



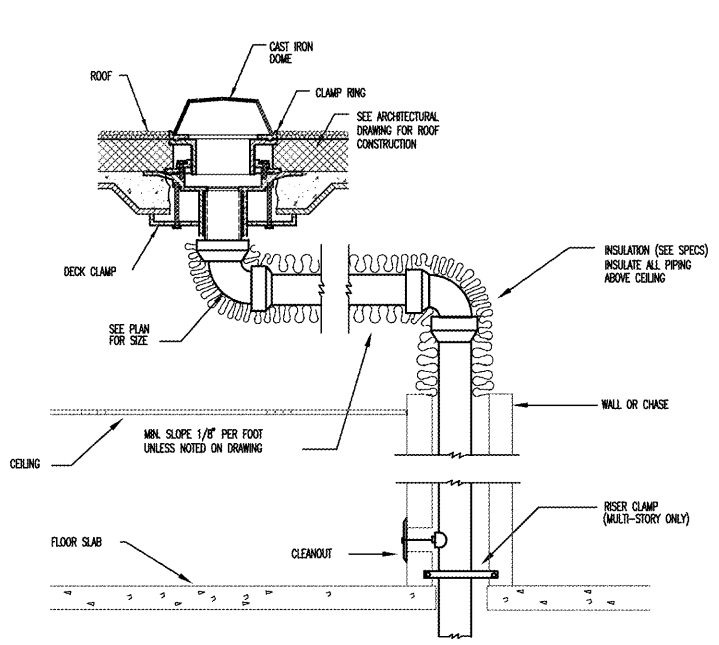
Mk	Date	Description
		Revisions

PLUMBING DETAILS

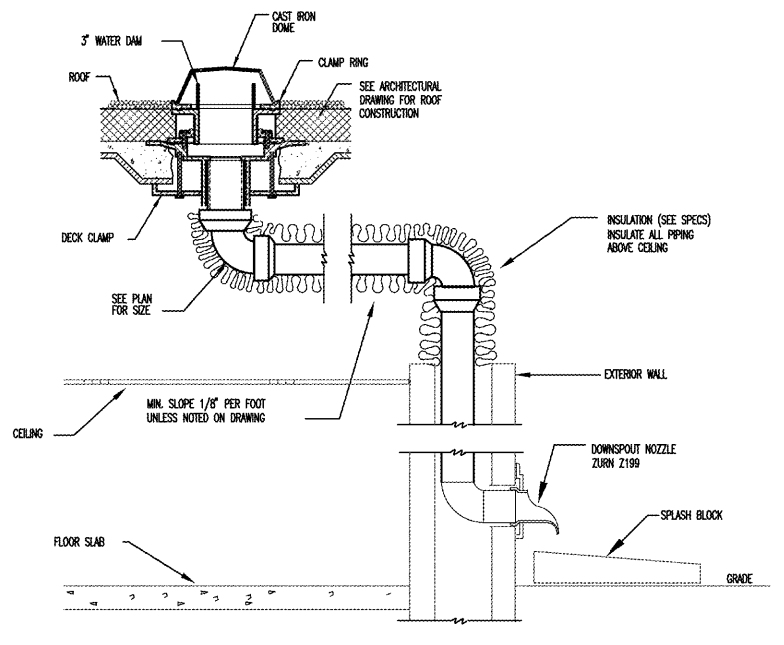
Date: 06/13/19
 Drawn By: PNK
 Check By: AWC
 Job No.: 19-037
 Sheet:

P8

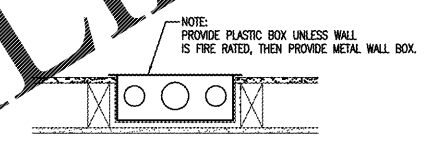
WWW.LDILine.com



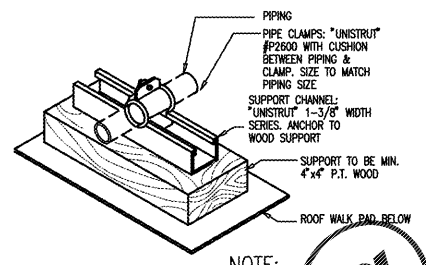
1 ROOF DRAIN DETAIL
 P8 NOT TO SCALE



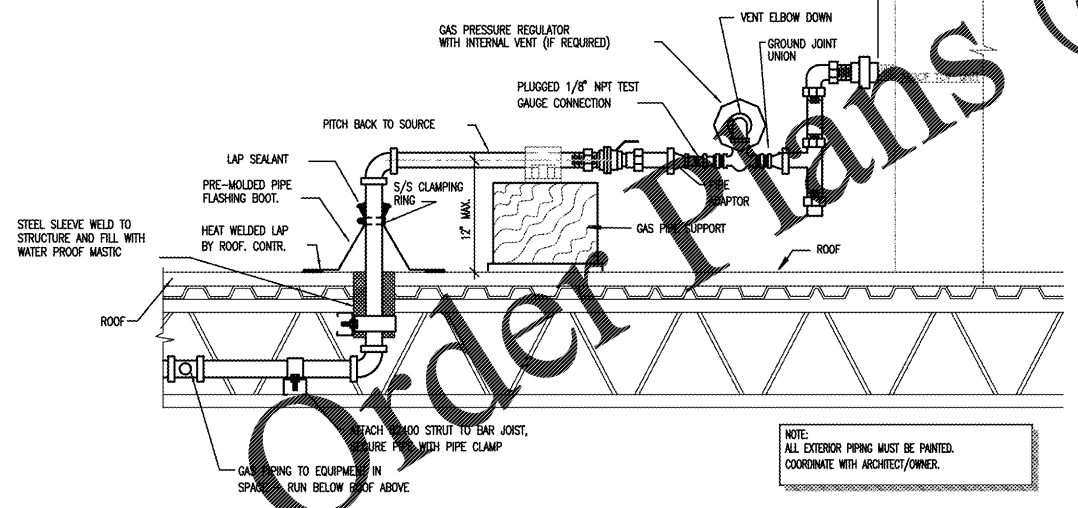
2 OVERFLOW DRAIN DETAIL
 P8 NOT TO SCALE



3 ICE MAKER WALL BOX DETAIL
 P8 NOT TO SCALE



NOTE:
 SUPPORT PIPE AT MAXIMUM OF 8'0" O.C.



4 GAS PIPING ON ROOF DETAIL
 P8 NOT TO SCALE