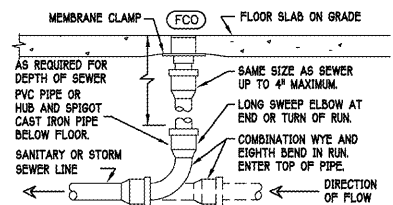
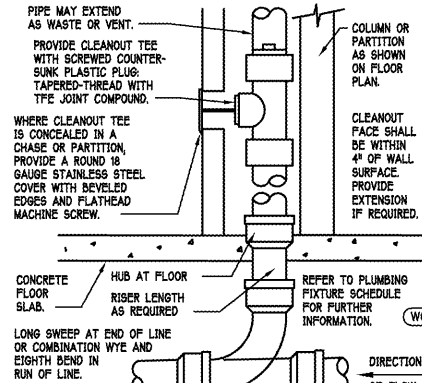


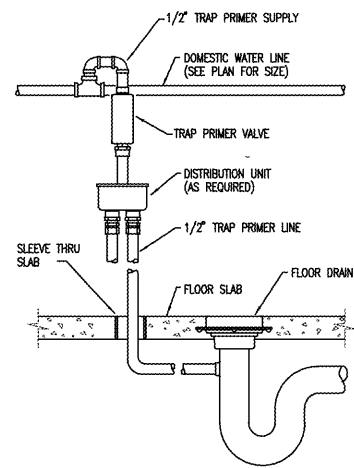
ROUND SECURED GASKETED NICKEL BRONZE ADJUSTABLE TOP WITH 40° CAST IN COVER. PROVIDE CLEANOUT TOP WITH VARIATIONS SUITABLE FOR FLOOR COVERING (CARPET MARKER, RECESSED FOR TILE, SCORIAED FOR UNFINISHED FLOORS). PROVIDE GASKETED PLASTIC PLUG IN CAST IRON BODY. USE TEFLON JOINT COMPOUND, OR TEFLON TAPE ON PLUG THREADS. CLEAN THE TOP OF EXPOSED FCO AFTER INSTALLATION.



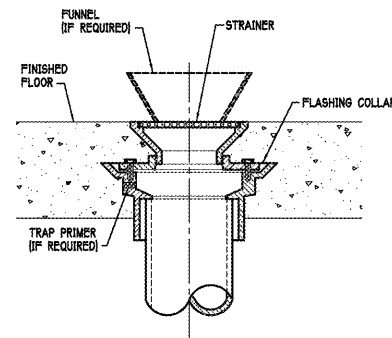
1 FLOOR CLEAN OUT DETAIL
P7 NOT TO SCALE



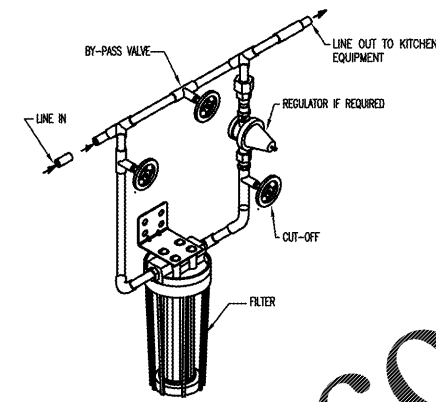
2 WALL CLEANOUT DETAIL
P7 NOT TO SCALE



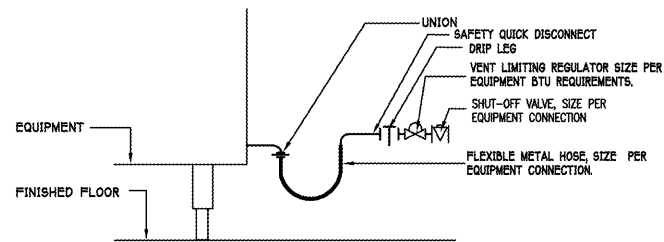
3 TRAP PRIMER DETAIL
P7 NOT TO SCALE



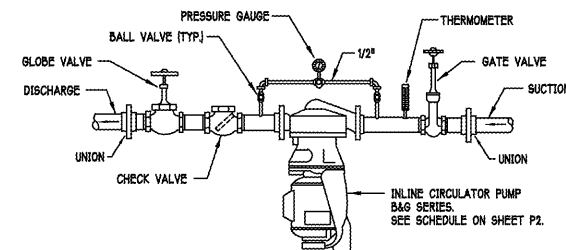
4 CAST IRON FLOOR DRAIN DETAIL
P7 NOT TO SCALE



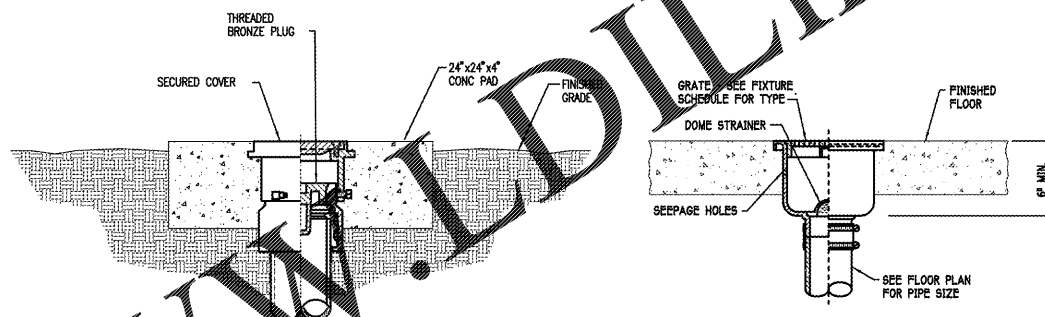
5 FILTER
P7 NOT TO SCALE



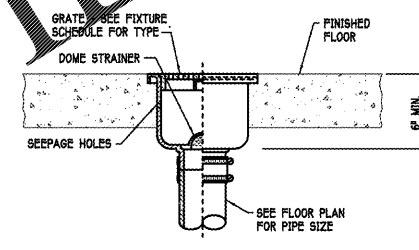
6 KITCHEN GAS EQUIPMENT PIPING DETAIL
P7 NOT TO SCALE



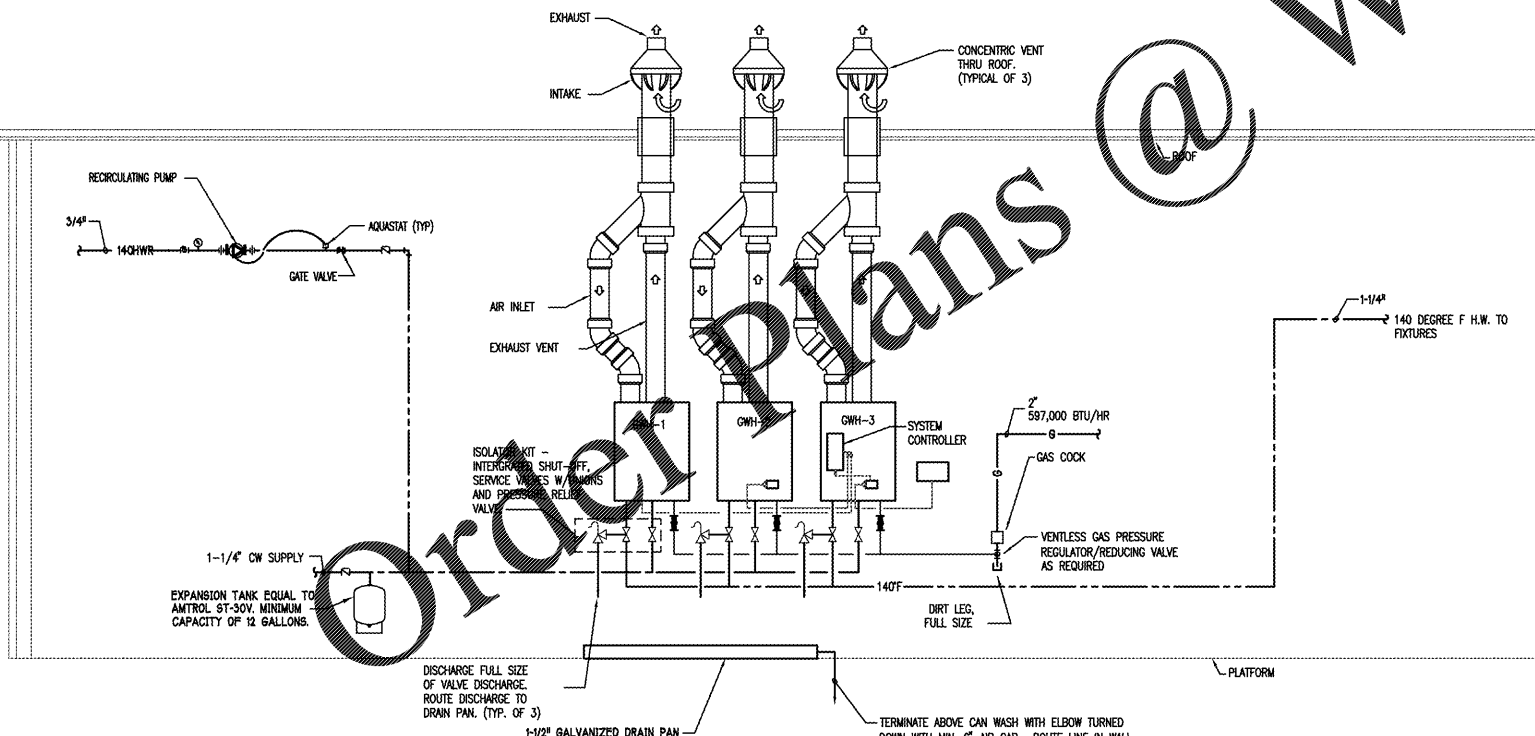
7 RECIRCULATION PUMP DETAIL
P7 NOT TO SCALE



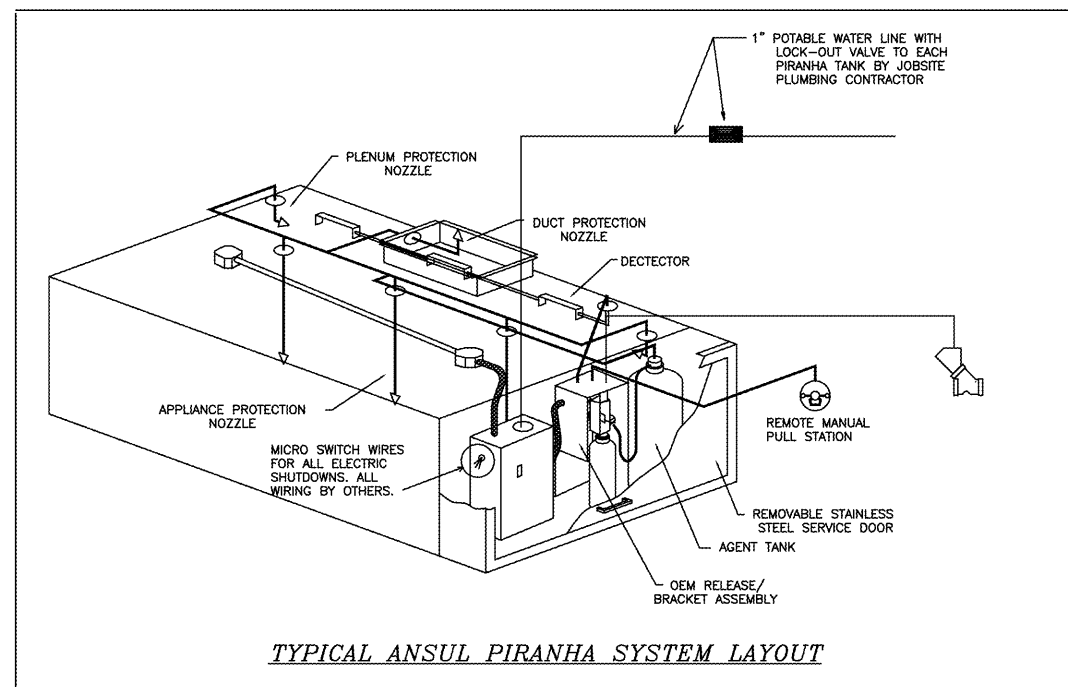
8 BAYARD CLEAN OUT DETAIL
P7 NOT TO SCALE



9 FLOOR SINK DETAIL
P7 NOT TO SCALE

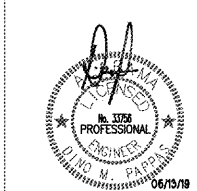


10 GAS WATER HEATER DETAIL
P7 NOT TO SCALE



11 ANSUL PIRANHA SYSTEM DETAIL
P7 NOT TO SCALE

NOTE:
INSTANTANEOUS WATER HEATERS (GWH-1, GWH-2 AND GWH-3) MUST BE WALL MOUNTED ABOVE CAN WASH WITH MINIMUM REQUIRED CLEARANCES.
PUMP SHOULD BE CONTROLLED BY AN AQUASTAT, TIMER OR COMBINATION AQUASTAT AND TIMER.
CONDENSATE PIPING SHALL BE COPPER ONLY MATERIAL AND SHALL NOT BE SMALLER THAN THE DRAIN CONNECTION ON THE APPLIANCE. COMPONENTS OF THE CONDENSATE DRAINAGE SHALL BE COPPER ONLY MATERIAL.



Mk	Date	Description
		Revisions

PLUMBING DETAILS

Date: 06/13/19
Drawn By: PNK
Check By: AWC
Job No.: 19-037
Sheet: