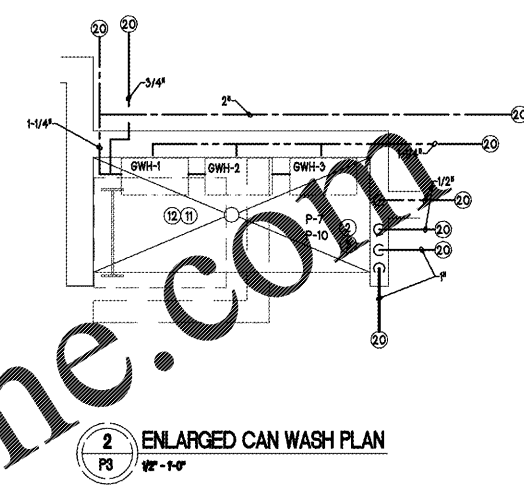
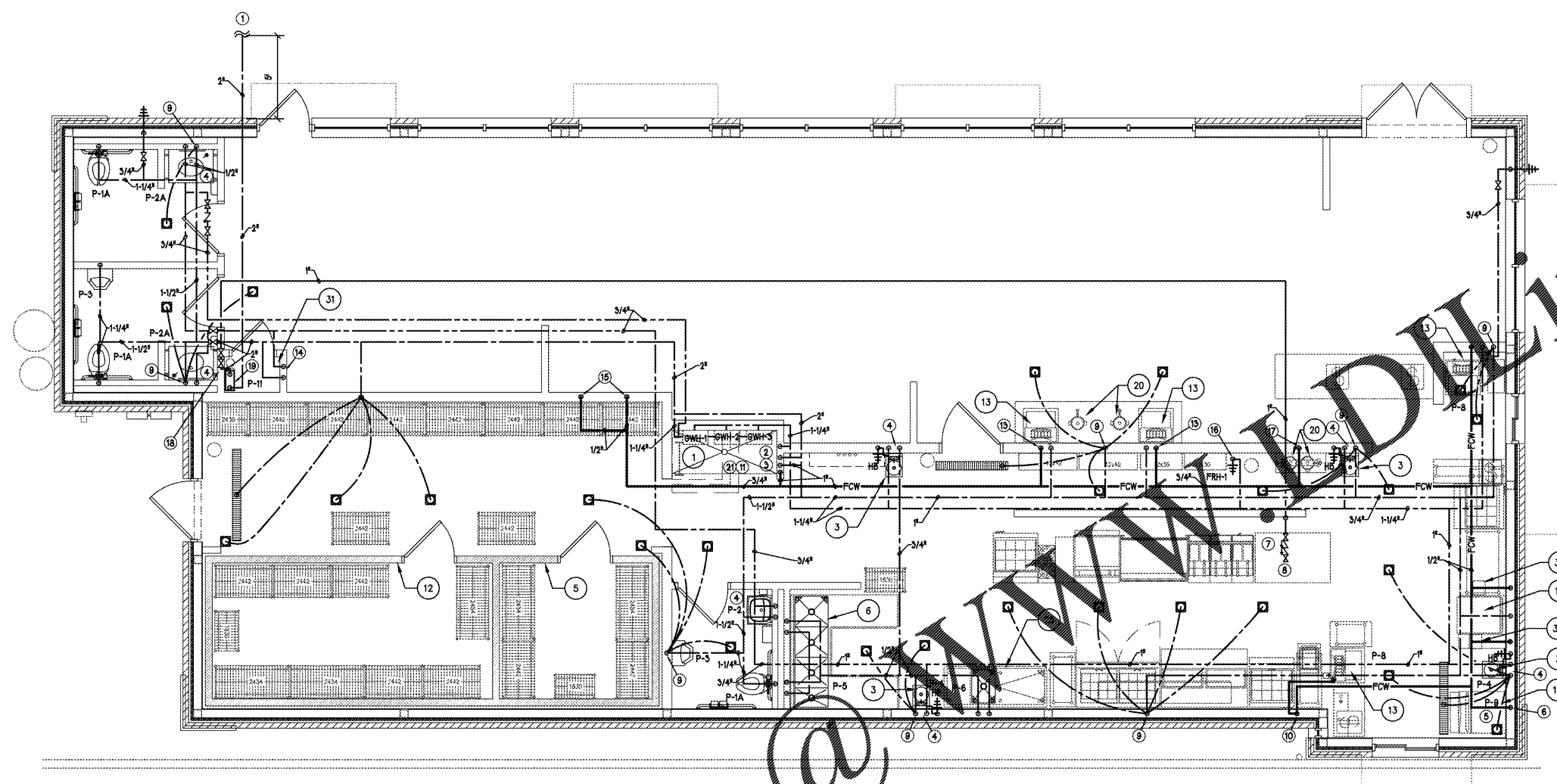




Mk	Date	Description
		Revisions

WATER PIPING PLAN

Date: 06/13/19
 Drawn By: PNK
 Check By: AWC
 Job No.: 19-037
 Sheet:



2 ENLARGED CAN WASH PLAN
 1/4" = 1'-0"

1 WATER PIPING PLAN
 1/4" = 1'-0"

CONSTRUCTION NOTES

- 2" CW SERVICE - SEE SITE PLAN FOR CONTINUATION. PROVIDE DRAIN VALVE AND SHUT-OFF VALVE IN RISE AT A HEIGHT OF 18" A.F.F. WITH ACCESS PANEL.
- FILTER FOR OWNER REQUIRED FILTERED WATER LINE(S) TO ICE MACHINE AND BEVERAGE EQUIPMENT.
- VERIFY WATER FILTER LOCATION WITH KITCHEN LAYOUT PRIOR TO PERFORMING ANY WORK.
- PROVIDE MIXING VALVE THAT COMPLIES TO ASSE 1016 OR ASSE 1017 TO REDUCE TEMPERATURE TO A DEFINED LIMIT NOT TO EXCEED 110 DEGREES F. PROVIDE MIXING VALVE TO HAND SINKS/LAVS THAT DO NOT COME WITH BUILT-IN TEMPERING VALVE.
- PROVIDE ZURN WILKINS MODEL 730/735 (OR EQUAL) BACKFLOW PREVENTION TYPE VACUUM BREAKER THAT MEETS ASSE 1020 OR 1056.
- PROVIDE WATER LINE AT 7'-6" A.F.F.
- IF DOUBLE CHECK BACKFLOW PREVENTOR ON WATER SUPPLY PIPING FOR ANSUL FIRE SUPPRESSION SYSTEM PER MANUFACTURER'S SPECIFICATIONS. BACKFLOW AND LOCKING BALL VALVE FOR THE HOOD WATER LINE SHOULD BE LOCATED ABOVE THE CEILING, CLOSE TO THE HOOD.
- IF WATER SUPPLY TO HOOD ANSUL PIRANHA SYSTEM. REFERENCE MECHANICAL HOOD DETAILS FOR PIPING SPECIFICATIONS.
- PROVIDE TRAP PRIMER IN AN ACCESSIBLE LOCATION.
- RUN 1/2" CW LINE UNDERGROUND TO SERVE BEVERAGE MACHINE.
- ALL WATER HEATERS TO HAVE 18" CLEARANCE BETWEEN EACH WATER HEATER AND 2'-0" ABOVE.
- WATER PIPING ROUTING SHOWN IS FOR CLARITY. P.C. TO COORDINATE EXACT ROUTING AROUND ROOF ACCESS.
- PROVIDE WATER LINE AT 2'-0" A.F.F.
- PROVIDE WATER LINES AT 5'-6" AFF.
- 1/2" FILTERED WATER DOWN TO BAG & BOX.
- 3/4" HW UP TO HOSE BIB ON THE ROOF. SEAL ROOF PENETRATION WATER TIGHT. PROVIDE 3/4" DRAIN LINE FROM HRRH-1 ANTI-FREEZE INTO NEAREST FLOOR DRAIN/SINK.
- PROVIDE WATER LINE AT 7'-0" A.F.F.
- PROVIDE A MAIN SHUT-OFF VALVE AND DRAIN VALE IN A BOX AT 36" A.F.F. IN AN ACCESSIBLE LOCATION. PLUMBING CONTRACTOR MUST COORDINATE EXACT LOCATION WITH ARCHITECT/OWNER/OWNER'S REP PRIOR TO PERFORMING ANY WORK.
- PROVIDE 2" RPZ BACKFLOW PREVENTER ONLY IF BACKFLOW PREVENTERS WILL NOT BE INSTALLED ON SITE. BACKFLOW PREVENTER TO BE ZURN WILKINS MODEL # 875XLS (OR EQUAL). PLUMBING CONTRACTOR TO INSTALL BACKFLOW PREVENTER IN AN ACCESSIBLE LOCATION. PLUMBING CONTRACTOR MAY INSTALL BACKFLOW PREVENTER IN A VERTICAL POSITION IF THERE IS NOT ENOUGH SPACE AVAILABLE. P.C. MUST VERIFY EXACT LOCATION WITH ARCHITECT/OWNER/OWNER'S REP PRIOR TO PERFORMING ANY WORK.
- SEE 1/4" FOR CONTINUATION.

REQD. WATER HEATER RECOVERY

(7) HAND SINK/LAVS	3.56PM
(8) 4-COMP. SINK	26PM
(9) PREP SINK	26PM
(10) MOP SINK	16PM
(5) HOSE BIBB	56PM
(11) CAN WASH	16PM
TOTAL	14.5 GPM

GENERAL NOTES

- COOK OUT WILL NEED MINIMUM OF 1-1/2" WATER METER. P.C. TO VERIFY EXISTING WATER METER SIZE (IF AVAILABLE) PRIOR TO PERFORMING ANY WORK. P.C. TO ADD LINEAR FOOT COST OF NEW WATER METER DURING THEIR BID IN CASE EXISTING WATER METER DOES NOT MEET REQUIREMENTS. NEW WATER METER MUST MEET REQUIREMENTS OF LAHJ.
- P.C. TO VERIFY BACKFLOW PREVENTER REQUIREMENTS WITH LAHJ PRIOR TO PERFORMING ANY WORK. P.C. TO ADD LINEAR FOOT COST OF NEW BACKFLOW PREVENTER DURING THEIR BID IN CASE EXISTING BACKFLOW PREVENTER (IF AVAILABLE) DOES NOT MEET REQUIREMENTS (IF AVAILABLE) OR LAHJ REQUIRES TO PROVIDE A NEW BACKFLOW PREVENTER FOR THIS SPACE. COFFEE OUT WILL NEED MINIMUM OF 2" BACKFLOW PREVENTER.
- ALL PLUMBING SUPPLY PIPING TO BE COPPER.
- MAIN WATER LINE AND A WATER LINE SERVING TRAP PRIMER MUST BE INSTALLED UNDER SLAB; ALL OTHER WATER PIPING TO BE INSTALLED OVERHEAD OR IN WALLS OR AS SHOWN ON PLUMBING PLANS.

MARK	EQUIPMENT	MANUFACTURER	MODEL #
(1)	CAN WASH AREA		
(3)	WALL MOUNTED HAND SINKS	TITAN STAINLESS	
(5)	WALK-IN FREEZER	THERMORITE	
(6)	(4) COMPARTMENT SINK	TITAN STAINLESS	CUSTOM BUILT
(12)	WALK-IN COOLER	THERMORITE	
(13)	CARBONATED BEVERAGE MACHINE W/ ICE BIN	SUPPLIED BY COFFEE DISTRIBUTOR	
(15)	ICE MAKER W/ BIN	MANITOWOC	RCUF-1000
(17)	MILKSHAKE MACHINE (ON CART)	TAYLOR	444 SHAKE FREEZER
(20)	TEA DISPENSERS		
(25)	VEGETABLE CHOPPER SINK	TITAN STAINLESS	CUSTOM BUILT
(30)	(2) DRINK MIXERS	TAYLOR (RAZZLE BLENDER)	BC10
(31)	DINING ROOM MOP SINK		

OWNER IS RESPONSIBLE TO VERIFY ALL EQUIPMENT SPECIFICATIONS & TYPES PRIOR TO PURCHASE AND INSTALLATION. GC TO COORDINATE ALL EQUIPMENT & CONNECTIONS W/ OWNER PRIOR TO PURCHASE & INSTALLATION.

NOTES:

- ALL FOOD SERVICE/KITCHEN EQUIPMENT TO BE UL-LABELED, CLASSIFIED FOR SANITATION & MUST COMPLY WITH LOCAL STATE BUILDING CODES.

Order Plans @ [lindseyarchitecture.com](mailto:plans@lindseyarchitecture.com)