

**MUA FAN INFORMATION - Job#3103871**

FAN UNIT NO.	TAG	FAN UNIT MODEL #	BLOWER	HOUSING	DESIGN CFM	ESP.	RPM	H.P.	B.H.P.	#	VOLT	FLA	WEIGHT (LBS.)	SONES	BURNER EFFICIENCY(%)
1	KSF-1	A1-D.250-G10	G10	A1-D.250	3120	0.450	1308	2.000	1.8720	3	208	5.9	597	27	92

**GAS FIRED MAKE-UP AIR UNIT(S)**

FAN UNIT NO.	TAG	INPUT BTUs	OUTPUT BTUs	TEMP. RISE	REQUIRED INPUT GAS PRESSURE	GAS TYPE
1	KSF-1	185925	171051	55 deg F	7 in. w.c. - 14 in. w.c.	Natural

**FAN OPTIONS**

FAN UNIT NO.	TAG	OPTION (Qty. - Descr.)
1	KSF-1	1 - Motorized Backdraft Damper for A1-D Housing 1 - AC Interlock Relay - 24VAC Coil 1 - Low Fire Start 1 - Inlet Pressure Gauge, 0-35" 1 - Manifold Pressure Gauge, -5 to 15" wc

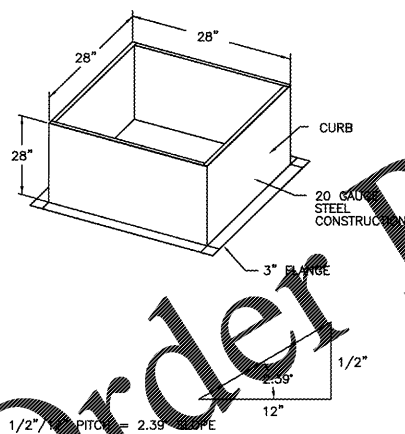
**FAN ACCESSORIES**

FAN UNIT NO.	TAG	EXHAUST			SUPPLY			
		GREASE CUP	GRAVITY DAMPER	WALL MOUNT	SIDE DISCHARGE	GRAVITY DAMPER	MOTORIZED DAMPER	WALL MOUNT
1	KSF-1						YES	

**CURB ASSEMBLIES**

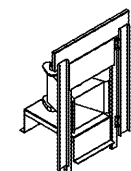
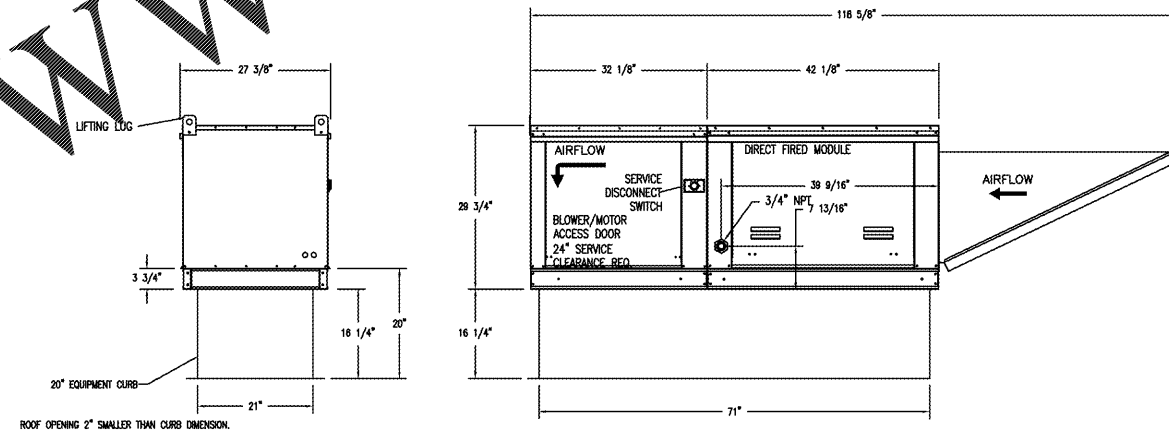
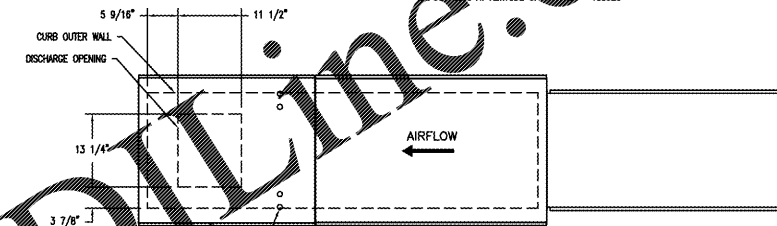
NO.	ON FAN	WEIGHT	ITEM	SIZE
1	# 1	83 LBS	Curb	21.000"W x 71.000"L x 20.000"H 0.500:12.000 Pitch Along Width, Right Insulated
2		83 LBS	Curb	28.000"W x 28.000"L x 28.000"H 0.500:12.000 Pitch

CURB #2 HRE28X28E



- FAN #1 A1-D.250-G10 - HEATER
- DIRECT GAS FIRED HEATED MAKE UP AIR UNIT WITH 10" BLOWER
  - INTAKE HOOD WITH EZ FILTERS
  - DOWN DISCHARGE - AIR FLOW RIGHT -> LEFT
  - MOTORIZED BACK DRAFT DAMPER 18" X 18" FOR SIZE 1 STANDARD & MODULAR HEATER AND UNTEMPERED UNITS W/EXTENDED SHAFT, STANDARD GALVANIZED CONSTRUCTION, 3/4"
  - REAR FLANGE, TFB1225S ACTUATOR INCLUDED
  - COOLING INTERLOCK RELAY - 24VAC COIL, 120V CONTACTS. LOCKS OUT BURNER CIRCUIT WHEN AC IS ENERGIZED.
  - LOW FIRE START. ALLOWS THE BURNER CIRCUIT TO ENERGIZE WHEN THE MODULATION CONTROL IS IN A LOW FIRE POSITION.
  - GAS PRESSURE GAUGE, 0-35", 2.5" DIAMETER, 1/4" THREAD SIZE
  - GAS PRESSURE GAUGE, -5 TO +15 INCHES WC., 2.5" DIAMETER, 1/4" THREAD SIZE

SUPPLY SIDE HEATER INFORMATION  
 WATER TEMPERATURE - 180°F. TEMP. RISE = 35°F.  
 BTUs CALCULATED OFF DESIGN AIR DENSITY  
 OUTPUT BTUs AT ALTITUDE 0 - 171051  
 OUTPUT BTUs AT ALTITUDE 1000 - 185925



Direct Fired (DF) Profile Plate Assembly

**Direct Fired Profile Plate Specifications:**  
**Description:**  
 Direct fired burners shall have patented (US Patent No.: US6629523B2), self-adjusting profile plates designed to ensure proper air velocity and pressure drop across the burner. Profile plates shall allow burners to achieve clean combustion by limiting by-product levels to a maximum of 5ppm of carbon monoxide (CO), and 0.5ppm of nitrogen dioxide (NO2).  
**Application:**  
 Spring-loaded burner profile plates are engineered to automatically react to the momentum of a fresh air stream, without the need for any motors or actuators to mechanically adjust them. With this feature, all DF units are designed for demand control ventilation (DCV) requirements.  
**Certifications:**  
 All profile plate assemblies shall be included in the DF unit's ETL listing and comply with combined safety standards ANSI Z83.4 and CSA 3.7 (non-recirculating DF heaters) and ANSI Z83.18 (recirculating DF heaters).  
**General Construction:**  
 -Profile plates shall be formed from G90 galvanized steel.  
 -Profile plates shall vary in size per unit.  
 -Profile plates shall be mounted along the same plane as the discharge of the burner.  
 -Design shall incorporate properly torqued, permanently mounted spring hinges.  
 -Spring hinges shall be made from plated steel.

Order Plans @ WWW.LDIDLINE.COM

Mk	Date	Description
		Revisions