

**HOOD INFORMATION - Job#3263961**

HOOD NO.	TAG	MODEL	LENGTH	MAX. COOKING TEMP.	TOTAL EXH. CFM	EXHAUST PLENUM					MUA CFM	AC CFM	HOOD CONSTRUCTION	HOOD CONFIG.		
						WIDTH	LENG.	HEIGHT	DIAM.	CFM				VEL.	S.P.	END TO END
1	HOOD-1	542H NS-2-ACSP-F	15' 0"	600 Deg.	3900	9"	37"	4"	3900	1688	-0.720"	3120	880	430 SS Where Exposed	ALONE	ALONE

**Fire System Information - Job#3103871**

FIRE SYSTEM NO.	Tag	TYPE	SIZE	FLOW POINTS	INSTALLATION	
					SYSTEM	LOCATION ON HOOD
1		Ansul Piranha	10	10	Fire Cabinet	Right

**HOOD INFORMATION**

HOOD NO.	TAG	TYPE	QTY.	HEIGHT	LENGTH	EFFICIENCY @ 7 MICRONS	QTY.	TYPE	WIRE GUARD	LOCATION	SIZE	FIRE SYSTEM		ELECTRICAL	SWITCHES	FIRE SYSTEM PIPING	HOOD HANGING WEIGHT
												SIZE	MODEL #				
1	HOOD-1	SS Baffle with Handles	11	16"	16"	30%	8	L55 Series E28	NO	Right	12"x54"x24"	Ansul Piranha	10	SC-31110FP	1 Light 1 Fan	YES	1108 LBS

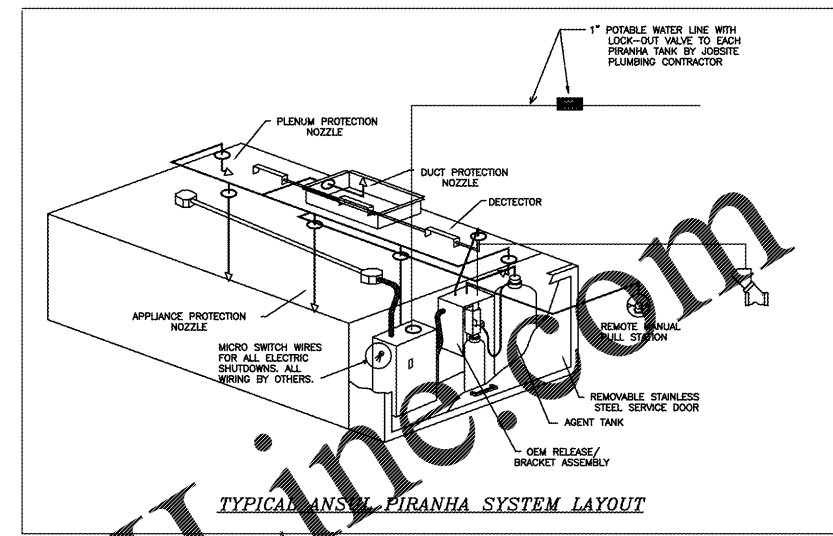
**HOOD OPTIONS**

HOOD NO.	TAG	OPTION
1	HOOD-1	FIELD WHISPER 17.00" High Front, Left, Right
		BACKSPASH 120.00" High X 192.00" Long 430 SS Vertical
		LEFT QUARTER END PANEL 23" Top Width, 0" Bottom Width, 23" High 430 SS
		RIGHT QUARTER END PANEL 23" Top Width, 0" Bottom Width, 23" High 430 SS
		STRUCTURAL FRONT PANEL

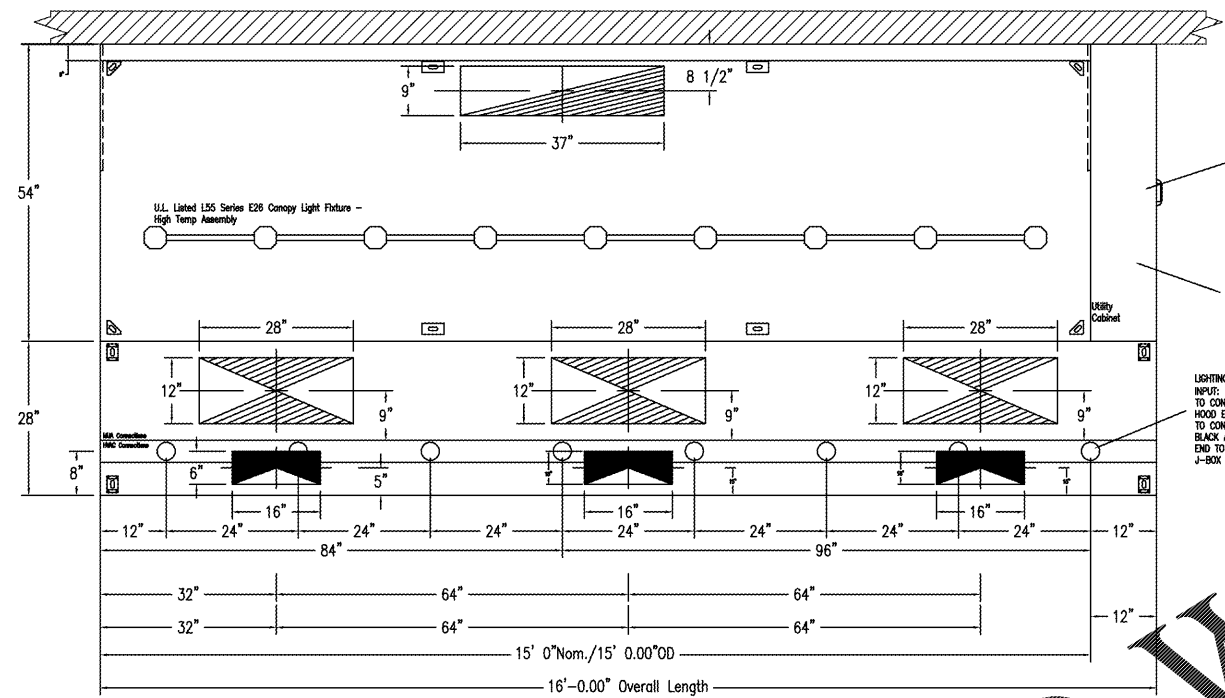
**PERFORATED SUPPLY PLENUM(S)**

HOOD NO.	TAG	POS.	LENGTH	WIDTH	HEIGHT	RISERS				
						TYPE	WIDTH	LENG.	DIAM.	CFM
1	HOOD-1	Front	192"	28"	6"	MIA	12"	28"	1040	0.330"
					MIA	12"	28"	1040	0.330"	
					AC	6"	16"	220	0.074"	
					AC	6"	16"	220	0.074"	

**ANSUL "PIRANHA" SYSTEM NOTES**  
 PLUMBING CONTRACTOR TO CONNECT THE WATER FLOW VALVE AT EACH FIRE SYSTEM TANK TO THE BUILDINGS POTABLE WATER SUPPLY BY A 1" WATER LINE FLOWING WATER PRESSURE BETWEEN 35 AND 100 PSI. THIS WATER LINE MUST BE DEDICATED TO THE PIRANHA SYSTEM AND MUST INCLUDE A SINGLE, FULL FLOW, INDICATING, LOCKED OPEN, TAMPERPROOF SHUT OFF VALVE (PROVIDED BY PLUMBING CONTRACTOR) AND MUST BE CONNECTED TO THE POTABLE WATER SUPPLY LINE IMMEDIATELY DOWNSTREAM FROM THE MAIN SHUT OFF VALVE.

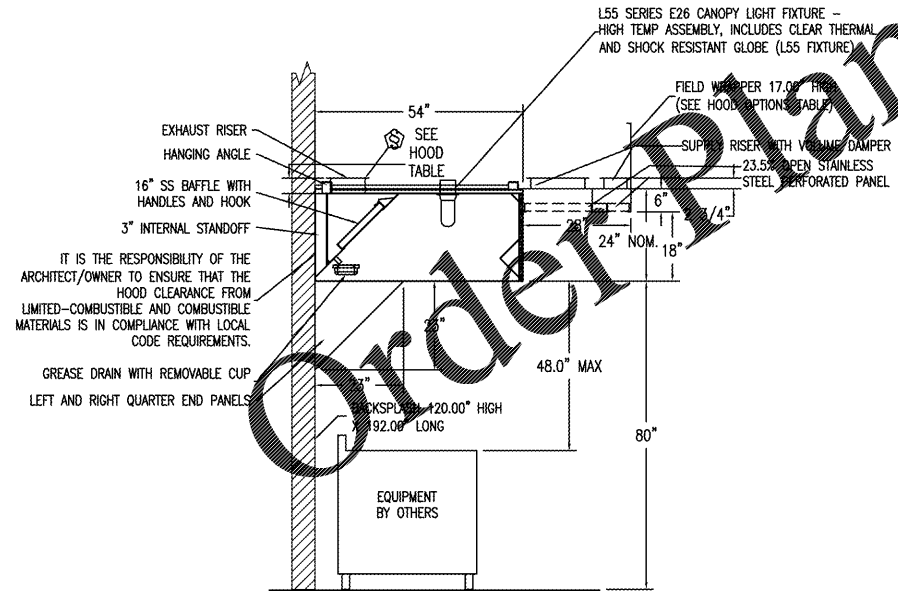


FOR QUESTIONS, CALL THE WESTERN NORTH CAROLINA OFFICE  
 LONNIE GRANT (REGIONAL MANAGER)  
 PHONE: 336-996-8484, FAX: 336-996-0418  
 EMAIL: reg30@captiveair.com




**PLAN VIEW - Hood #1**  
 15' 0.00" LONG 54.24ND-2-ACSP-F  
 NOTE: Additional hanging angles provided for hoods 12' and longer.

ACSPSP ships loose for field installation



**SECTION VIEW - MODEL**  
 5424ND-2-ACSP-F  
 HOOD - #1

CAPTIVE-AIRE HOODS ARE BUILT IN COMPLIANCE WITH


NFPA #96  
 NSF  
 UL 710 & ULC710 STANDARDS  
 E.T.L. LISTED 3054804-001

**\*\*\* NOTE \*\*\***  
 ALL WALLS THAT COME WITHIN 18" OF HOOD MUST BE METAL STUDS AND SHEETROCK. WOOD STUDS NOT ALLOWED.

WWW.LDILINE.COM

Order Plans @



**VP ENGINEERING**  
 VRETTOS PAPPAS CONSULTING ENGINEERS, P.A.  
 PO Box 31041, Charlotte, NC 28221  
 2515 Calhoun Center Drive, Suite 180, Charlotte, NC 28217  
 704.372.7555 www.vpe.com



2557 COBBS FORD RD PRATTVILLE, AL 36066

Mk	Date	Description
		Revisions

**KITCHEN HOOD SCHEDULE AND DETAILS**

Date: 06/13/19  
 Drawn By: SRP  
 Check By: NMP  
 Job No.: 19-037  
 Sheet:

**M5**