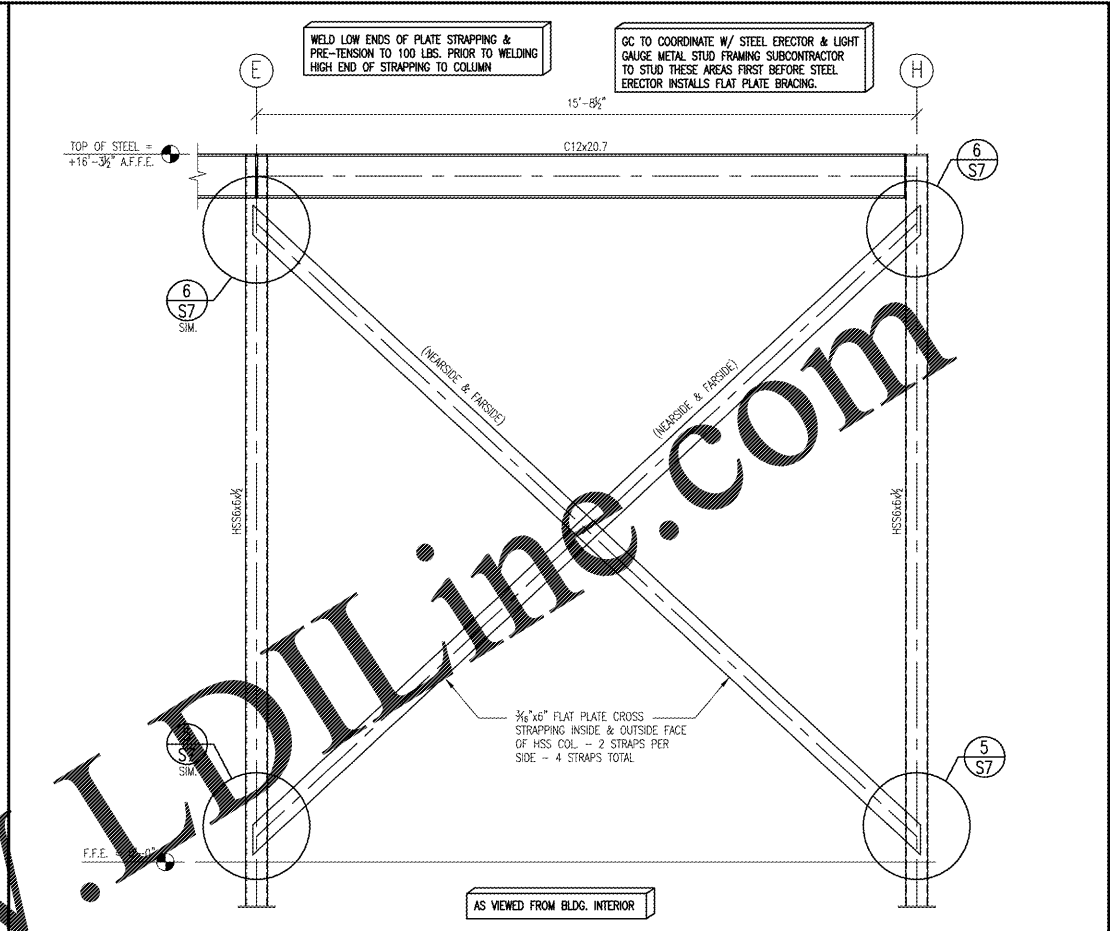


NO.	DATE	DESCRIPTION

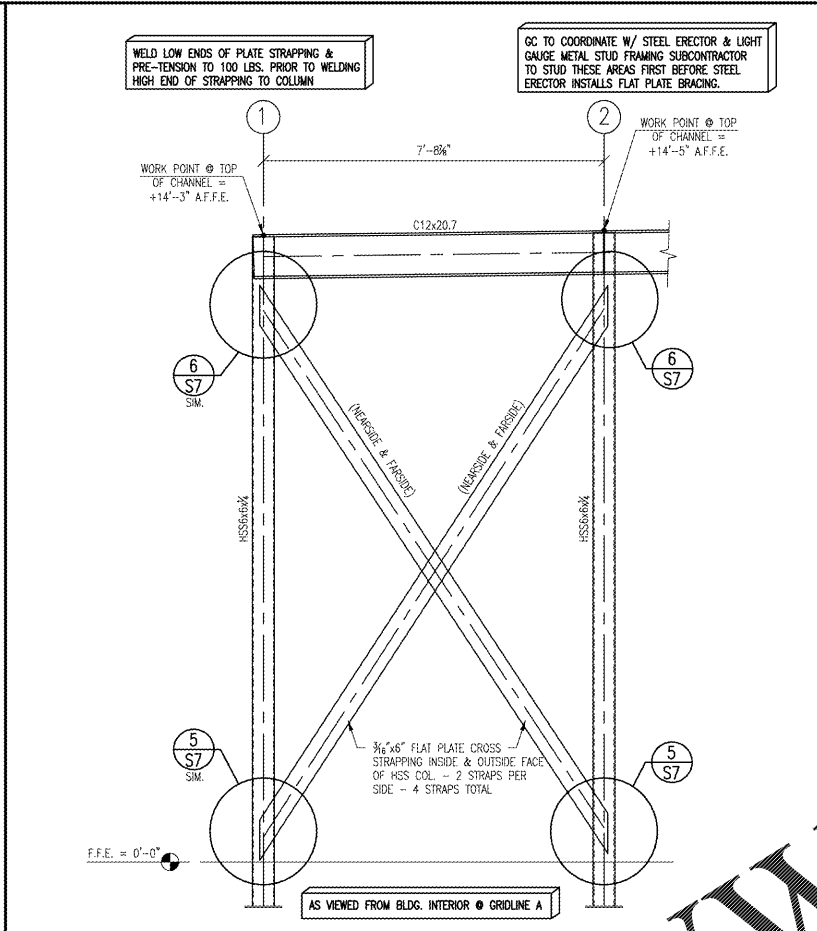
**SECTIONS AND DETAILS**

DATE 06-24-2015  
 DRAWN BY JKP  
 CHECK BY JUM  
 JOB NO. 19-031  
 SHEET

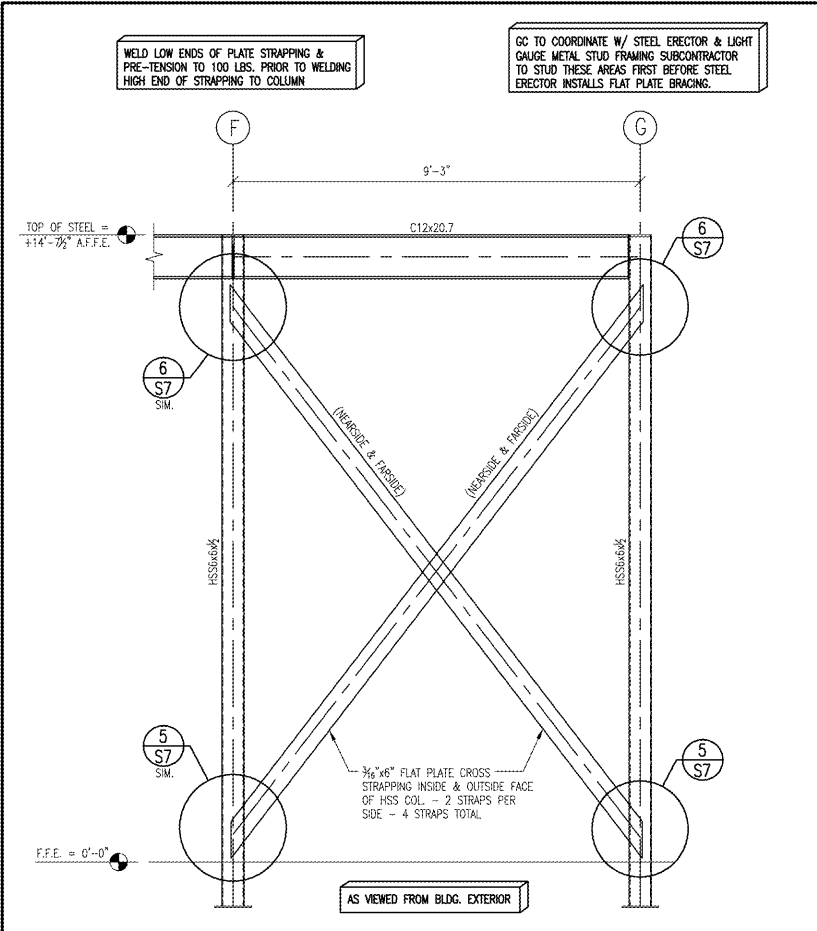
**S7 of S9**



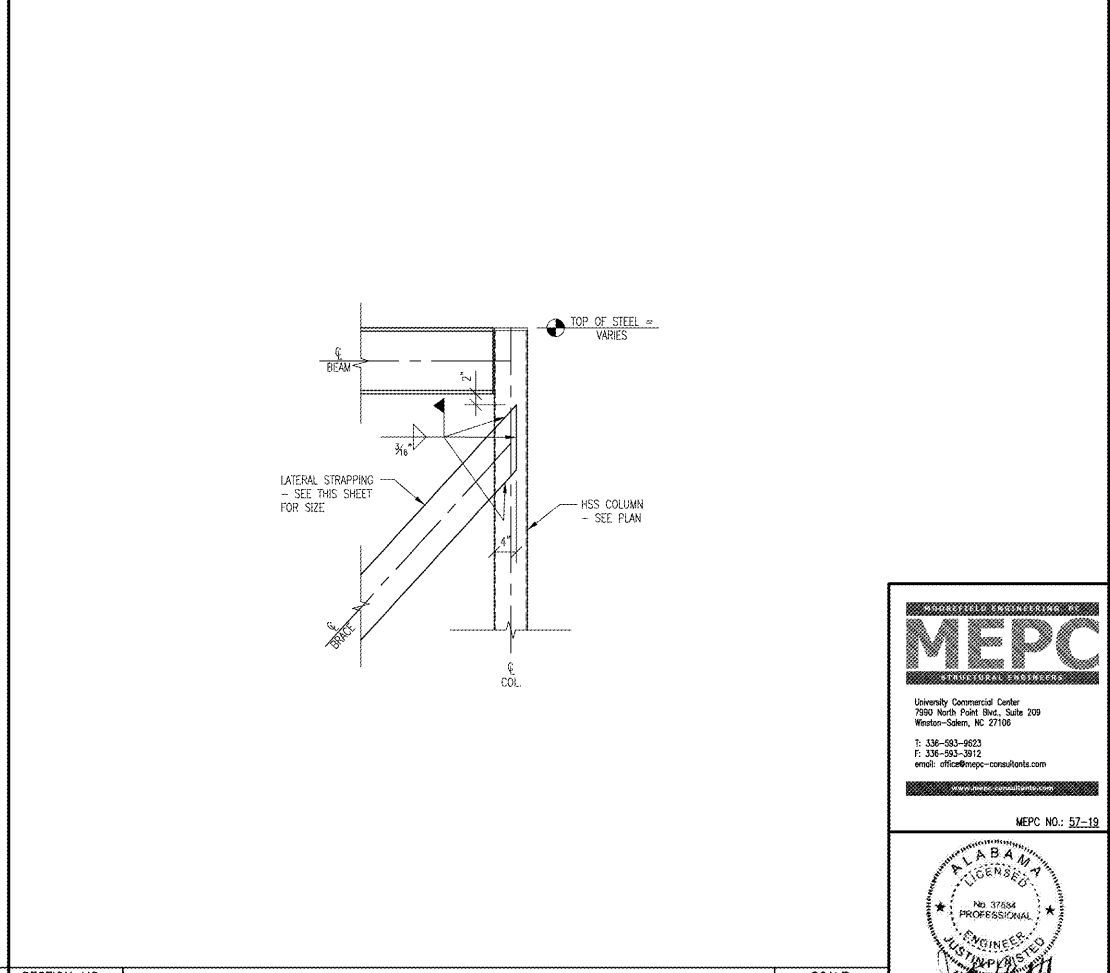
SECTION NO. 3 S7 CROSS STRAPPING DETAIL @ GRIDLINE 10 SCALE 1/2" = 1'-0"



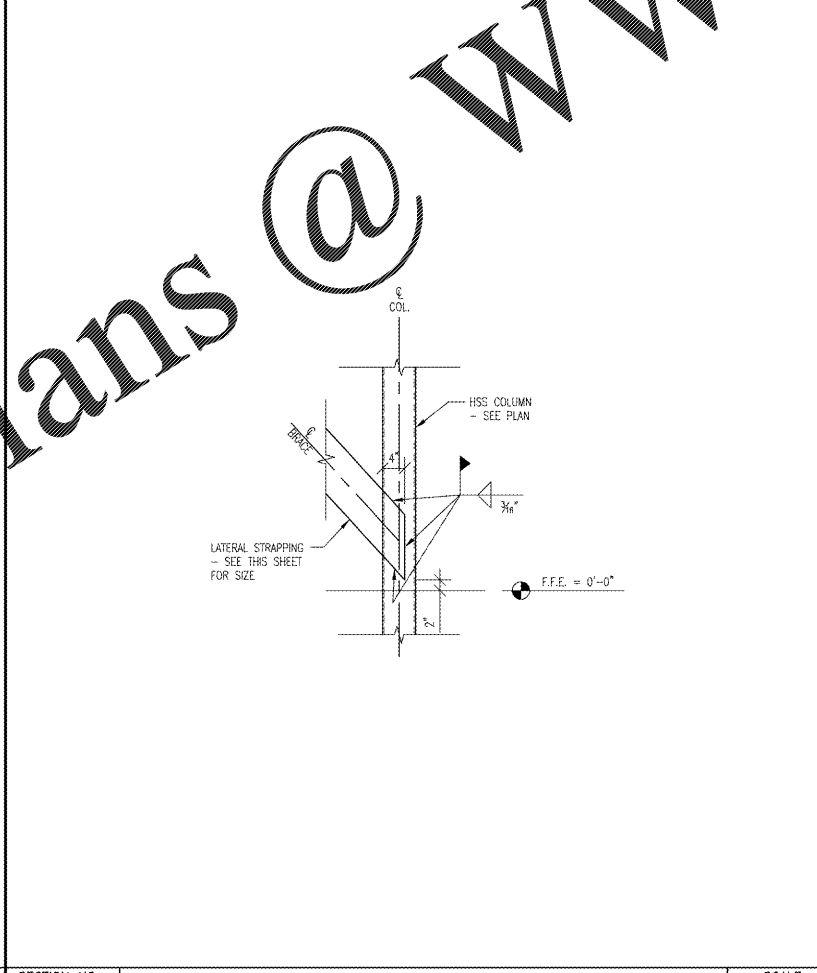
SECTION NO. 2 S7 CROSS STRAPPING DETAIL @ GRIDLINE A SCALE 1/2" = 1'-0"



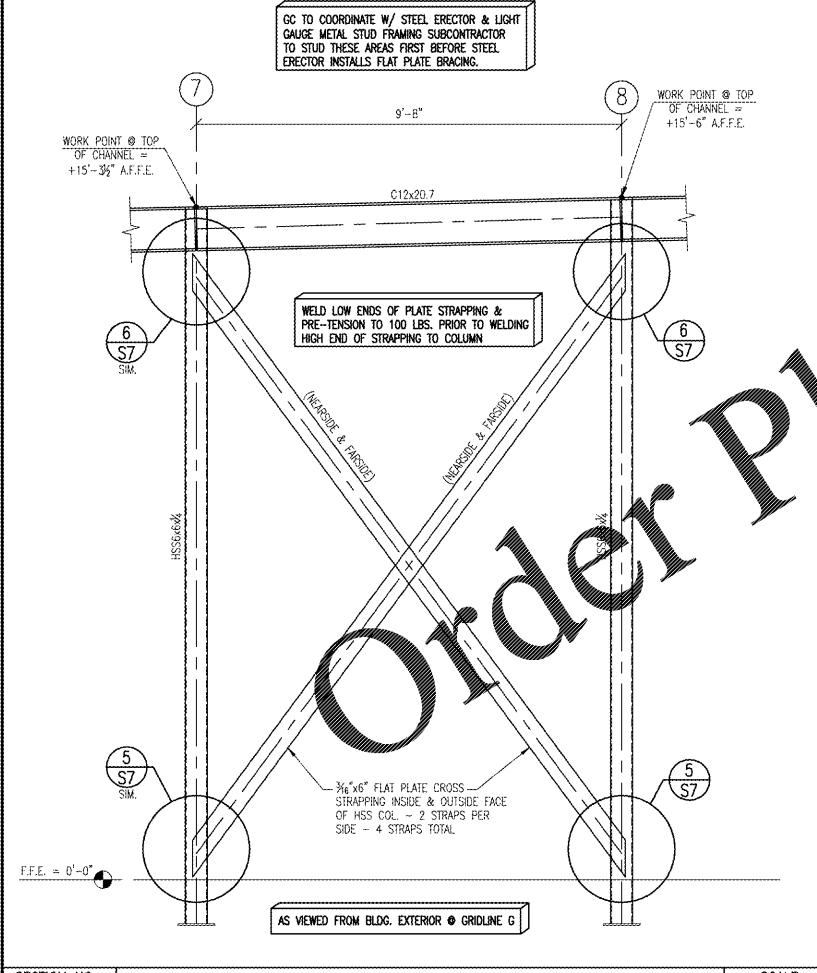
SECTION NO. 1 S7 CROSS STRAPPING DETAIL @ GRIDLINE 2 SCALE 1/2" = 1'-0"



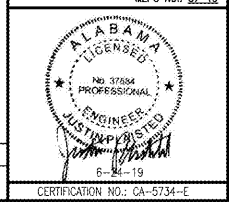
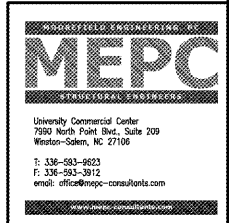
SECTION NO. 6 S7 DETAIL SCALE 3/4" = 1'-0"



SECTION NO. 5 S7 DETAIL SCALE 3/4" = 1'-0"



SECTION NO. 4 S7 CROSS STRAPPING DETAIL @ GRIDLINE G SCALE 1/2" = 1'-0"



Order Plans @ WWW.LDILLINE.COM