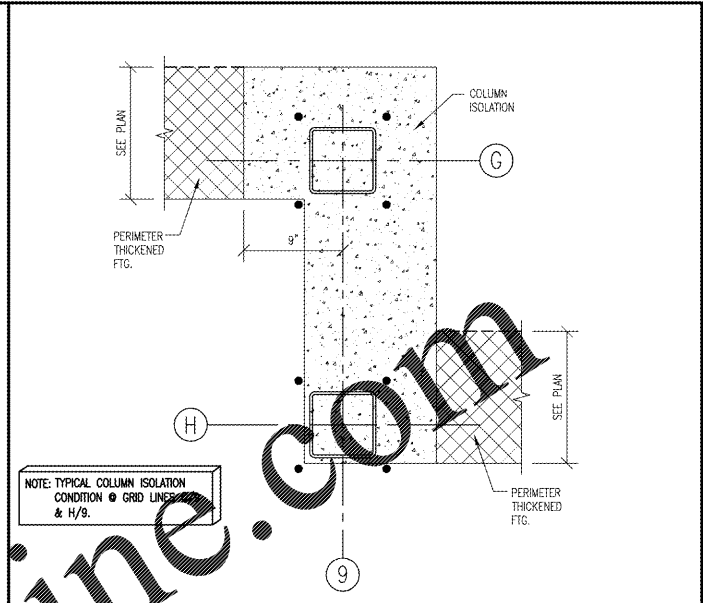
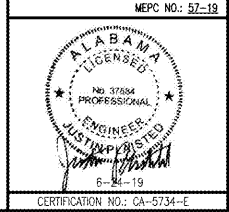
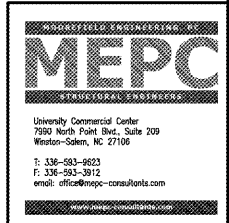


NO.	DATE	DESCRIPTION	REVISIONS

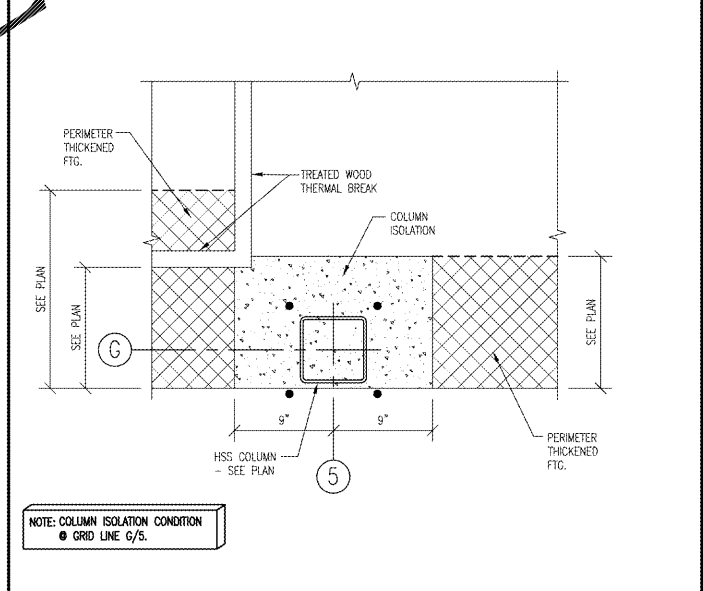
DETAILS

DATE: 06-24-2019
 DRAWN BY: JKP
 CHECK BY: JUM
 JOB NO.: 19-031
 SHEET:

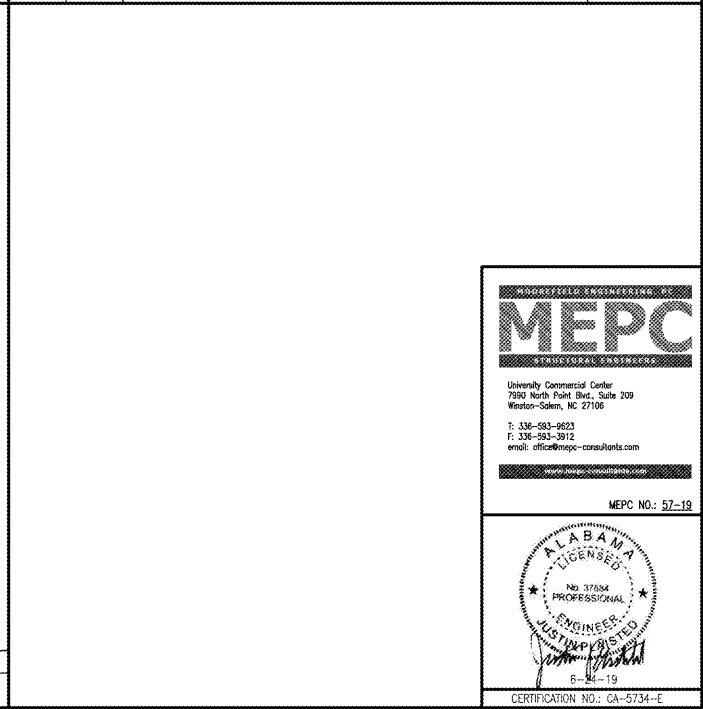
S6 of S9



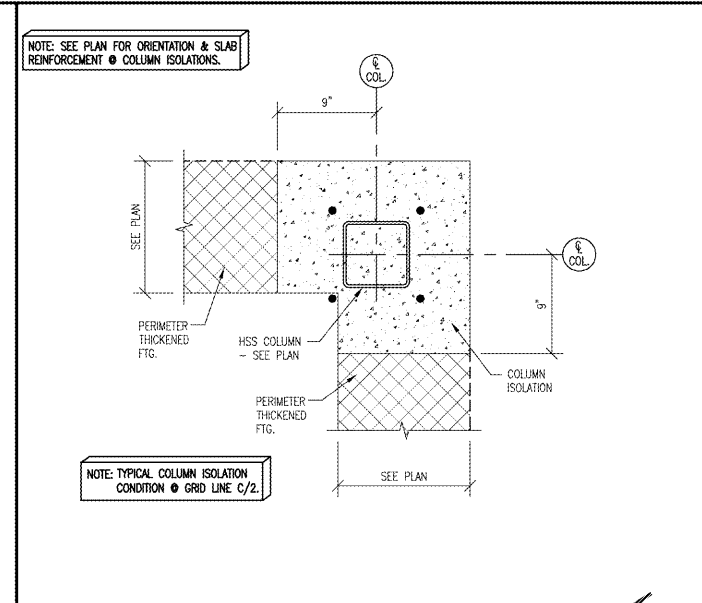
SECTION NO. 4 S6 COLUMN ISOLATION DETAIL SCALE 1/2" = 1'-0"



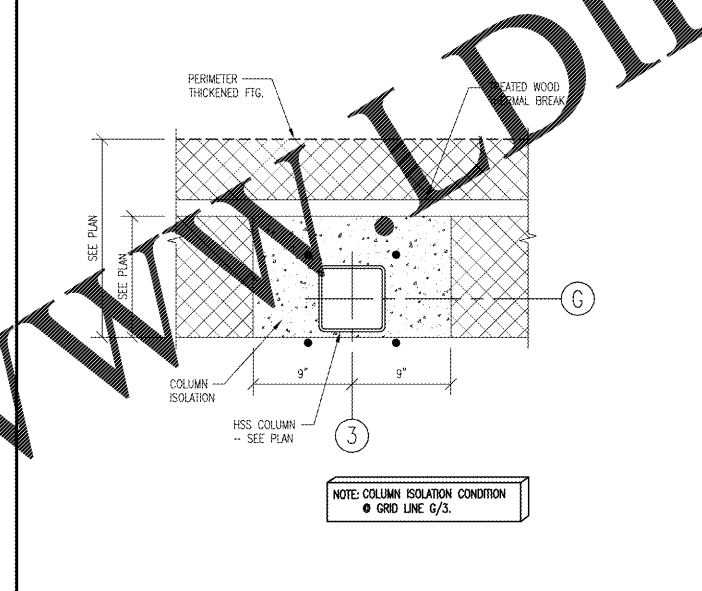
SECTION NO. 5 S6 COLUMN ISOLATION DETAIL SCALE 1/2" = 1'-0"



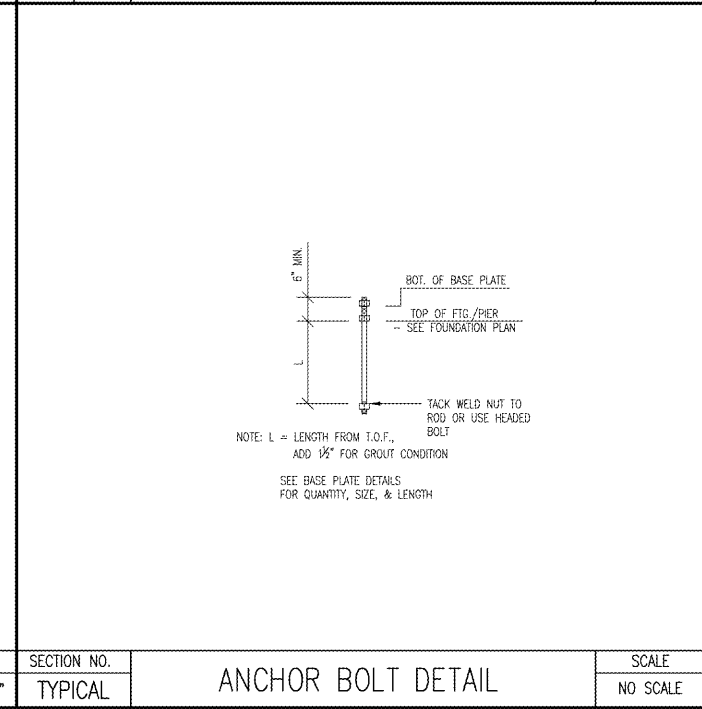
SECTION NO. 6 S6 COLUMN ISOLATION DETAIL SCALE 1/2" = 1'-0"



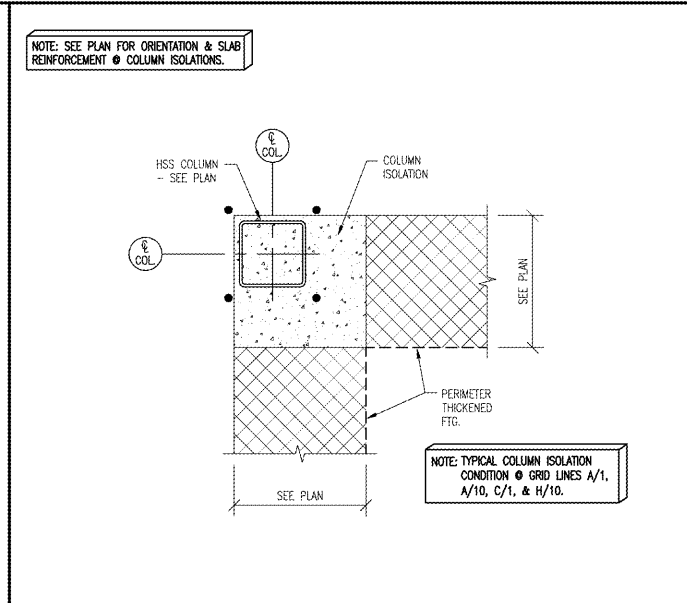
SECTION NO. 3 S6 COLUMN ISOLATION DETAIL SCALE 3/4" = 1'-0"



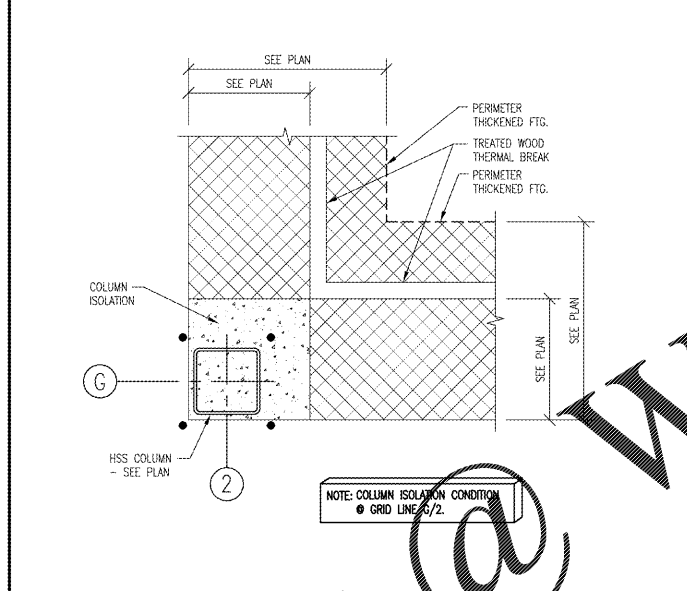
SECTION NO. 7 S6 COLUMN ISOLATION DETAIL SCALE 1/2" = 1'-0"



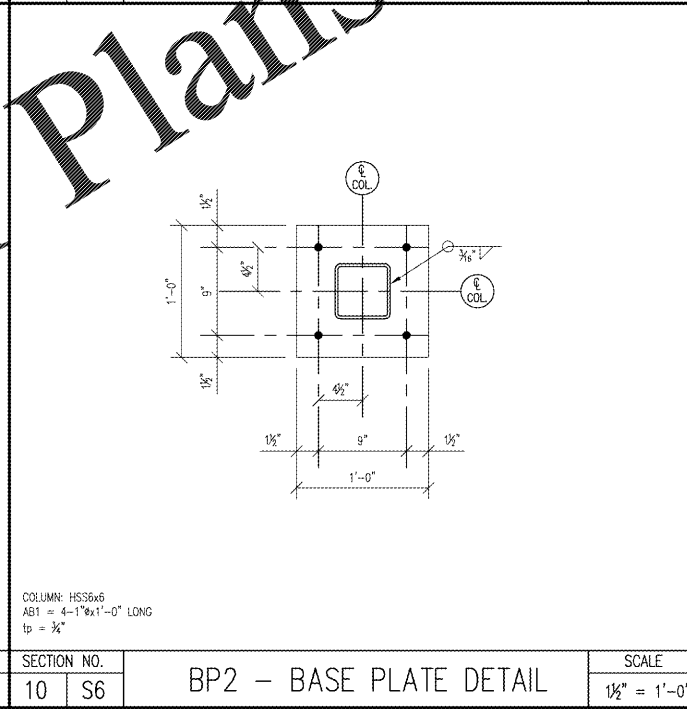
SECTION NO. 8 S6 COLUMN ISOLATION DETAIL SCALE 1/2" = 1'-0"



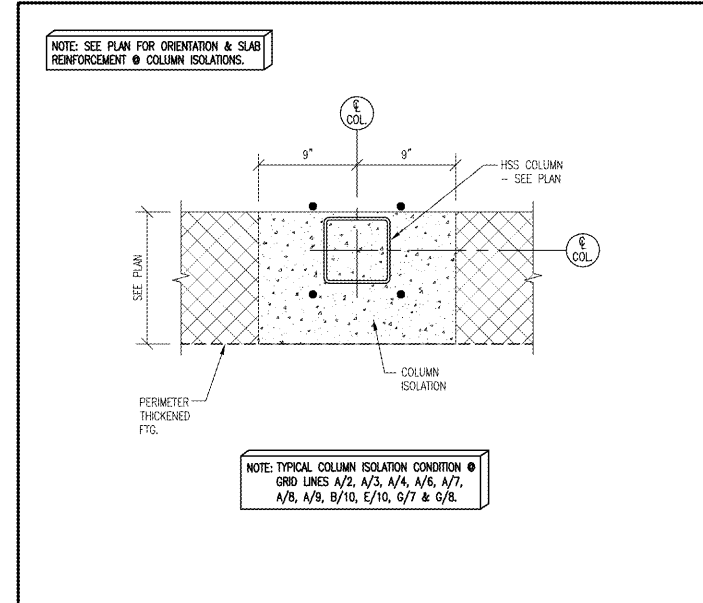
SECTION NO. 2 S6 COLUMN ISOLATION DETAIL SCALE 3/4" = 1'-0"



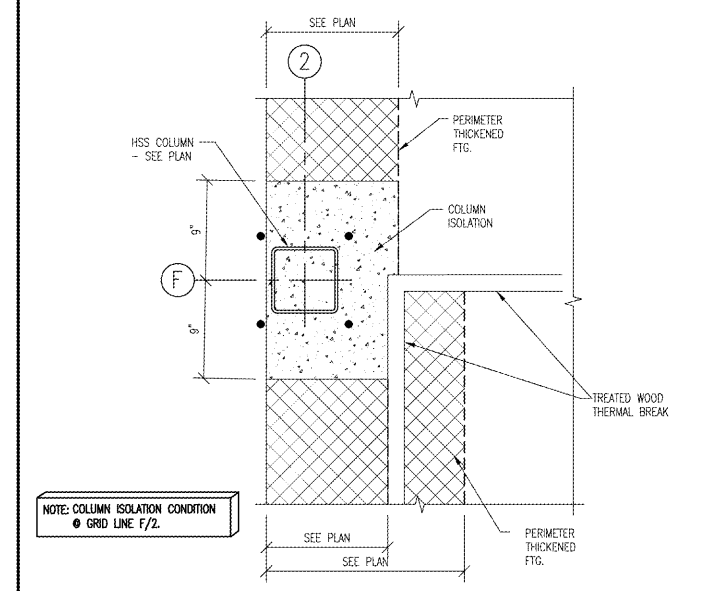
SECTION NO. 9 S6 COLUMN ISOLATION DETAIL SCALE 1/2" = 1'-0"



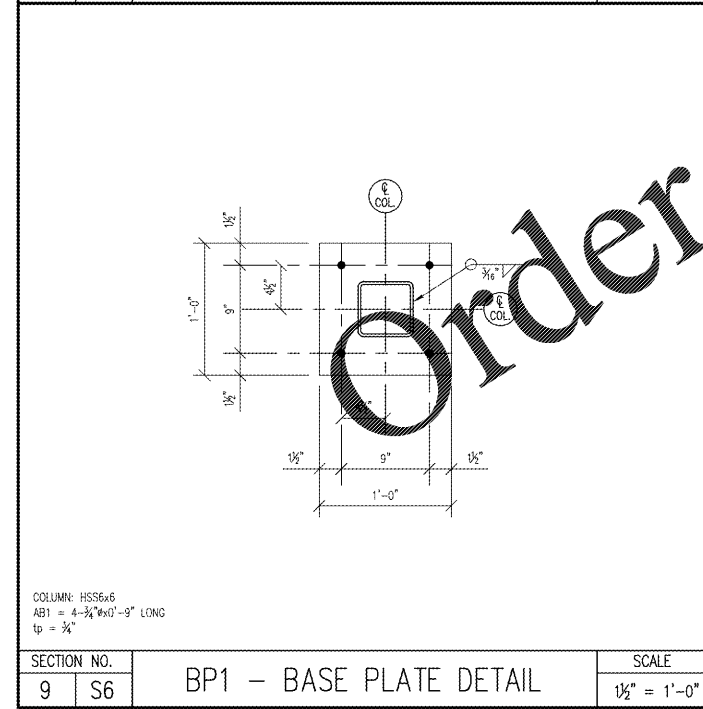
SECTION NO. 10 S6 COLUMN ISOLATION DETAIL SCALE 1/2" = 1'-0"



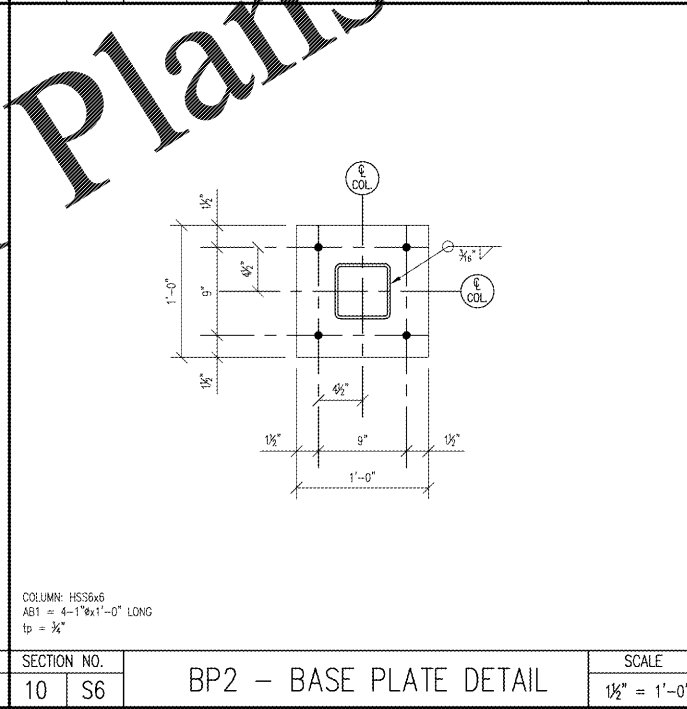
SECTION NO. 1 S6 COLUMN ISOLATION DETAIL SCALE 3/4" = 1'-0"



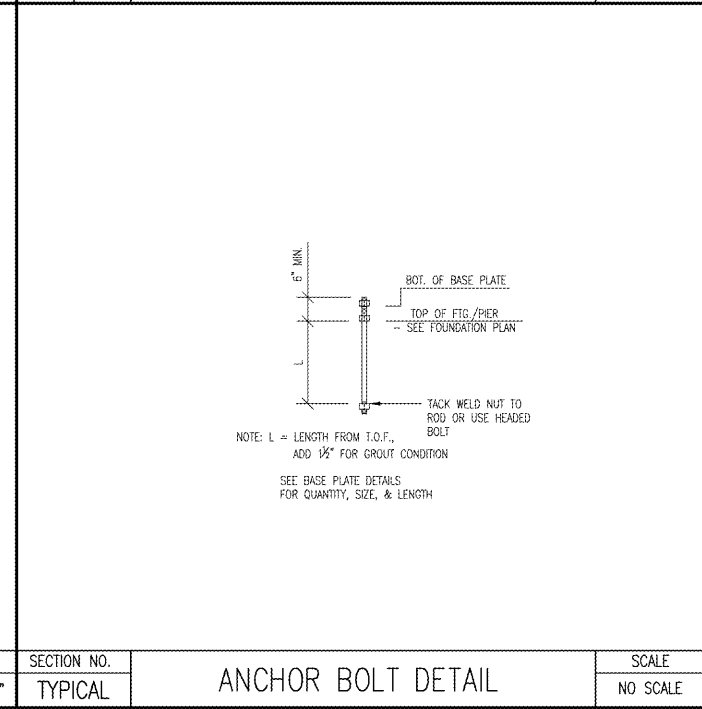
SECTION NO. 5 S6 COLUMN ISOLATION DETAIL SCALE 1/2" = 1'-0"



SECTION NO. 9 S6 BP1 - BASE PLATE DETAIL SCALE 1/2" = 1'-0"



SECTION NO. 10 S6 BP2 - BASE PLATE DETAIL SCALE 1/2" = 1'-0"



SECTION NO. 3 S6 TYPICAL ANCHOR BOLT DETAIL SCALE NO SCALE