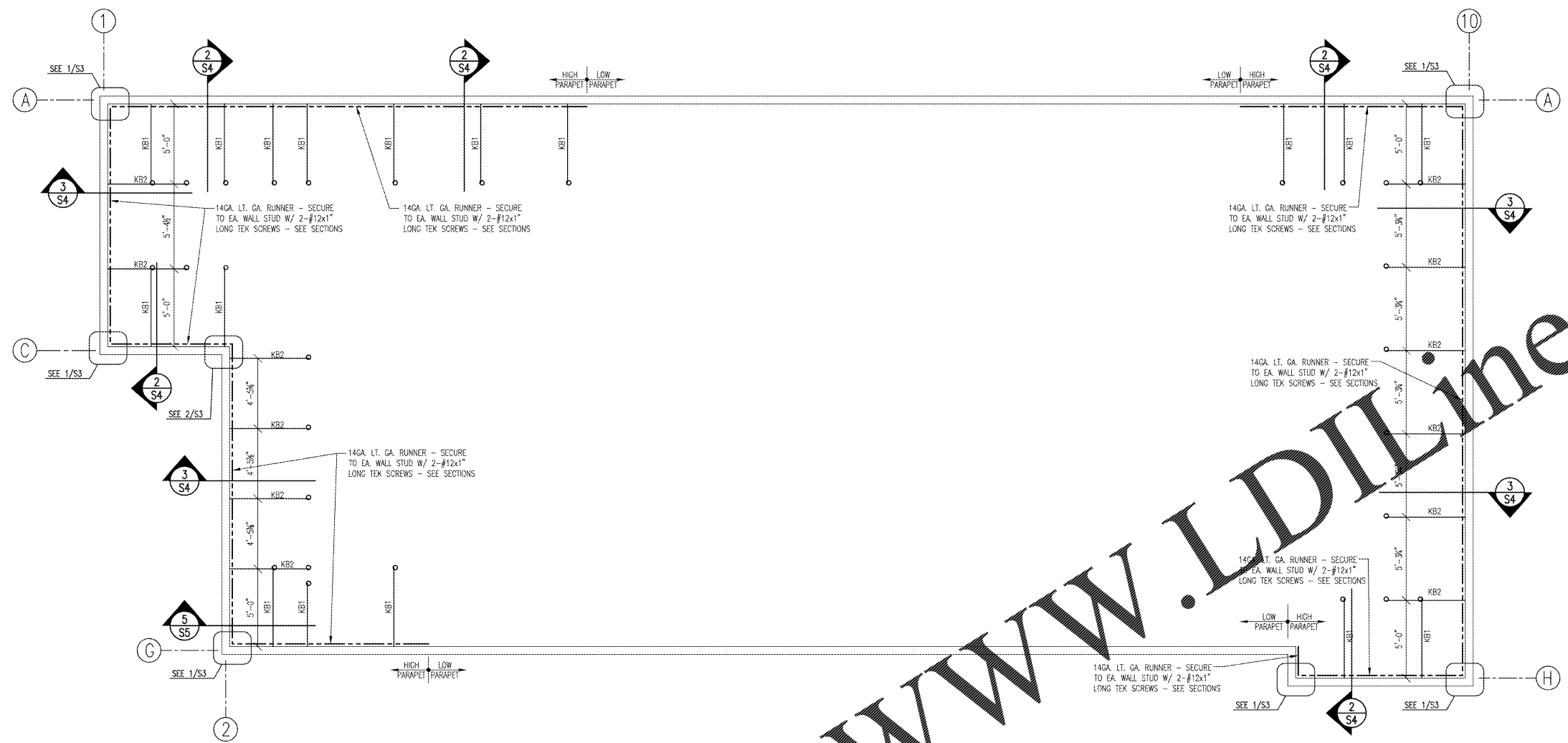


NO.	DATE	DESCRIPTION

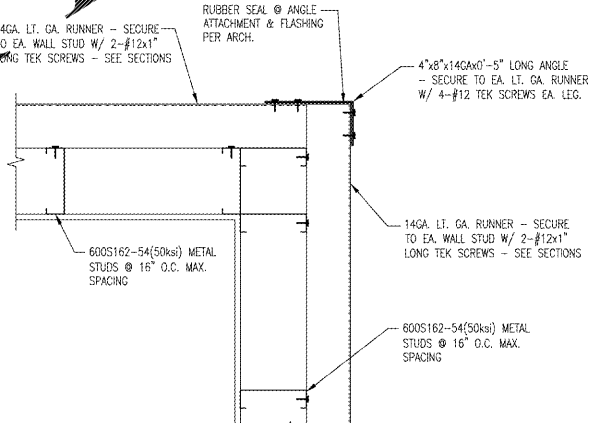
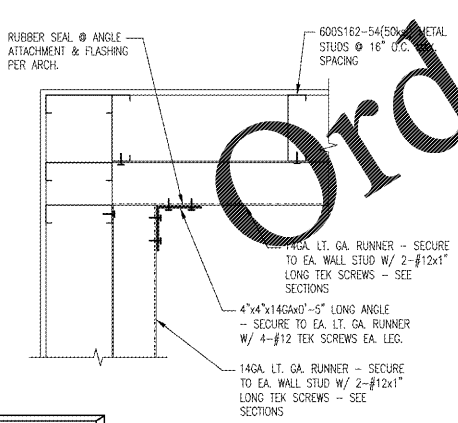


DATE: 06-24-2019
 DRAWN BY: JKP
 CHECK BY: JUM
 JOB NO.: 19-031
 SHEET:

S3 of S9



PARAPET BRACING PLAN
 SCALE: 1/8" = 1'-0"



NOTE: SEE PLAN FOR ORIENTATION.

SECTION NO.	SCALE	SECTION NO.	SCALE
1 S3	1/8" = 1'-0"	2 S3	1/8" = 1'-0"