

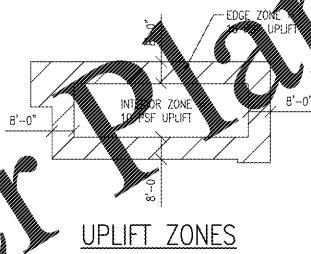
**C12 BRACE LOCATIONS (SEE PLAN):**  
 \* - L3x3x1/4 BOTTOM BEAM FLANGE BRACE LOCATION - SEE SECTION 1/54 & 2/54  
 \*\* - L3x3x1/4 BOTTOM BEAM FLANGE BRACE LOCATION - SEE SECTION 3/54 & 5/55

1 - 6005162-54(33ksi) BRACE STUD @ WALL PERPENDICULAR TO ROOF JOISTS - SEE PLAN FOR LOCATIONS - SECTIONS 2/54 FOR CONNECTIONS.  
 B2 - 6005162-54(50ksi) BRACE STUD @ WALL PARALLEL TO ROOF JOISTS - SEE PLAN FOR LOCATIONS - SECTIONS 3/54 & 5/55 FOR CONNECTIONS.

A1 - L6x4x3/8 LVL FOR RTU UNIT SUPPORT - GC TO COORDINATE PLACEMENT WITH RTU LOCATIONS  
 A2 - L4x4x3/8 FOR RTU UNIT SUPPORT - GC TO COORDINATE PLACEMENT WITH RTU LOCATIONS  
 A3 - L4x4x3/8 FOR ROOF ACCESS FRAME SUPPORT - GC TO COORDINATE PLACEMENT WITH DIMENSIONS OF MATCH SELECTED

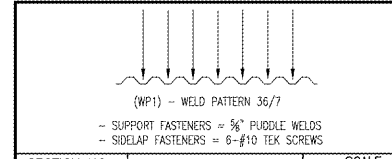
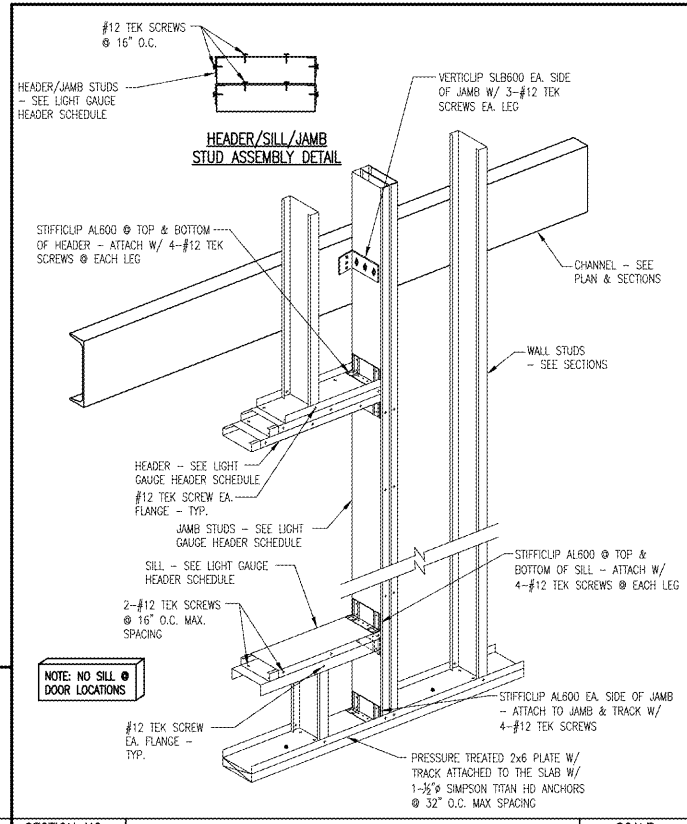
NOTE: FULL PARAPET CONDITION REQUIRES DRAINAGE/OVERFLOW SCUPPERS - SEE ARCH./MECH. DWGS.

- GENERAL NOTES - ROOF FRAMING PLAN:**
- T.O.S. VARIES - SEE PLAN AND DETAILS.
  - PROVIDE MEMBER SIZE AND SPACING AS NOTED ON PLANS.
  - PROVIDE 1.5" TYPE B 22GA ROOF DECK WHERE INDICATED.
  - PROVIDE BAR JOIST SIZE AND SPACING AS NOTED ON PLANS. BRIDGING PER S.R.
  - STEEL FABRICATOR SHALL PROVIDE MISC. FILLER STEEL FOR THE SUPPORT OF THE METAL DECK EDGES AROUND STRUCTURAL MEMBERS AND SKEWED DECK EDGES.
  - NET UPLIFT = 10 PSF INTERIOR ZONE, 16 PSF EDGE ZONE - SEE UPLIFT ZONE DETAIL.
  - CONTRACTOR SHALL SUBMIT SHOP DRAWINGS FOR REVIEW BY ARCHITECT/ENGINEER.
  - ALL BAR JOIST SEATS TO BE 25" DEEP U.N.O. - SEE SECTIONS.
  - NO MECH. EQUIPMENT INFORMATION AVAILABLE. GC TO PROVIDE MEPC W/ WEIGHTS PRIOR TO ORDERING ANY JOIST.

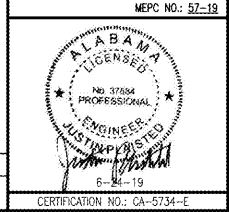


LIGHT GAUGE HEADER/JAMB/SILL SCHEDULE				
MARK	DESCRIPTION	JAMB CONDITION	SILL CONDITION	COMMENTS
LGH1	2-6005162-43(33ksi) METAL STUDS 2-6001150-43(33ksi) METAL TRACKS	3-6005162-43(33ksi) METAL STUDS 3-6001150-43(33ksi) METAL TRACKS	2-6005162-43(33ksi) METAL STUDS 2-6001150-43(33ksi) METAL TRACKS	SEE DETAIL 1/S2
LGH2	2-6005162-43(33ksi) METAL STUDS 2-6001150-43(33ksi) METAL TRACKS	3-6005162-43(33ksi) METAL STUDS 3-6001150-43(33ksi) METAL TRACKS	N/A	SEE DETAIL 1/S2
LGH3	1-6005162-43(33ksi) METAL STUDS 1-6001150-43(33ksi) METAL TRACKS	2-6005162-43(33ksi) METAL STUDS 2-6001150-43(33ksi) METAL TRACKS	1-6005162-43(33ksi) METAL STUDS 1-6001150-43(33ksi) METAL TRACKS	SEE DETAIL 1/S2
LGH4	2-6005162-43(33ksi) METAL STUDS 2-6001150-43(33ksi) METAL TRACKS	2-6005162-43(33ksi) METAL STUDS 2-6001150-43(33ksi) METAL TRACKS	N/A	SEE DETAIL 1/S2
LGH5	1-6005162-43(33ksi) METAL STUDS 1-6001150-43(33ksi) METAL TRACKS	SEE PLAN FOR HEADER CONNECTION @ COLUMNS	1-6005162-43(33ksi) METAL STUDS 1-6001150-43(33ksi) METAL TRACKS	SEE PLAN FOR HEADER CONNECTION @ COLUMNS

DOOR/WINDOW LINTEL SCHEDULE		
MARK	SIZE	SUPPORT CONDITION
L1	6"x6"x3/8" ANGLE (LLV)	8" BRICK
L2	6"x6"x3/8" ANGLE (LLV)	3/8" BRICK MIN.



SECTION NO.	SCALE	SECTION NO.	SCALE
TYPICAL	NO SCALE	1	NO SCALE
WP1 - ROOF DECK FASTENER LAYOUT	NO SCALE	S2	NO SCALE
		LIGHT GAUGE HEADER, JAMB STUD & SILL DETAIL	



HC	DATE	DESCRIPTION	REVISIONS

**ROOF FRAMING PLAN**

DATE: 06-24-2015  
 DRAWN BY: JKP  
 CHECK BY: JUM  
 JOB NO.: 15-031  
 SHEET: