

DOOR SCHEDULE											
DOOR NO.	DOOR SIZE		FRAME	DOOR	DETAILS			HARDWARE	REMARKS		
	WIDTH	HEIGHT			MATERIAL	ELEV.	MATL.			ELEV.	HEAD
101	6'-0"	6'-8"	1 3/4" ALUM	F3	ALUM	B	6/A4.2	J4	S2	HU-6	
101A	3'-0"	1'-0"	1 3/4" ALUM	F4	ALUM	B	6/A4.2	J3	S2	HU-6	
102	3'-0"	1'-0"	1 3/4" HM	F1	WD	C	H1	J1	S1	HU-4	
103	3'-0"	1'-0"	1 3/4" HM	F1	WD	C	H1	J1	S1	HU-4	
104	2'-0"	1'-0"	1 3/4" HM	F1	HM	A	H2	J2	S2	HU-5	
105	3'-0"	1'-0"	1 3/4" HM	F2	HM	A	H2	J2	S2	HU-5	
106	3'-0"	1'-0"	1 3/4" INSUL		INSUL						2
107	3'-0"	1'-0"	1 3/4" INSUL		INSUL						2
108	3'-0"	1'-0"	1 3/4" HM	F1	HM	C	H1	J1	S1	HU-3	
109	3'-0"	1'-0"	1 3/4" HM	F1	HM	C	H1	J1	S1	HU-2	

REMARKS
 1. PAIR OF DOORS
 2. DOOR TO BE FURNISHED BY COOLER SUPPLIER

NOTES
 1. ALL DOORS TO HAVE SILENCERS
 2. DOORS TO BE KEYS BY OWNER
 3. DOOR FRAMES TO HAVE (5) ATTACHMENT CLIPS ON EACH SIDE AND (2) CLIPS AT TOP FOR CONNECTION TO WALLS
 4. ALL ALUMINUM DOORS, FRAMES, AND STOREFRONT TO BE CLEAR ANODIZED TO MATCH UNISEK STOREFRONTS
 5. ALL LOCKS AND LATCHES TO MEET REQUIREMENTS OF BUILDING CODE CHAPTER 10-10.1.1 FOR EGRESS DOORS
 6. ALL DOORS TO RECEIVE WALL STOP IVES 406/401CV US33D FLOOR STOP IVES 8436 US26D.
 7. WOOD DOORS TO HAVE FLAM FINISH.

HARDWARE SCHEDULE
 HU #1 BACK EXTERIOR FROM DRY STORAGE ROOM
 42" X 84" X 1 1/2" HM. DOOR X HM. FRAME
 2 EA * D81000MG DOOR SCOPE GREEN FINISH BY DOOR SCOPE BY DOOR SCOPE

1 CONTINUOUS HINGE ABH A210HD083 CLEAR
 1 EXIST DEVICE VON DUPRN 89-L US28 LHR 403 LEVEL 42" X 84" DOOR US28
 1 SURFACE CLOSER FALCON SC 81 STD FC RW/ PA689 689
 2 KICK PLATE IVES 8400 CUSTOM US26D 36" X 40" US26D
 1 THRESHOLD NGP 895V-42 A
 1 SEATHER BRIFTS NGP 151/4" X 84" USA
 1 GASKETING NGP 199A-42 USGRY
 1 DOOR SILENCER IVES 8R64 GRV USGRY

HU #3 DRY STORAGE TO UNISEK ROOM
 36" X 84" X 1 1/2" HM. DOOR X HM. FRAME
 2 EA * D81000MG DOOR SCOPE
 OPTIONAL DND93FD X ATH LEVER HANDLE SET FOR DOORS THAT BUNG INTO THE KITCHEN

1 CONTINUOUS HINGE ABH A210HD083 CLEAR
 1 EXIST DEVICE VON DUPRN 89-L US28 LHR 403 LEVEL 42" X 84" DOOR US28D/US28
 1 SURFACE CLOSER FALCON SC 81 STD FC RW/ PA689 689
 2 KICK PLATE IVES 8400 CUSTOM US26D 36" X 40" US26D
 1 FLOOR DR STOP IVES F8436 US26D US26D
 3 DOOR SILENCER IVES 8R64 GRV USGRY

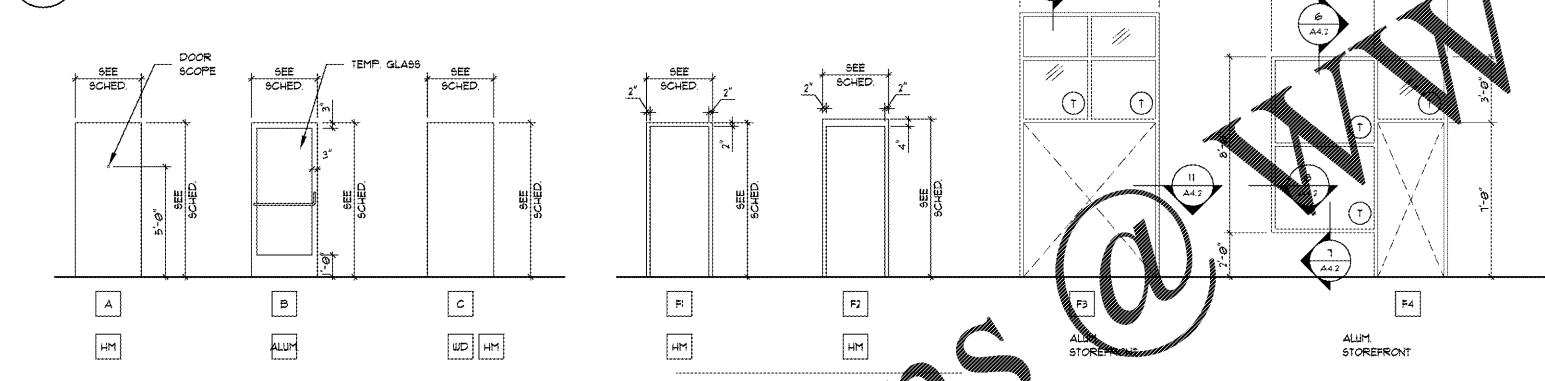
HU #4 DINING AREA FROM WOMEN'S RESTROOM
 DINING AREA FROM MEN'S RESTROOM
 36" X 84" X 1 1/2" HM. DOOR X HM. FRAME
 2 BURN 54 X 115 X US32D
 2 CONTINUOUS HINGE ABH A210HD083 CLEAR
 1 PUSH PLATE IVES 8200 4" X 16" US33D US33D
 2 SURFACE CLOSER FALCON SC 81 STD FC RW/ PA689 689
 2 KICK PLATE IVES 8400 CUSTOM US26D 12" X 34" US26D
 6 DOOR SILENCER IVES 8R64 GRV USGRY

HU #5 DINING AREA FROM JANITOR'S CLOSET
 36" X 84" X 1 1/2" HM. DOOR X HM. FRAME
 1 CONTINUOUS HINGE ABH A210HD083 CLEAR
 1 LOCK SET ILCO-UNICAN 502/SUL-26D-41 US26
 1 SURFACE CLOSER FALCON SC 81 STD FC RW/ PA689 689
 2 KICK PLATE IVES 8400 CUSTOM US26D 12" X 28" US26D
 1 WALL DR STOP IVES 406/401CV US33D US33D
 5 DOOR SILENCER IVES 8R64 GRV USGRY

HU #6 STOREFRONT ENTRANCE DOORS
 1 ALUMINUM THRESHOLD NGP 895V
 1 FULL HANDLE FIRST CHOICE 3600 CVR
 2 CONCEALED VERTICAL ROD EXIT DEVICE ABH A210HD83 X ALUM TO MATCH STOREFRONT
 2 CONTINUOUS HINGE
 1 HEAVY DUTY DOOR CLOSER
 1 LATCH-PLATE (TAMPER RESISTANT)

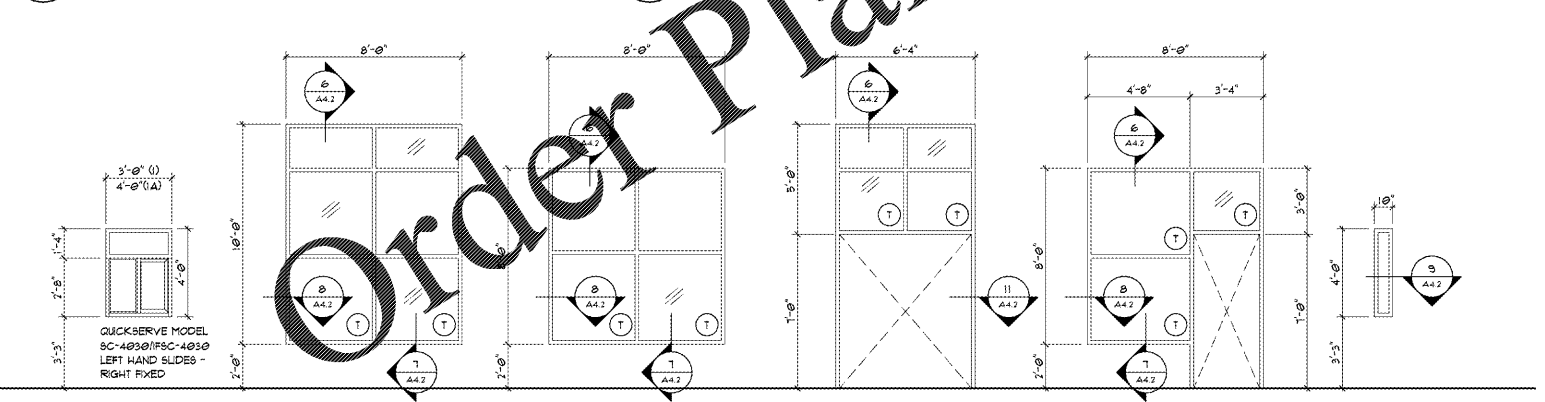
HU #7 STOREFRONT ENTRANCE DOORS
 1 ALUMINUM THRESHOLD NGP 895V
 1 FULL HANDLE FIRST CHOICE 3600 CVR
 1 CONCEALED VERTICAL ROD EXIT DEVICE ABH A210HD83 X ALUM TO MATCH STOREFRONT
 1 CONTINUOUS HINGE
 1 HEAVY DUTY DOOR CLOSER
 1 LATCH-PLATE (TAMPER RESISTANT)

1 HEAD, JAMB & SILL DETAILS
 SCALE: 1-1/2"=1'-0"



2 DOOR ELEVATIONS
 SCALE: 1/4"=1'-0"

3 FRAME ELEVATIONS
 SCALE: 1/4"=1'-0"



NOTE
 ALL STOREFRONT WINDOWS TO HAVE 1" INSULATED CLEAR GLAZING WITH LOW E COATING

STOREFRONT SYSTEM BASIS OF DESIGN
 VIG-HBI FRAMING SYSTEM
 SCREW SPLINE ASSEMBLY (1" INPILL) CENTER SET

4 STOREFRONT ELEVATIONS
 SCALE: 1/4"=1'-0"

NO.	DATE	DESCRIPTION	REVISIONS

