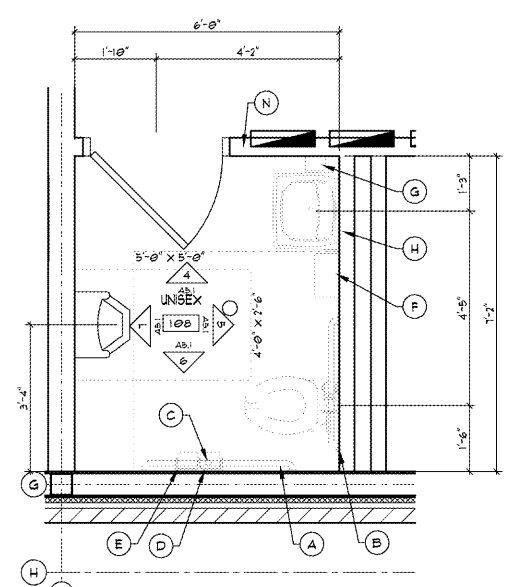
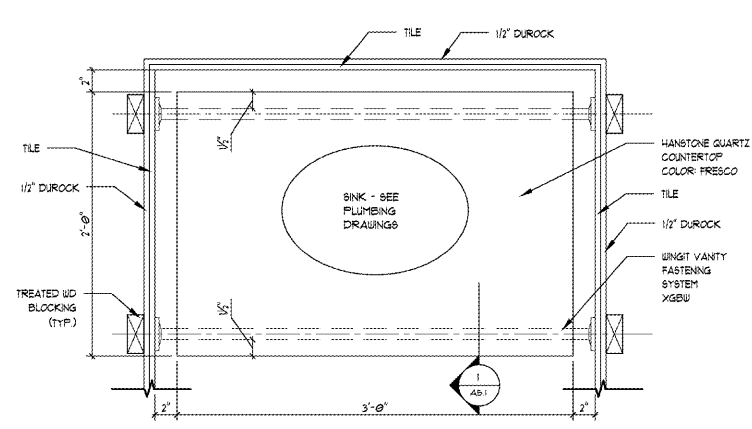


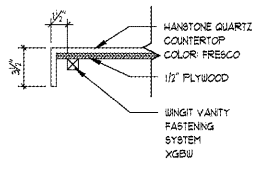
8 RESTROOM ENLARGED PLAN
 SCALE: 1/2"=1'-0"



3 UNISEX RESTROOM ENLARGED PLAN
 SCALE: 1/2"=1'-0"



2 LAVATORY SECTION
 SCALE: 1-1/2"=1'-0"



1 LAVATORY SECTION
 SCALE: 1-1/2"=1'-0"

ACCESSORY SCHEDULE	
A	42" HORIZONTAL GRAB BAR 3100
B	36" HORIZONTAL GRAB BAR 3100
C	18" VERTICAL GRAB BAR 3100
D	TOILET PAPER DISPENSER
E	WIPER DISPOSAL 0851
F	PAPER TOWEL DISPENSER
G	SOAP DISPENSER 0332
H	MIRROR 0600 (8X36)
J	HAND DRYER - AIRBLADE V AB12
K	NOT USED
L	MEN'S HANDICAP SIGN BRP488 BLACK
M	WOMEN'S HANDICAP SIGN BRP488 BLACK
N	UNISEX HANDICAP SIGN BRP488 BLACK
AB1	QUER-SELECTED
AS1	QUER-SELECTED
AS2	QUER-SELECTED
AS3	QUER-SELECTED
AS4	QUER-SELECTED
AS5	QUER-SELECTED
AS6	QUER-SELECTED
AS7	QUER-SELECTED
AS8	QUER-SELECTED
AS9	QUER-SELECTED
AS10	QUER-SELECTED
AS11	QUER-SELECTED
AS12	QUER-SELECTED
AS13	QUER-SELECTED
AS14	QUER-SELECTED
AS15	QUER-SELECTED
AS16	QUER-SELECTED
AS17	QUER-SELECTED
AS18	QUER-SELECTED
AS19	QUER-SELECTED
AS20	QUER-SELECTED
AS21	QUER-SELECTED
AS22	QUER-SELECTED
AS23	QUER-SELECTED
AS24	QUER-SELECTED
AS25	QUER-SELECTED
AS26	QUER-SELECTED
AS27	QUER-SELECTED
AS28	QUER-SELECTED
AS29	QUER-SELECTED
AS30	QUER-SELECTED
AS31	QUER-SELECTED
AS32	QUER-SELECTED
AS33	QUER-SELECTED
AS34	QUER-SELECTED
AS35	QUER-SELECTED
AS36	QUER-SELECTED
AS37	QUER-SELECTED
AS38	QUER-SELECTED
AS39	QUER-SELECTED
AS40	QUER-SELECTED
AS41	QUER-SELECTED
AS42	QUER-SELECTED
AS43	QUER-SELECTED
AS44	QUER-SELECTED
AS45	QUER-SELECTED
AS46	QUER-SELECTED
AS47	QUER-SELECTED
AS48	QUER-SELECTED
AS49	QUER-SELECTED
AS50	QUER-SELECTED
AS51	QUER-SELECTED
AS52	QUER-SELECTED
AS53	QUER-SELECTED
AS54	QUER-SELECTED
AS55	QUER-SELECTED
AS56	QUER-SELECTED
AS57	QUER-SELECTED
AS58	QUER-SELECTED
AS59	QUER-SELECTED
AS60	QUER-SELECTED
AS61	QUER-SELECTED
AS62	QUER-SELECTED
AS63	QUER-SELECTED
AS64	QUER-SELECTED
AS65	QUER-SELECTED
AS66	QUER-SELECTED
AS67	QUER-SELECTED
AS68	QUER-SELECTED
AS69	QUER-SELECTED
AS70	QUER-SELECTED
AS71	QUER-SELECTED
AS72	QUER-SELECTED
AS73	QUER-SELECTED
AS74	QUER-SELECTED
AS75	QUER-SELECTED
AS76	QUER-SELECTED
AS77	QUER-SELECTED
AS78	QUER-SELECTED
AS79	QUER-SELECTED
AS80	QUER-SELECTED
AS81	QUER-SELECTED
AS82	QUER-SELECTED
AS83	QUER-SELECTED
AS84	QUER-SELECTED
AS85	QUER-SELECTED
AS86	QUER-SELECTED
AS87	QUER-SELECTED
AS88	QUER-SELECTED
AS89	QUER-SELECTED
AS90	QUER-SELECTED
AS91	QUER-SELECTED
AS92	QUER-SELECTED
AS93	QUER-SELECTED
AS94	QUER-SELECTED
AS95	QUER-SELECTED
AS96	QUER-SELECTED
AS97	QUER-SELECTED
AS98	QUER-SELECTED
AS99	QUER-SELECTED
AS100	QUER-SELECTED

- PROVIDE BLOCKING AS REQUIRED
 - SEE SHEET A01 FOR MOUNTING HEIGHTS.
 (IF REQUIRED)
 SOLID PLASTIC RESTROOM PARTITIONS R BY GENERAL PARTITIONS -
 FLOOR MOUNTED, OVER-HEAD BRACED, COLOR: BLACK EX.

7 UNISEX RESTROOM ELEVATION
 SCALE: 1/4"=1'-0"

6 UNISEX RESTROOM ELEVATION
 SCALE: 1/4"=1'-0"

5 UNISEX RESTROOM ELEVATION
 SCALE: 1/4"=1'-0"

4 UNISEX RESTROOM ELEVATION
 SCALE: 1/4"=1'-0"

12 MEN'S RESTROOM ELEVATION
 SCALE: 1/4"=1'-0"

11 MEN'S RESTROOM ELEVATION
 SCALE: 1/4"=1'-0"

10 MEN'S RESTROOM ELEVATION
 SCALE: 1/4"=1'-0"

9 MEN'S RESTROOM ELEVATION
 SCALE: 1/4"=1'-0"

16 WOMEN'S RESTROOM ELEVATION
 SCALE: 1/4"=1'-0"

15 WOMEN'S RESTROOM ELEVATION
 SCALE: 1/4"=1'-0"

14 WOMEN'S RESTROOM ELEVATION
 SCALE: 1/4"=1'-0"

13 WOMEN'S RESTROOM ELEVATION
 SCALE: 1/4"=1'-0"

Order Plans @

