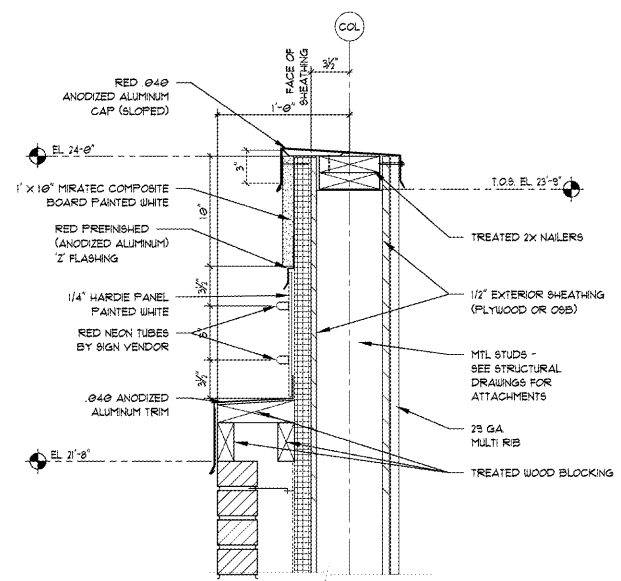


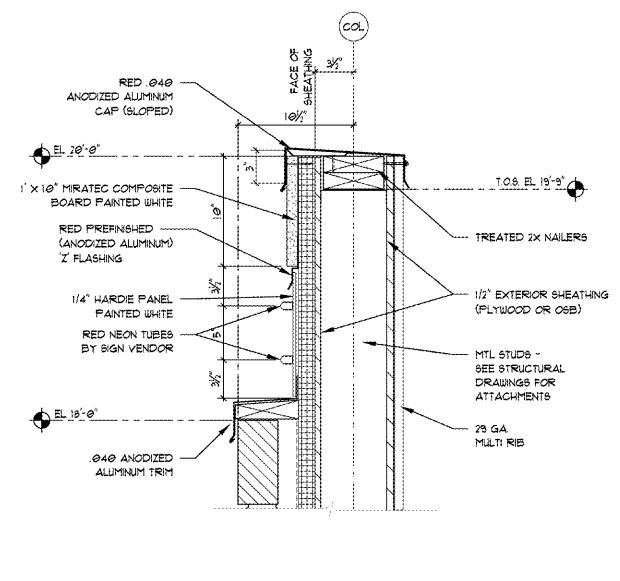
| NO. | DATE | DESCRIPTION |
|-----|------|-------------|
| | | |
| | | |
| | | |

DETAILS

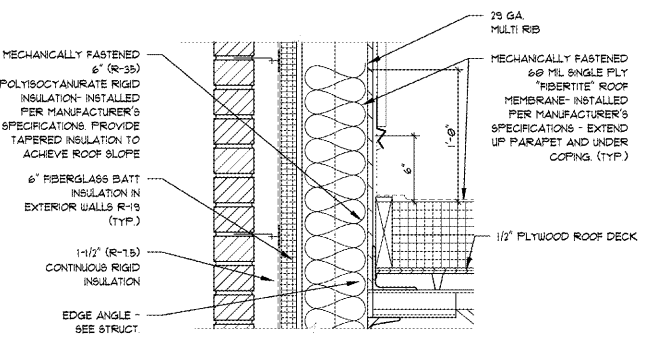
DATE: 01/01/2019
 DRAWN BY: ERH
 CHECK BY: RML
 JOB NO: 19-031
 SHEET:



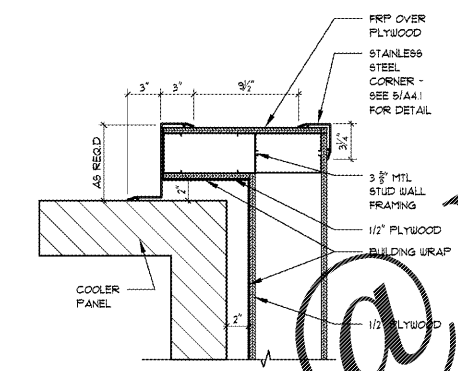
1 HIGH PARAPENT COPING DETAIL
 A4.3 SCALE: 1-1/2"=1'-0"



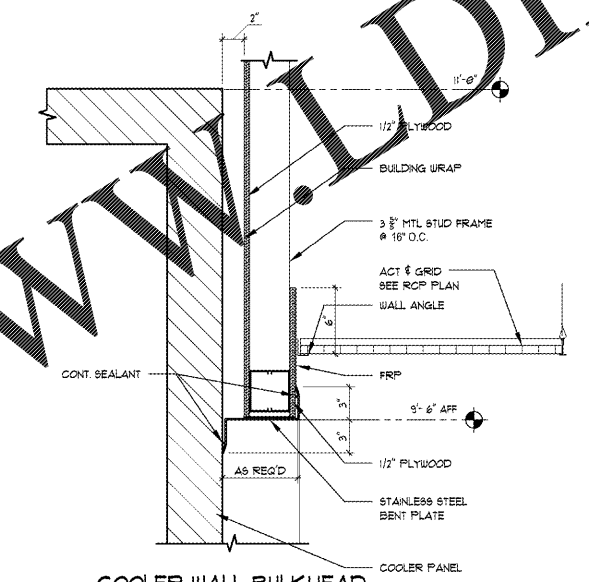
2 LOW PARAPENT COPING DETAIL
 A4.3 SCALE: 1-1/2"=1'-0"



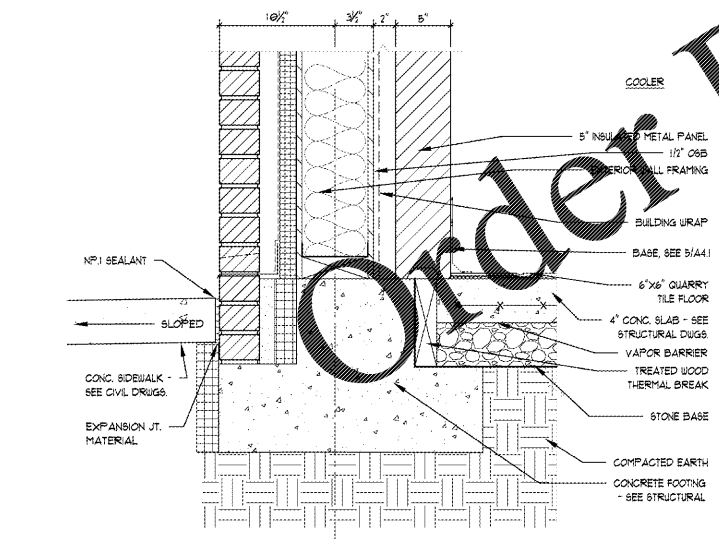
3 WALL DETAIL
 A4.3 SCALE: 1-1/2"=1'-0"



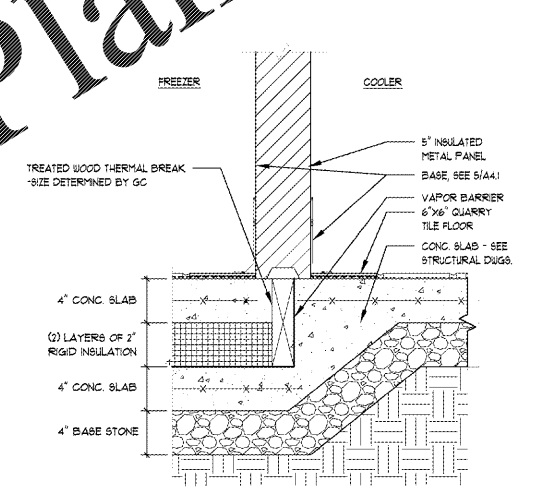
4 COOLER WALL PLAN DETAIL
 A4.3 SCALE: 1-1/2"=1'-0"



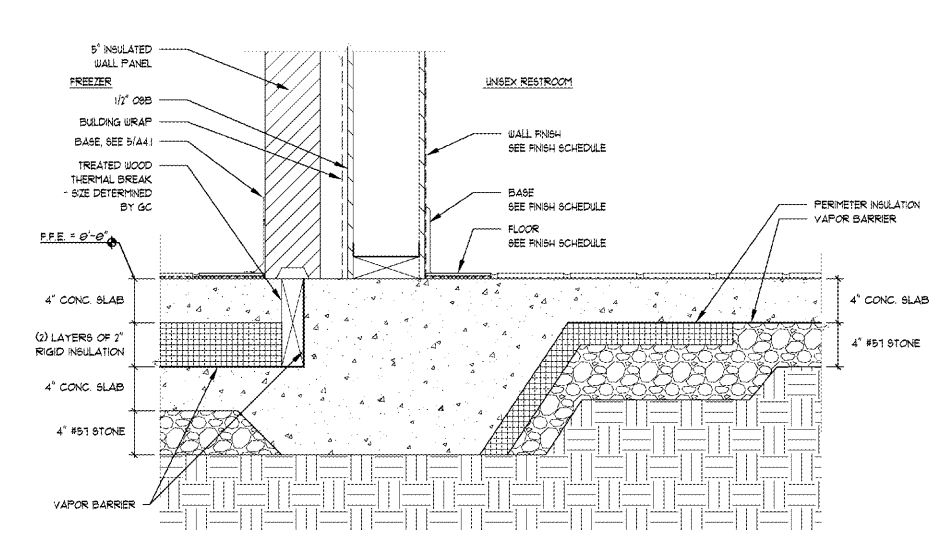
5 COOLER WALL BULKHEAD SECTION
 A4.3 SCALE: 1-1/2"=1'-0"



6 COOLER WALL SECTION
 A4.3 SCALE: 1-1/2"=1'-0"



7 COOLER WALL SECTION
 A4.3 SCALE: 1-1/2"=1'-0"



8 FREEZER WALL SECTION
 A4.3 SCALE: 1-1/2"=1'-0"

WWW.DILine.com

Order Plans @