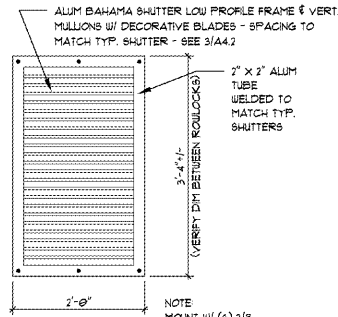
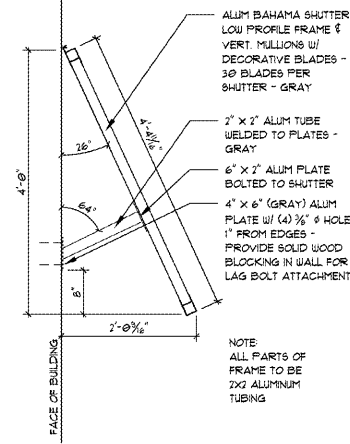


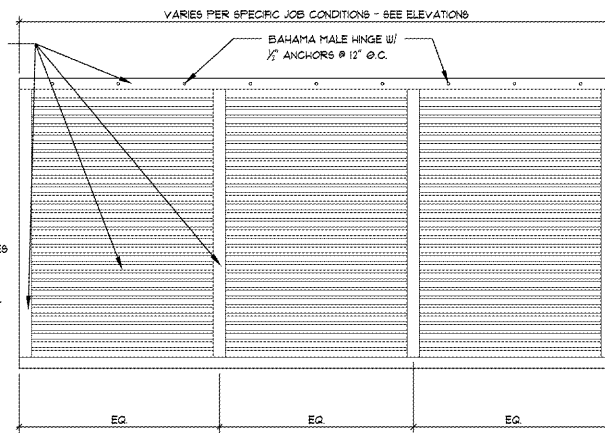
1
A4.2
BLACK GLASS SECTION
SCALE: 3/4"=1'-0"



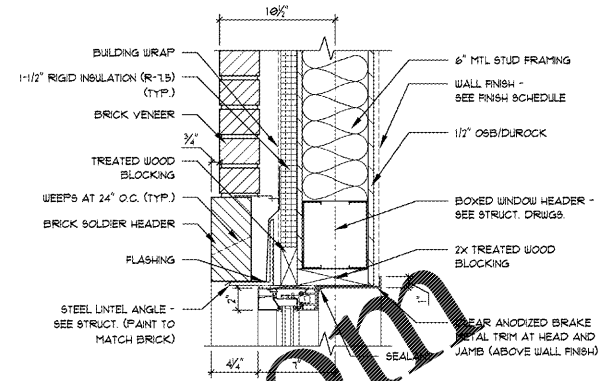
2
A4.2
SHUTTER ELEVATION
SCALE: 3/4"=1'-0"



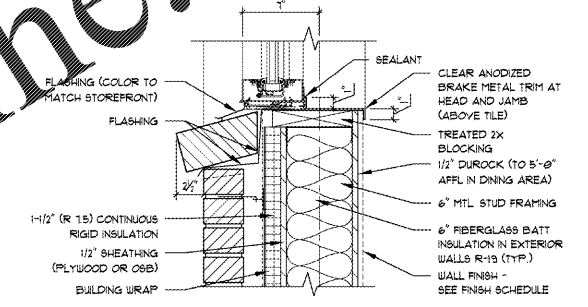
3
A4.2
SHUTTER DETAIL
SCALE: 3/4"=1'-0"



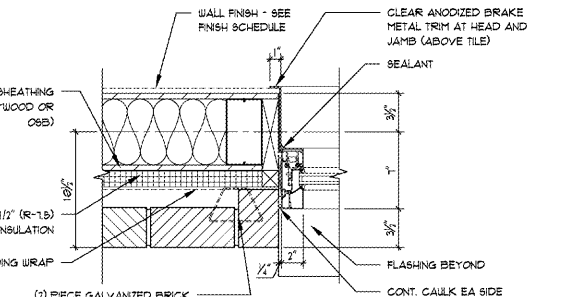
ELEVATION



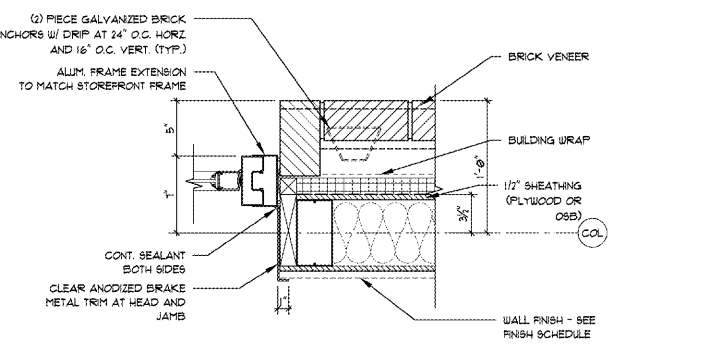
6
A4.2
STOREFRONT HEAD DETAIL
SCALE: 1-1/2"=1'-0"



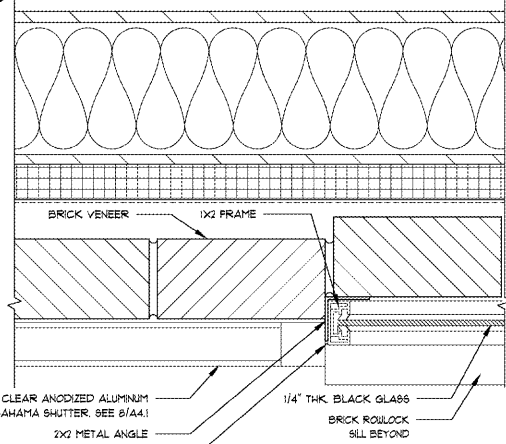
7
A4.2
STOREFRONT SILL DETAIL
SCALE: 1-1/2"=1'-0"



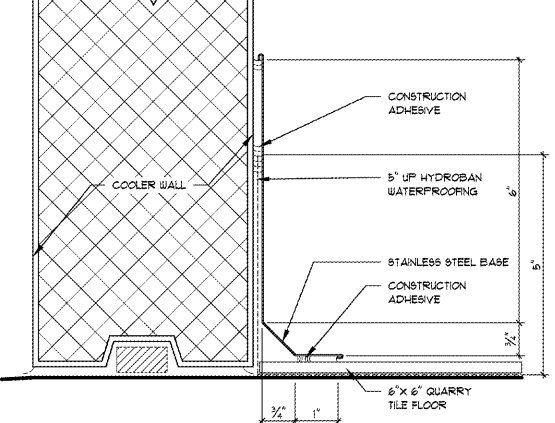
8
A4.2
STOREFRONT JAMB DETAIL
SCALE: 1-1/2"=1'-0"



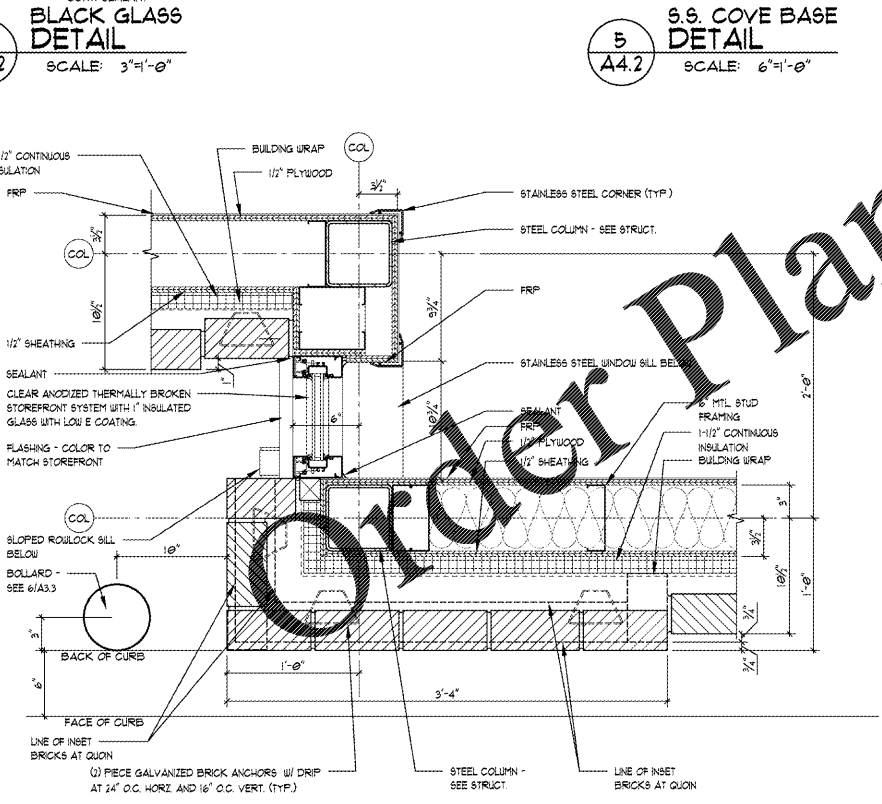
11
A4.2
STOREFRONT JAMB DETAIL
SCALE: 1-1/2"=1'-0"



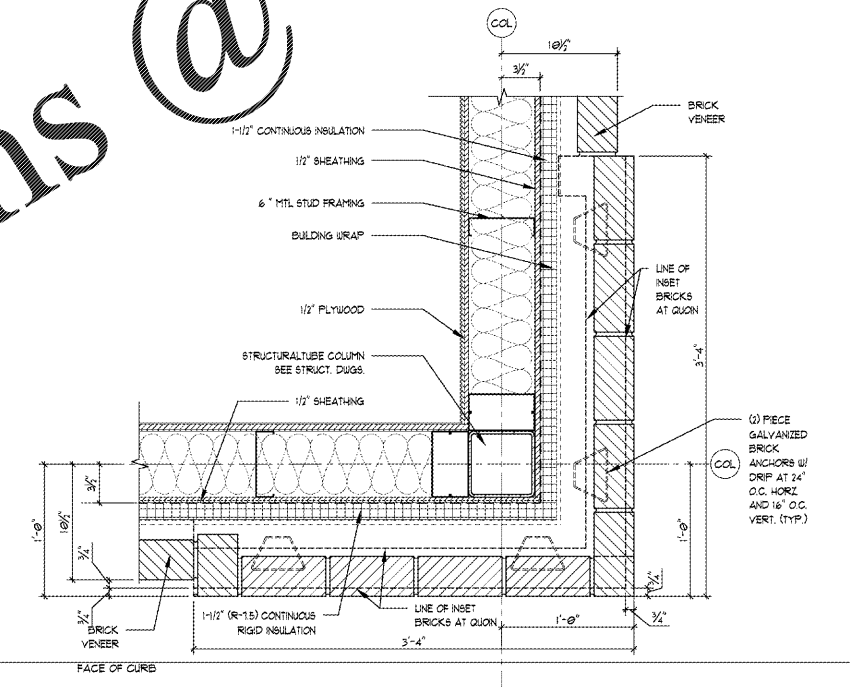
4
A4.2
BLACK GLASS DETAIL
SCALE: 3/4"=1'-0"



5
A4.2
S.S. COVE BASE DETAIL
SCALE: 6"=1'-0"



9
A4.2
PLAN DETAIL
SCALE: 1-1/2"=1'-0"



10
A4.2
PLAN DETAIL
SCALE: 1-1/2"=1'-0"

WWW.LDILine.com

NO.	DATE	DESCRIPTION

DETAILS