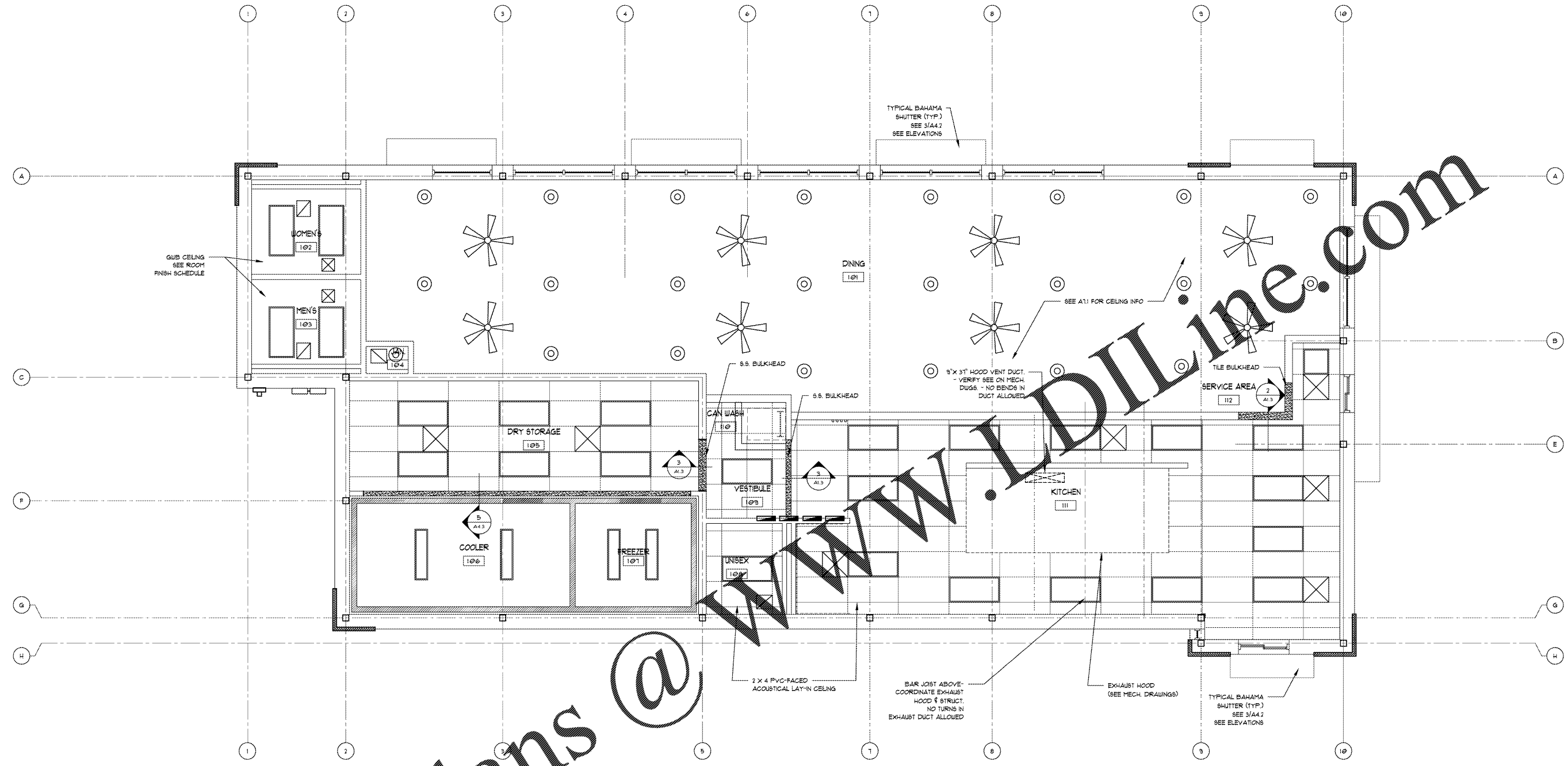


NO.	DATE	DESCRIPTION

REFLECTED CEILING PLAN

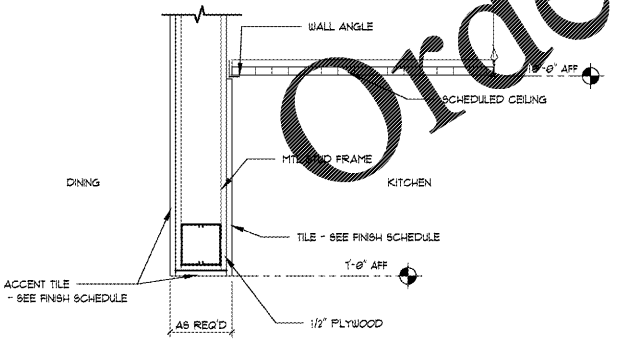
DATE: 01/01/2019
 DRAWN BY: ERH
 CHECK BY: RML
 JOB NO: 19-031
 SHEET:

A1.3

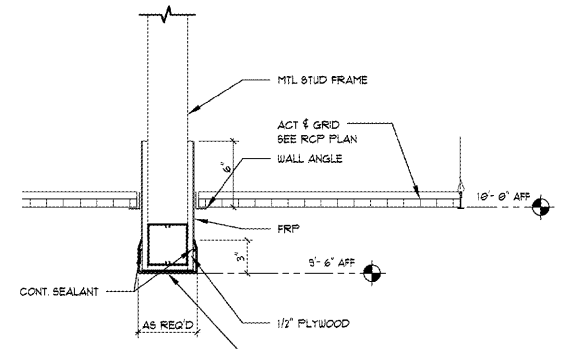


- NOTES**
1. 2' x 4' PVC FACED ACOUSTICAL LAY-IN GRID, TYPICAL
 2. CEILING HEIGHTS VARY, SEE FINISH SCHEDULE
 3. LIGHTS SHOWN FOR REFERENCE ONLY. SEE ELECTRICAL DRAWINGS FOR LIGHTING PLAN
 4. SEE MECHANICAL DRAWINGS FOR LOCATIONS OF DIFFUSERS
 5. LIGHTING PACKING TO BE PURCHASED FROM LSI. CONTACT TOM FULTON 104.640.8134

1 REFLECTED CEILING PLAN
 AI.3
 SCALE: 1/4"=1'-0"



2 BULKHEAD DETAIL
 AI.3
 SCALE: 1-1/2"=1'-0"



3 BULKHEAD DETAIL
 AI.3
 SCALE: 1-1/2"=1'-0"

Order Plans @ www.diline.com



PLAN NORTH