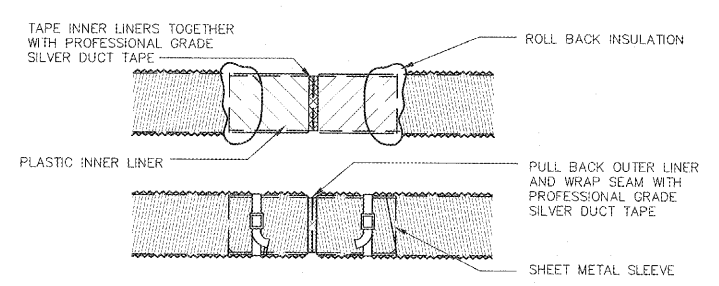
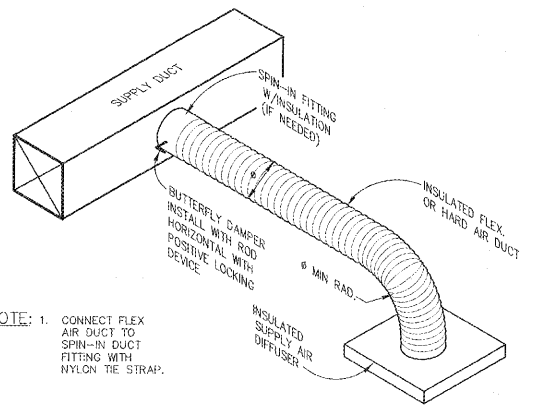


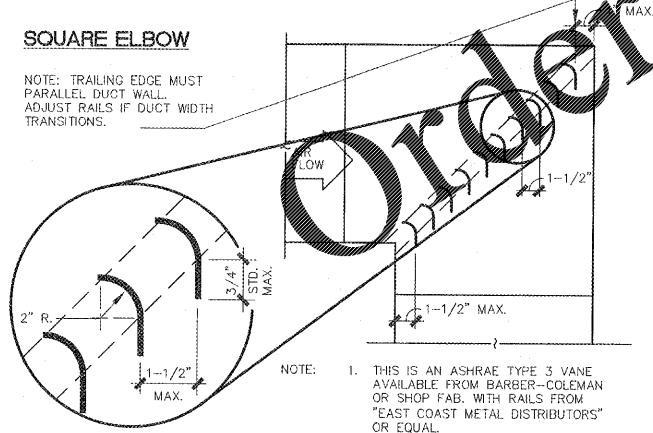
1 GRILLE CONNECTION
M501 SCALE: NONE



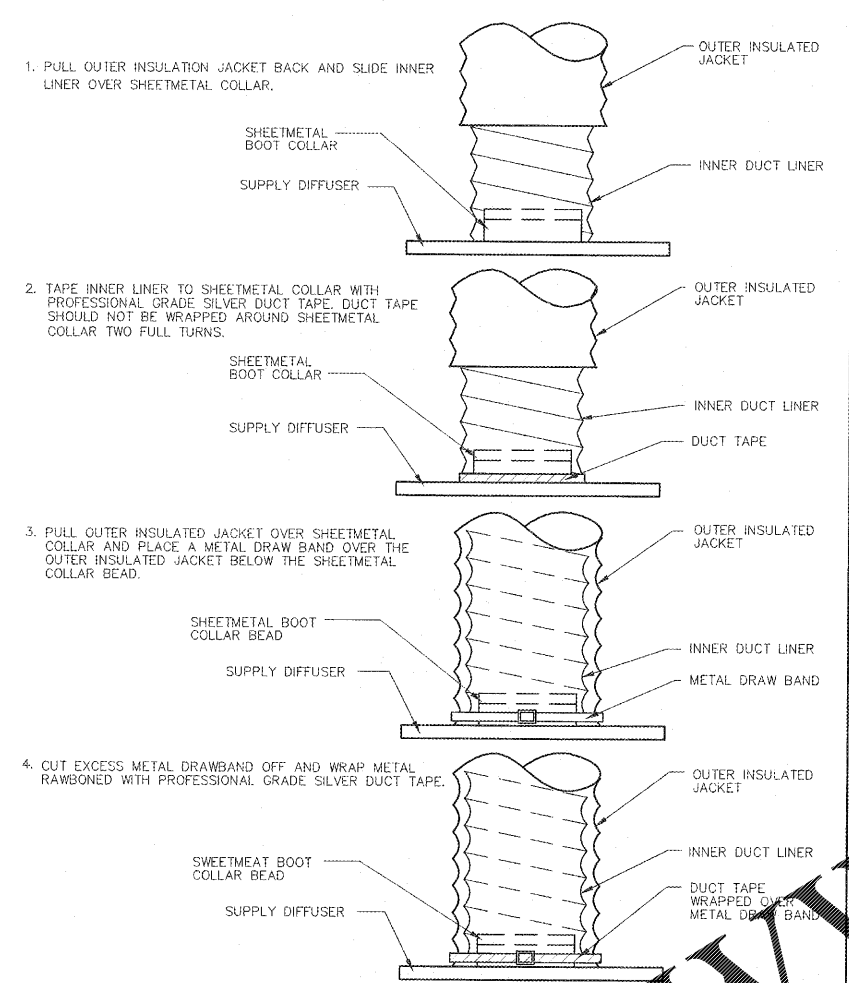
2 FLEXIBLE DUCT SPLICING DETAIL
M501 SCALE: NONE



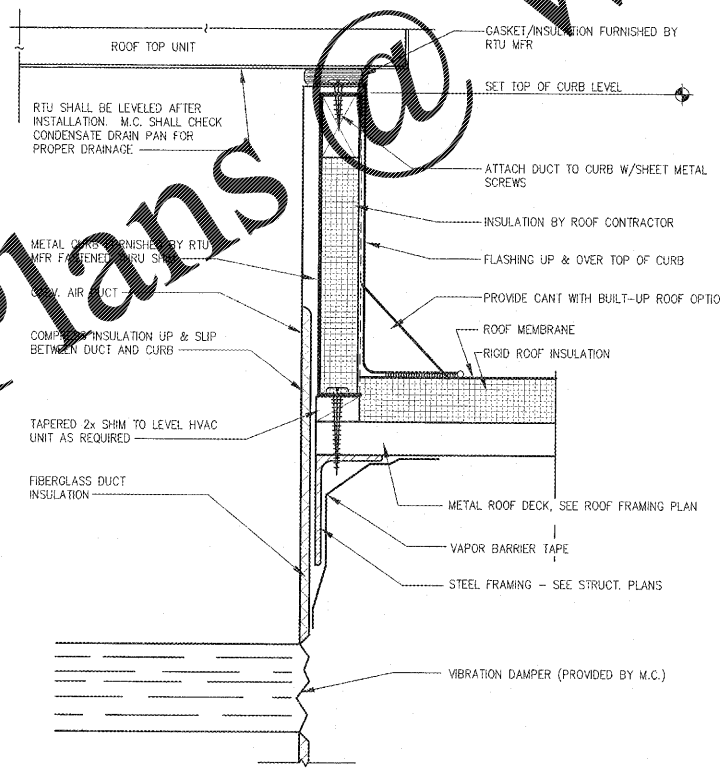
3 TYPICAL DUCT CONNECTION
M501 SCALE: NONE



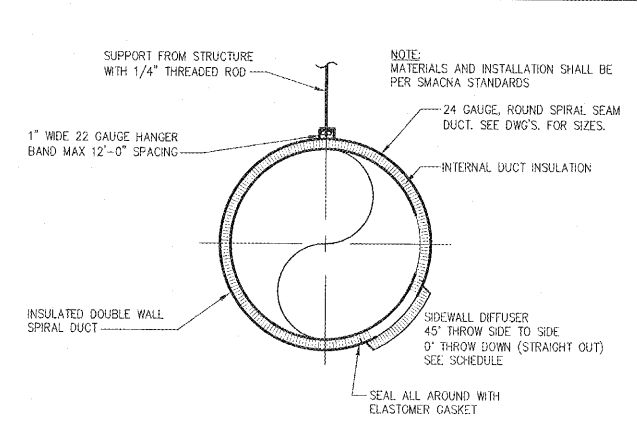
4 TYPICAL DUCT ELBOW
M501 SCALE: NONE



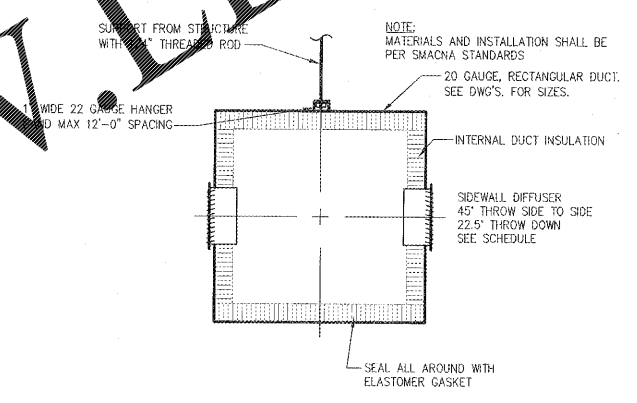
5 FLEX DUCT CONNECTION TO DIFFUSERS AND SHEETMETAL DUCTWORK COLLARS
M501 SCALE: NONE



6 ROOF CURB DETAIL
M501 SCALE: NONE



7 EXPOSED SPIRAL SUPPLY DUCT DETAIL
M501 SCALE: NONE



8 EXPOSED RECTANGULAR SUPPLY DUCT DETAIL
M501 SCALE: NONE

RECTANGULAR DUCT SPECIFICATIONS:
EXPOSED RECTANGULAR DUCTWORK IN STOCK ROOM SHALL BE 20 GAUGE, SINGLE WALL GALVANIZED STEEL. FITTINGS SHALL BE GALVANIZED STEEL, STANDING SEAM OR SOLID WELDED CONSTRUCTION. DIFFUSERS SHALL BE ATTACHED TO THE DUCTWORK WITH POP RIVETS WITH A FINISHING FILET OF ELASTOMER SEAL AT THE JUNCTION OF THE COLLAR TO THE DUCT. ALL DUCTWORK AND FITTINGS SHALL BE MANUFACTURED IN ACCORDANCE WITH SMACNA'S HVAC DUCT CONSTRUCTION STANDARDS LATEST EDITION. ALL EXPOSED RECTANGULAR DUCTWORK AND FITTINGS IN THE STOCK ROOM SHALL BE CLEANED OF ALL OILS AND COATINGS PRIOR TO INSTALLATION AND PROVIDED WITH A MILL PHOSPHITIZED FINISH ("PAINT GRIP", "ZINC GRIP", OR SIMILAR ETCH TREATMENT) TO ALLOW THE DUCTWORK TO BE PAINTED.

Order Plans @ www.ljdwilkins.com



Revisions	
REVISION	DATE