

CONSTRUCTION NOTES

GENERAL NOTES

- ① ROUTE WATER HEATER T&P RELIEF VALVE DOWN INSIDE WALL AND TERMINATE INDIRECTLY OVER SERVICE SINK WITH AIR GAP TWICE THE DIAMETER OF DRAIN PIPE (2" MIN.)
- ② ROUTE 1" RTU CONDENSATE DRAIN PIPING TO DOWNSPOUT AND TERMINATE INDIRECTLY WITH AIR GAP TWICE THE DIAMETER OF DRAIN PIPE (2" MIN.). SEE DETAIL 3/P-501.

- 1. SEE SHEET P001 FOR ALL GENERAL NOTES.
- 2. DUCTWORK, CONDUIT AND PIPING SHALL BE INSTALLED BETWEEN TRUSSES OR THROUGH TRUSSES IN CEILING SHIPPING ROOM AS SHOWN WITH ALL ITEMS LOCATED ABOVE THE BOTTOM OF STRUCTURE UNLESS OTHERWISE NOTED ON PLAN.
- 3. FC SHALL TEST ALL EQUIPMENT AND PIPING CONNECTIONS FOR LEAKS AS PART OF FINAL COMPLETION OF CONSTRUCTION PROCESS.
- 4. ALL PLUMBING VENTS SHALL BE INSTALLED 10' (MIN.) FROM ANY BUILDING FRESH AIR INTAKE AS SHOWN OR 2' ABOVE.
- 5. ALL PENETRATIONS THRU ROOF SHALL BE BY GENERAL CONTRACTOR AS PER ROOF MANUFACTURER'S STANDARDS.

IF ANY DISCREPANCIES ARE FOUND ON THE PLANS, THE PLUMBING CONTRACTOR SHALL INSTALL THE MORE CONSERVATIVE SPECIFICATION AND CALL ENGINEER FOR CLARIFICATION.

WHILE EVERY ATTEMPT HAS BEEN MADE IN THE PREPARATION OF THIS PLAN TO AVOID MISTAKES, THE DESIGNER AND COMPANY CANNOT GUARANTEE AGAINST ERROR OR UNFORESEEN FIELD CONDITIONS. THE CONTRACTOR OR BUILDER MUST CHECK ALL DIMENSIONS, DETAILS AND REPORT ANY DISCREPANCIES.

LMEIT Project No. 19120.01

3005 CAMPBELL AVE. BLDG. 3  
WINSTON-SALEM, NC 27104  
PHONE: 703.444.0007 FAX: 703.444.9399



LMEIT ENGINEER LICENSE NUMBER - C-1309

PROJECT: SHERWIN-WILLIAMS  
4809 COUNTRY CLUB ROAD  
SUITE 103  
WINSTON-SALEM, NC 27104  
DRAWING: PLUMBING WASTE/VENT PLAN AND RISER

Revisions

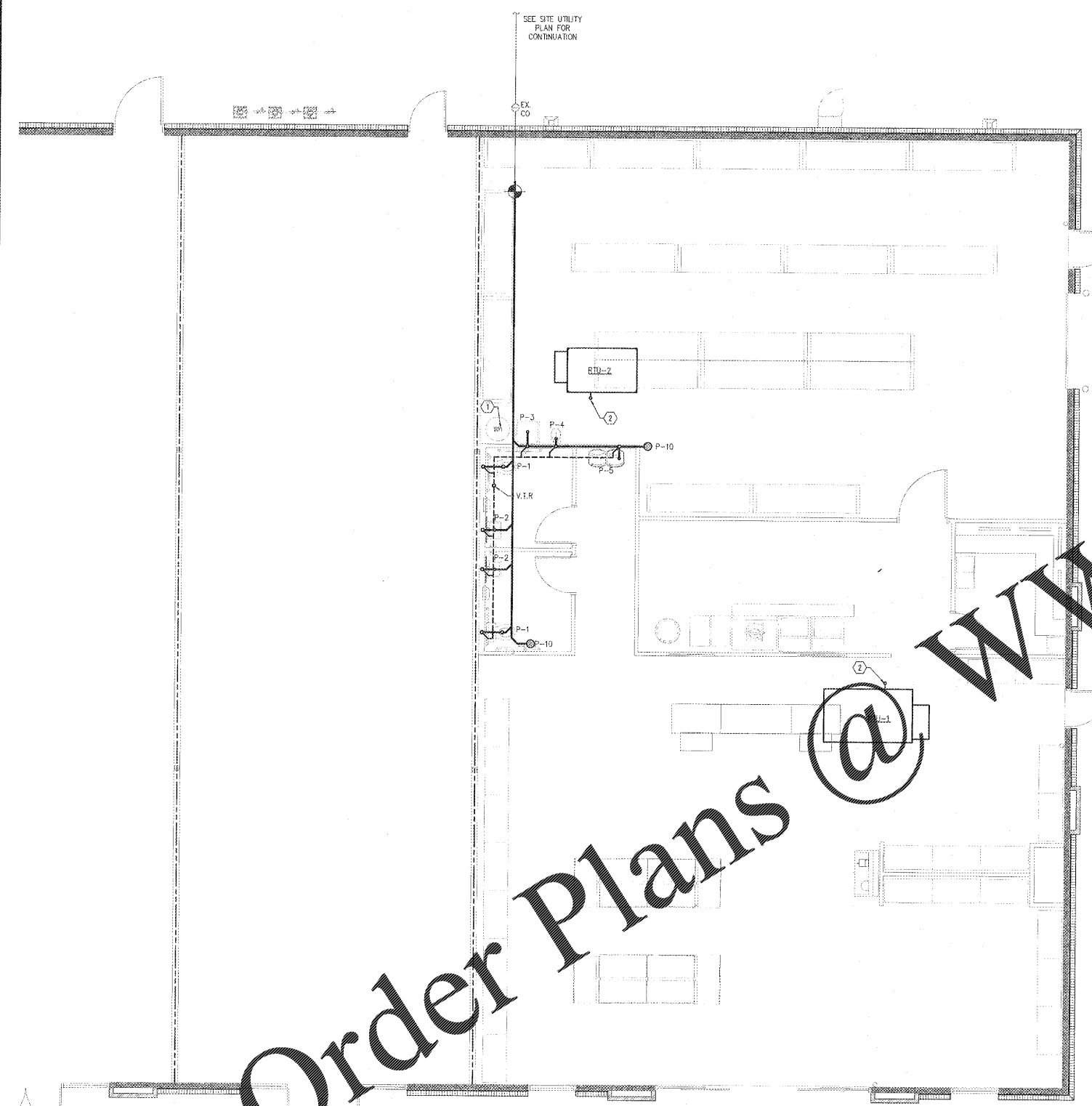
REVISION DATE

PROJECT DATE  
6/24/2019

Drawn By  
JCL

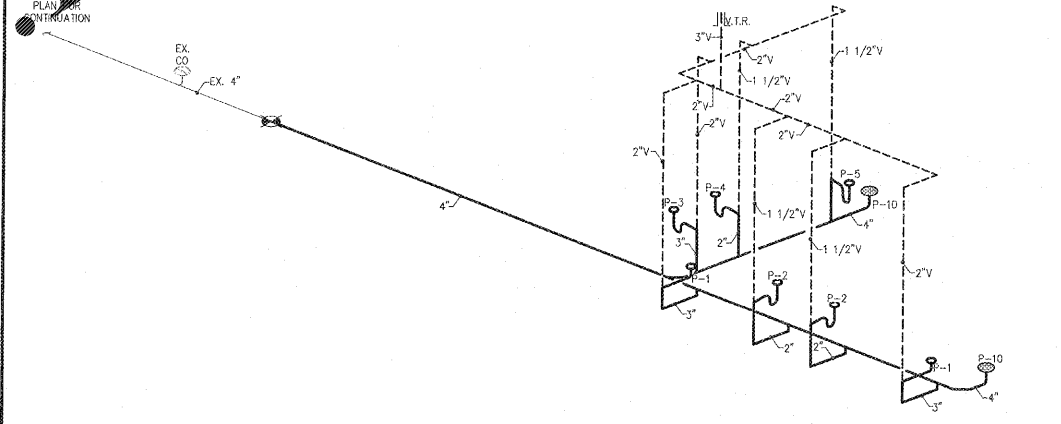
Checked By  
SDS

Sheet No.  
**P111**



**1 PARTIAL PLUMBING WASTE/VENT PLAN**  
SCALE: 3/16" = 1'-0"

SEE SITE UTILITY PLAN FOR CONTINUATION



**2 WASTE/VENT RISER**  
SCALE: N.T.S.

Order Plans @ [www.LDILine.com](http://www.LDILine.com)