

PLUMBING GENERAL NOTES:

- ALL WORK SHALL BE PERFORMED BY A LICENSED CONTRACTOR. CONTRACTOR SHALL INSTALL SYSTEMS, EQUIPMENT, AND COMPONENTS IN ACCORDANCE WITH MINIMUM REQUIREMENTS SHOWN IN THESE PLANS. ANY DEVIATION FROM THE DESIGN PLANS SHALL ONLY BE PERFORMED IF APPROVED BY THE OWNER REPRESENTATIVE OR THE DESIGN ENGINEER. ALL WORK SHALL MEET OR EXCEED THE MINIMUM REQUIREMENTS OF ALL APPLICABLE CODES AND STANDARDS. HOWEVER, ANY DEVIATION FROM THE DESIGN PLANS IMPLIED BY LOCAL CODES THAT SUGGESTS INSTALLATION OF LESS THAN THE REQUIREMENTS SPECIFIED IN THESE DESIGN PLANS SHALL NOT BE ALLOWED WITHOUT APPROVAL BY THE OWNER REPRESENTATIVE OR THE DESIGN ENGINEER.
- P.C. SHALL PROVIDE AND INSTALL ALL PLUMBING FIXTURES (WITH TRIM), SOIL, WASTE, AND VENT PIPING; HOT/COLD WATER PIPING, FIXTURES, INSULATION, AND VALVES; COMPRESSED AIR PIPING; AND ALL OTHER NECESSARY EQUIPMENT TO MAKE SYSTEMS FULLY OPERATIONAL. P.C. SHALL MAKE ALL FINAL CONNECTIONS TO EQUIPMENT REQUIRING PLUMBING SERVICE.
- P.C. SHALL TERMINATE ALL INDIRECT WASTE PER STATE PLUMBING CODE REQUIREMENTS (2" AIR GAP MIN. OR TWICE EFFECTIVE DRAIN DIAMETER WHICHEVER IS LARGER).
- P.C. SHALL COORDINATE ALL ASSOCIATED REQUIREMENTS WITH LOCAL UTILITIES AND CODE OFFICIALS FOR CONNECTIONS TO CITY SANITARY SEWER, CW SUPPLY, AND STORM DRAINAGE SYSTEMS. P.C. SHALL COORDINATE, OBTAIN, AND PAY FOR ALL PERMITS AND FEES THAT ARE REQUIRED. P.C. SHALL COORDINATE AND CONFORM TO ALL REQUIREMENTS TO PREVENT BACKFLOW OR BACK SIPHONAGE, IN ACCORDANCE WITH LOCAL CODES.
- P.C. SHALL MAINTAIN MINIMUM DISTANCE REQUIRED BETWEEN WATER SUPPLY AND DRAIN PIPING AS REQUIRED BY CODE.
- P.C. SHALL TEST DRAIN, VENT, GAS AND WATER SUPPLY PIPING IN ACCORDANCE WITH ALL APPLICABLE CODE REQUIREMENTS.

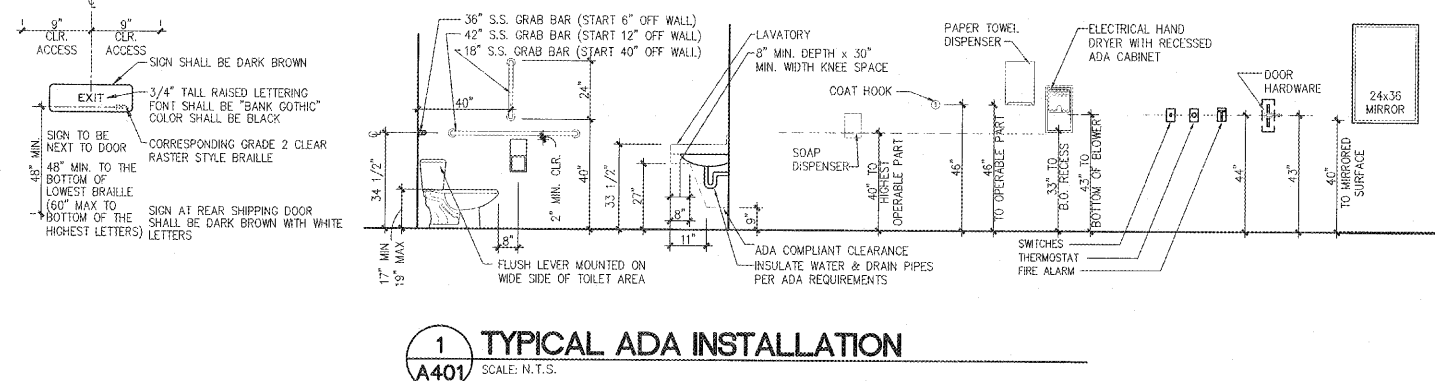
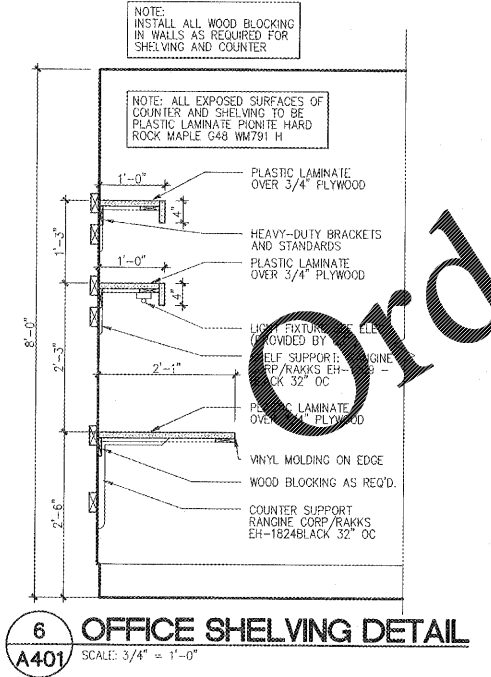
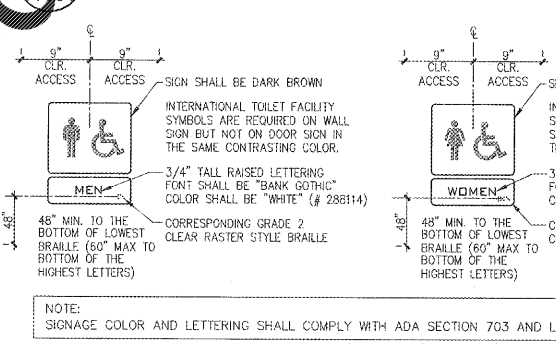
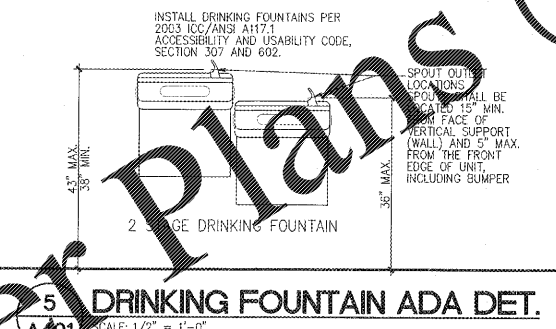
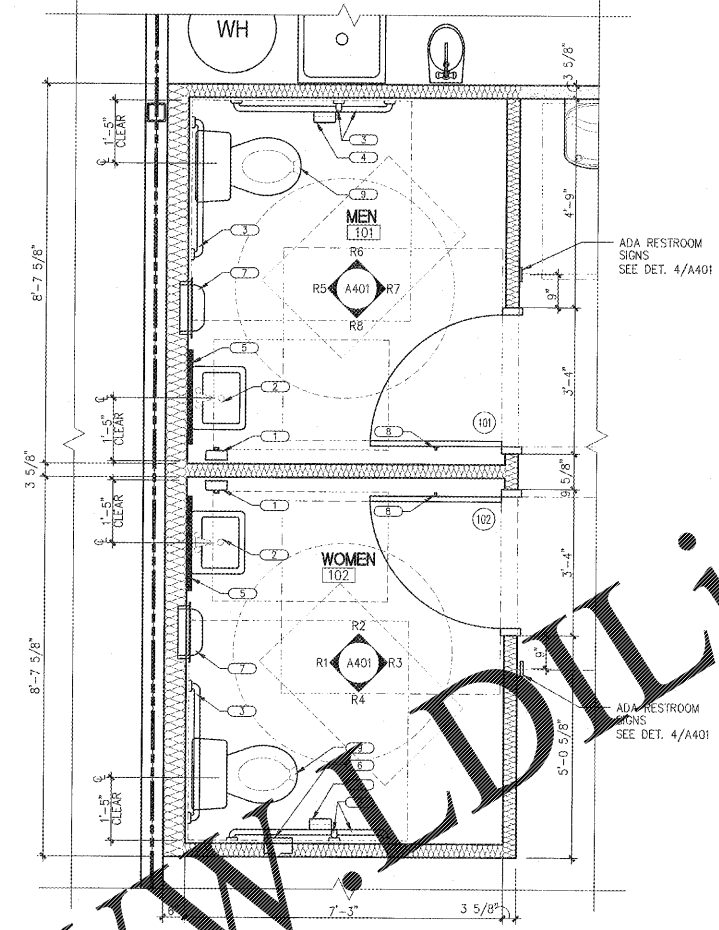
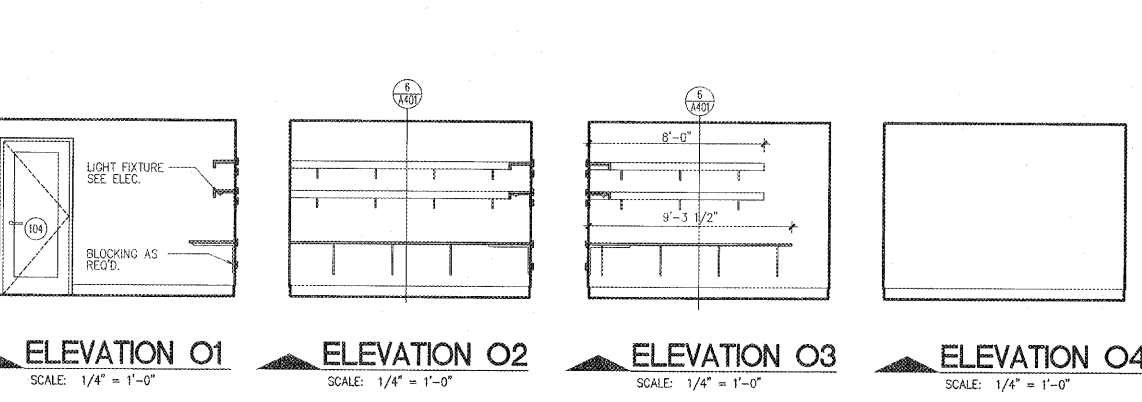
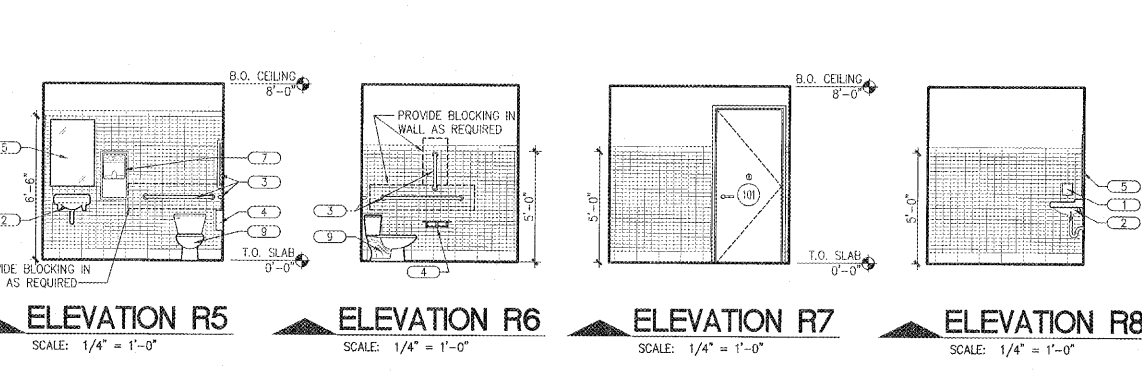
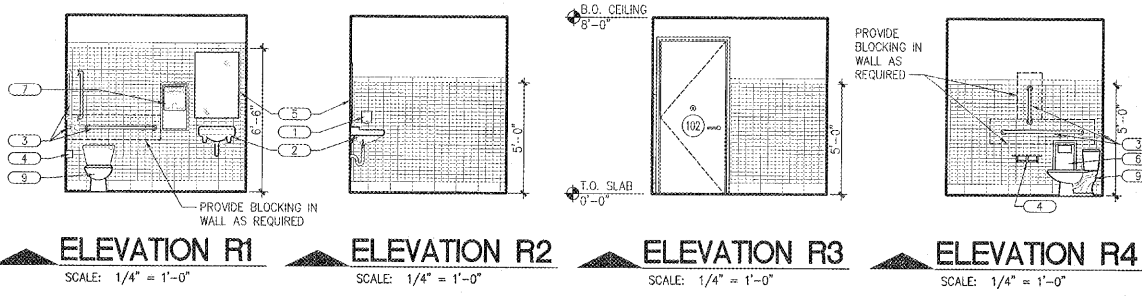
GENERAL ADA PLUMBING NOTES

- WATER CLOSET CONTROLS SHALL BE OPERABLE WITH ONE HAND, AND SHALL NOT REQUIRE TIGHT GRASPING, PINCHING, OR TWISTING OF THE WRIST.
- CONTROLS FOR FLUSHING OF WATER CLOSETS AND URINALS SHALL BE MOUNTED ON THE WIDE SIDE OF TOILETS. NO MORE THAN 1/2" A.F.F.
- THE FORCE REQUIRED TO ACTIVATE CONTROLS SHALL BE NO GREATER THAN 5 POUNDS FORCE.
- IF CLOSURE VALVES ARE USED, THEY SHALL REMAIN OPEN FOR AT LEAST 10 SECONDS.
- WATER CLOSET CONTROLS AND OPERATING MECHANISM SHALL NOT BE OF THE TYPE REQUIRING TIGHT GRASPING, PINCHING, OR TWISTING OF THE WRIST (OPERABLE WITH ONE HAND SUCH AS LEVER-OPERATED) AND AN OPERATING FORCE NOT EXCEEDING 5 POUNDS.
- INSULATE ALL EXPOSED PLUMBING LINES AND DRAINS.

EQUIPMENT SCHEDULE

MARK	ITEM	MANUF. & MODEL	SIZE	REMARKS	PROVIDED BY
1	SOAP DISPENSER	BOBRICK B-212	SEE ELEV.	SURFACE MOUNTED**	GENERAL CONTRACTOR
2	WALL HUNG LAVATORY	SEE PLUMBING DRAWINGS	20"x18"	SEE PLUMBING DRAWINGS	GENERAL CONTRACTOR
3	GRAB BARS	ASI 3200 SERIES	(1) 1-1/2" x 42" (1) 1-1/2" x 36" (1) 1-1/2" x 18"	SURFACE MOUNTED	GENERAL CONTRACTOR
4	TOILET PAPER DISPENSER	BOBRICK B-2840	SEE ELEV.	SURFACE MOUNTED**	GENERAL CONTRACTOR
5	MIRROR	BOBRICK B-165	24" x 36"	SURFACE MOUNTED	GENERAL CONTRACTOR
6	SANITARY NAPKIN DISPENSER	BOBRICK B-353	SEE ELEV.	SURFACE MOUNTED	GENERAL CONTRACTOR
7	AUTOMATIC HAND DRYER	ACCELERATOR XL-W	SEE ELEV.	INCL. RECESS KIT	GENERAL CONTRACTOR
8	COAT HOOK	BOBRICK B-662	SEE ELEV.	SURFACE MOUNTED**	GENERAL CONTRACTOR
9	FLOOR MOUNTED WATER CLOSET	SEE PLUMBING DRAWINGS	SEE PLUMBING DRAWINGS	SEE PLUMBING DRAWINGS	GENERAL CONTRACTOR

**MODEL & MANUFACTURES GIVEN AS GUIDE - CONTRACTOR TO COORDINATE W/ OWNER & PAPER SUPPLIER ON ACTUAL UNITS. GENERAL CONTRACTOR TO INSTALL ALL ITEMS.
 ** WALL MOUNTED ITEM MAY NOT PROJECT GREATER THAN 4" FROM WALL.



Order Plans @ WWW.WADLINE.COM