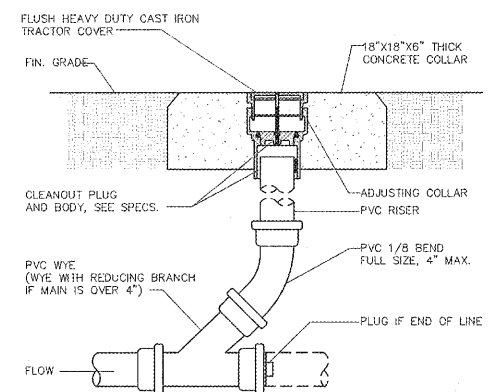
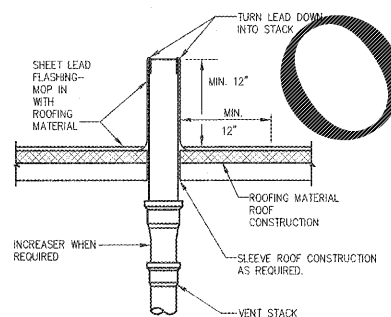


- NOTES:**
- GREASE TRAP SHALL BE ENGINEER DESIGNED BY MANUFACTURER TO RESIST ALL LOADS.
 - IF PRE-FAB SEPTIC TANK IS USED, THEN TANK SHALL BE MODIFIED TO MEET ALL DETAILS & OPENINGS & NOTES.
 - SHOP DRAWINGS SHALL SHOW EXACT DIMENSIONS, WALL THICKNESSES, CONC. STRENGTH, ETC.
 - GREASE TRAP INSIDE DIMENSIONS ARE APPROXIMATE & ANY CHANGES IN LENGTH x WIDTH x DEPTH SHALL BE ADJUSTED IN PROPORTIONS SHOWN.
 - P.C. SHALL SUPPLY GREASE INTERCEPTOR BY "STAY-RIGHT TANK COMPANY, INC." (800) 768-8265 OR EQUAL.

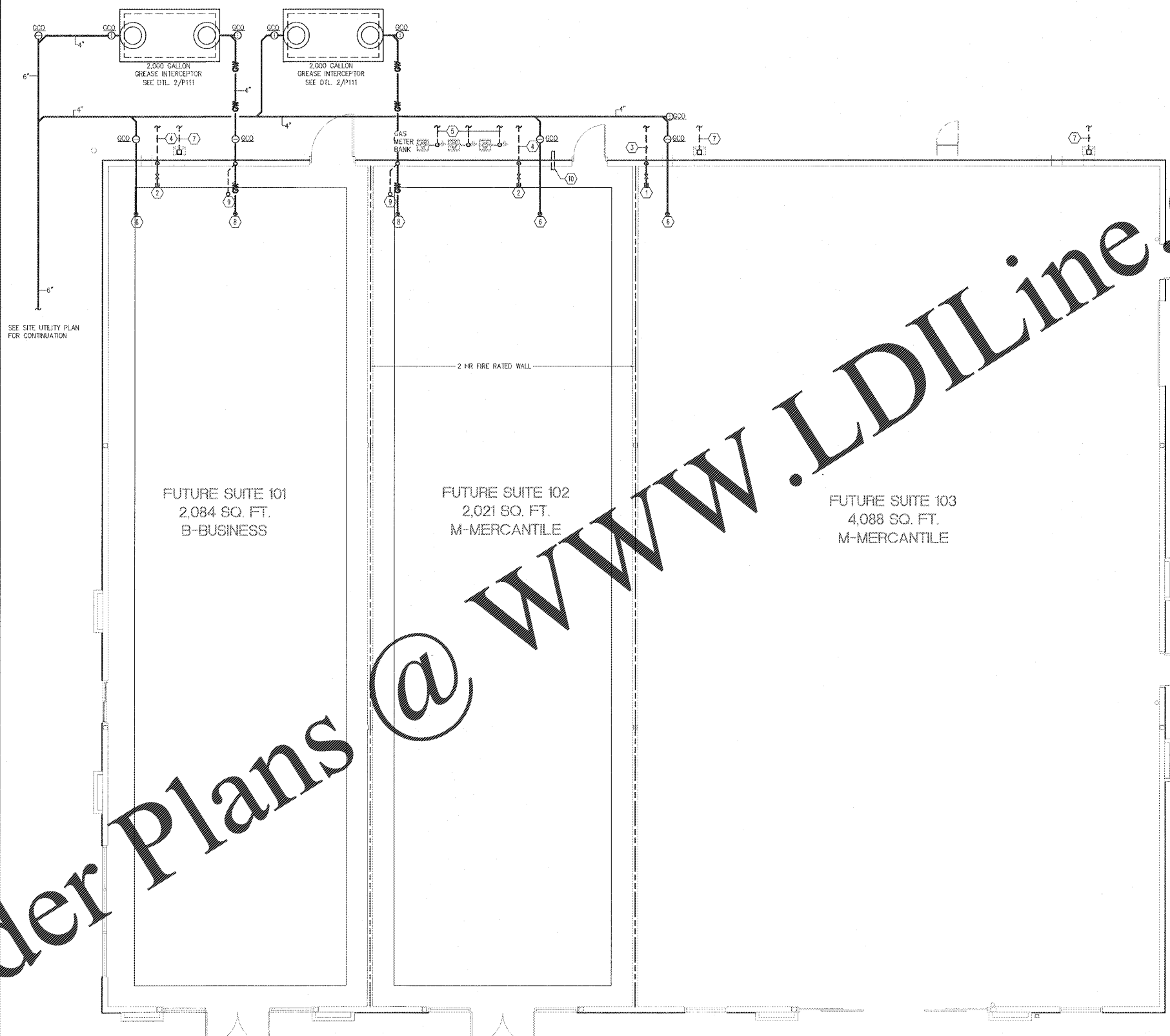
2 2000 GAL. GREASE INTERCEPTOR
P111 SCALE: N.T.S.



3 EXTERIOR CLEANOUT DETAIL
P111 SCALE: NONE



4 PLUMBING PLAN
P111 SCALE: NONE



1 PLUMBING PLAN
P111 SCALE: 3/16" = 1'-0"

GENERAL NOTES

- SEE SHEET P001 FOR ALL GENERAL NOTES.
- P.C. SHALL TEST ALL EQUIPMENT AND PIPING CONNECTIONS FOR LEAKS AS PART OF FINAL COMPLETION OF CONSTRUCTION PROCESS.

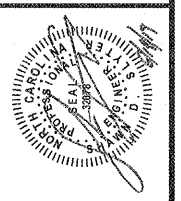
CONSTRUCTION NOTES

- ROUTE NEW 1" CW PIPING TO ABOVE CEILING TO SHUT-OFF VALVE AND CAP FOR FUTURE TENANT.
- ROUTE NEW 1 1/4" CW PIPING TO ABOVE CEILING TO SHUT-OFF VALVE AND CAP FOR FUTURE TENANT.
- 1" DOMESTIC COLD WATER BELOW GRADE. SEE SITE UTILITY PLAN FOR WATER METER AND BACKFLOW PREVENTER LOCATION.
- 1 1/4" DOMESTIC COLD WATER BELOW GRADE. SEE SITE UTILITY PLAN FOR WATER METER AND BACKFLOW PREVENTER LOCATION.
- SHALL CORRELATE WITH LOCAL UTILITY FOR GAS METER SIZED FOR SUITE 103. 2" PS NATURAL GAS. OUTLET PIPE SIZE BASED ON 2" A 20'-0" TOTAL DEVELOPED LENGTH (MIN.) PER TABLE 402.4(2) OF THE IBC.
- ROUTE 4" SANITARY PIPING 6'-0" INSIDE OF SPACE AND CAP 1'-0" A.F.F. FOR FUTURE CONNECTION.
- 4" VERTICAL PIPE TO GRADE CONNECTED TO 4" PIPE HORIZONTALLY FOR CIVIL TR. IN. SEE CIVIL PLANS FOR CONTINUATION.
- ROUTE 4" GREASE WASTE PIPING 6'-0" INSIDE OF SPACE AND CAP 1'-0" A.F.F. FOR FUTURE CONNECTION.
- ROUTE 3" VENT IN WALL AND VENT THROUGH ROOF 2'-0" (MIN.) AWAY FROM PARAPET. SEE DETAIL 4/P111.
- PROVIDE 6" PVC SLEEVE THROUGH FOUNDATION AND CAP FOR FUTURE USE.

LMIH Project No. 19120.00

THIS DRAWING IS THE PROPERTY OF THE ARCHITECT AND NOT TO BE REPRODUCED OR USED WITHOUT HIS WRITTEN PERMISSION.

LMIH Associates
architecture
4008 Carolina Mill Road
Suite 310 - Murfreesboro, NC
Phone: 919.544.9399



LMIH ENGINEER LICENSE
NUMBER - C-1909

PROJECT: **RETAIL SHOPS**
4809 COUNTRY CLUB ROAD
WINSTON SALEM, NC

DRAWING: **PLUMBING SHELL PLAN**

Revisions	
REVISION	DATE

PROJECT DATE
6/19/2019

Drawn By
JCL

Checked By
SDS

Sheet No.
P111

IF ANY DISCREPANCIES ARE FOUND ON THE PLANS, THE PLUMBING CONTRACTOR SHALL BID AND INSTALL THE MORE CONSERVATIVE SPECIFICATION AND CALL ENGINEER FOR CLARIFICATION.

WHILE EVERY ATTEMPT HAS BEEN MADE IN THE PREPARATION OF THIS PLAN TO AVOID MISTAKES, THE DESIGNER AND COMPANY CANNOT GUARANTEE AGAINST ERROR OR UNFORESEEN FIELD CONDITIONS. THE CONTRACTOR OR BUILDER MUST CHECK ALL DIMENSIONS DETAILS AND REPORT ANY DISCREPANCIES.