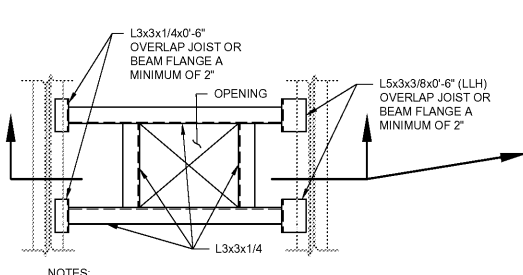


Revisions	
REVISION DATE	

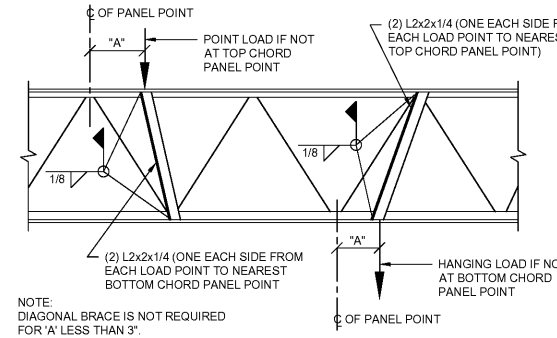
PROJECT DATE: 6/18/2019
 Drawn By: JUN
 Checked By: SH
 Sheet No. **S2.0**



- NOTES:
- SLIDE L5x3 END OF FRAME BETWEEN DECK AND JOIST/BEAM. RAISE L3x3 END AND SLIDE BETWEEN DECK AND ADJACENT JOIST/BEAM SO THAT EACH SIDE OF THE FRAME HAS A MINIMUM OF 2" OVERLAP WITH THE SUPPORTING MEMBER.
 - THE FRAME IS DESIGNED FOR A LOAD OF 400-POUNDS AT EACH FRAME SUPPORT.
 - CONTACT THE ENGINEER IF THE SUPPORTING MEMBER IS LESS THAN 3/16" IN THICKNESS.
 - REF 3/S-2 FOR JOIST REINFORCEMENT

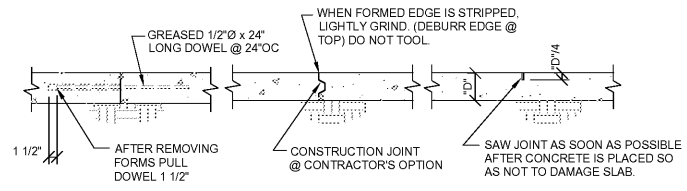
SLIDE-IN ANGLE FRAME SECTION

2 S2.0 NTS



STEEL JOIST REINFORCEMENT FOR CONCENTRATED LOADS

3 S2.0 NTS



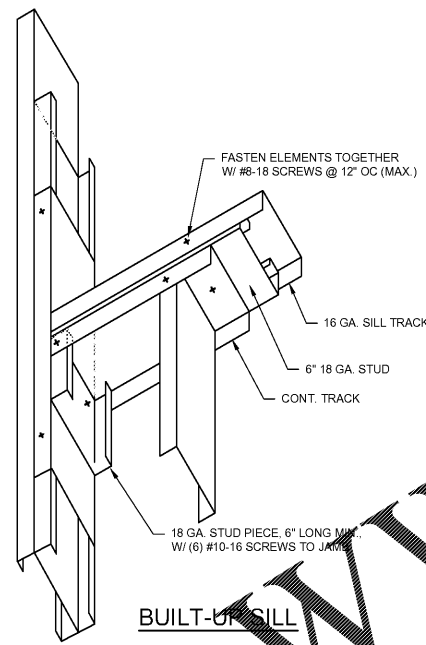
CONTROL/ CONSTRUCTION JOINT DETAIL

4 S2.0 NTS

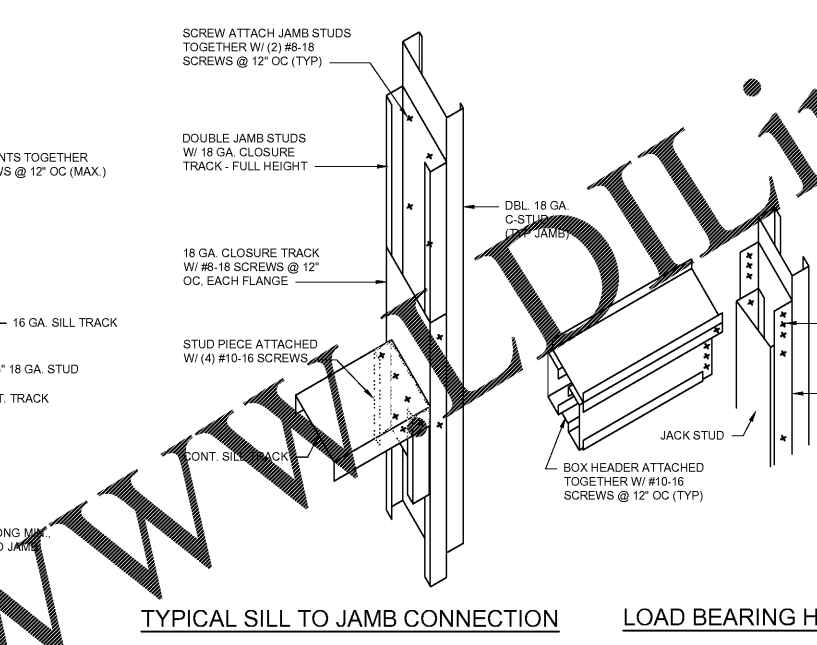
SLIDE-IN ANGLE FRAME DETAIL

1 S2.0 NTS

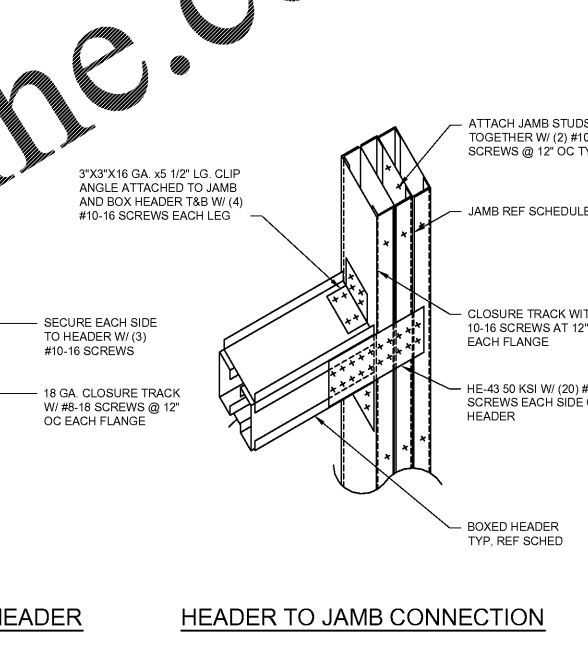
HEADER SCHEDULE			
MARK	HEADER	JAMB	SILL
H1	(2) 600S162-43 STUDS (2) 600T125-43 TRACKS W/ STIFFCLIP HE CONNECTION	(2) 600S162-43 STUDS (2) 600T125-43 TRACKS W/ VERTICLIP SLB EA. SIDE @ TOP & STIFFCLIP AL EA. SIDE @ BOTTOM	600S162-43 STUDS 600T125-43 TRACKS
H2	(3) 1200S162-54 STUDS (2) 600T125-54 TRACKS (1) 600S162-43 HORIZONTAL W/ STIFFCLIP HE CONNECTION	(3) S600S162-43 STUDS (3) 600T125-54 TRACKS W/ VERTICLIP SLB EA. SIDE @ TOP & STIFFCLIP AL EA. SIDE @ BOTTOM	(2) 600S162-43 STUDS (2) 600T125-43 TRACKS



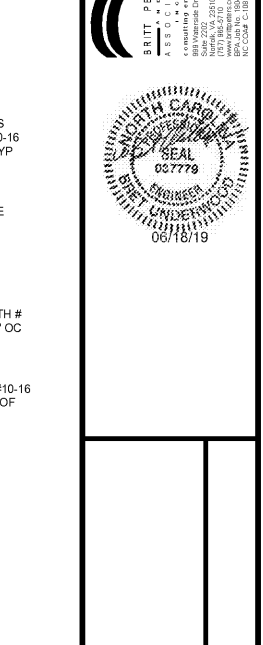
BUILT-UP SILL



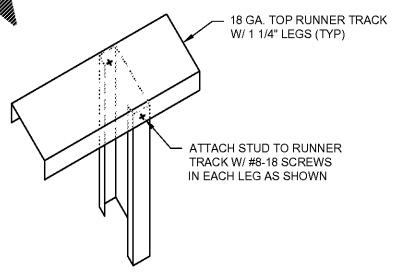
TYPICAL SILL TO JAMB CONNECTION



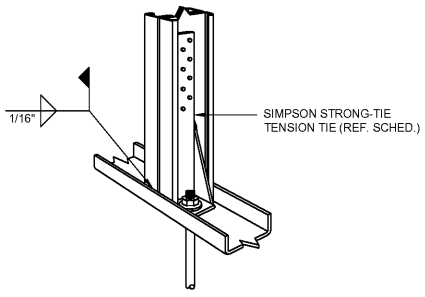
LOAD BEARING HEADER



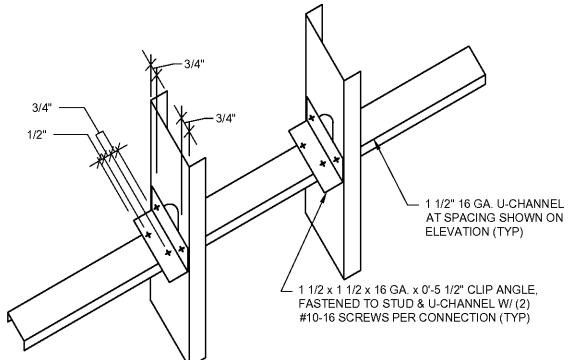
HEADER TO JAMB CONNECTION



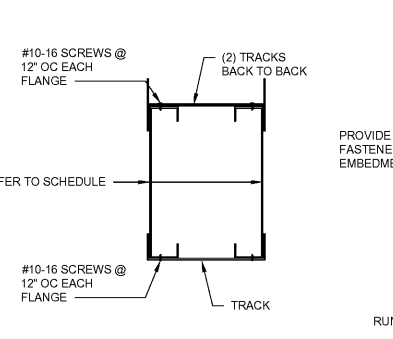
STUD TO TOP TRACK CONNECTION



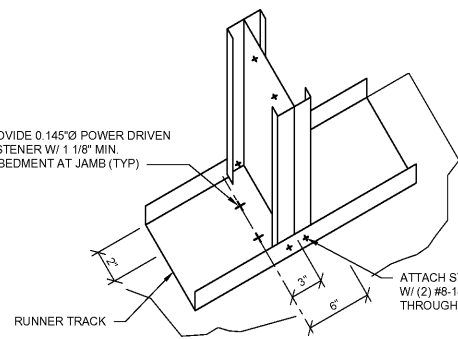
TYPICAL ANCHOR AT BEARING WALL CORNERS



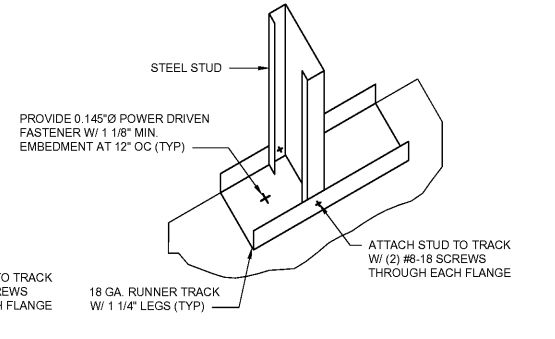
LATERAL BRIDGING



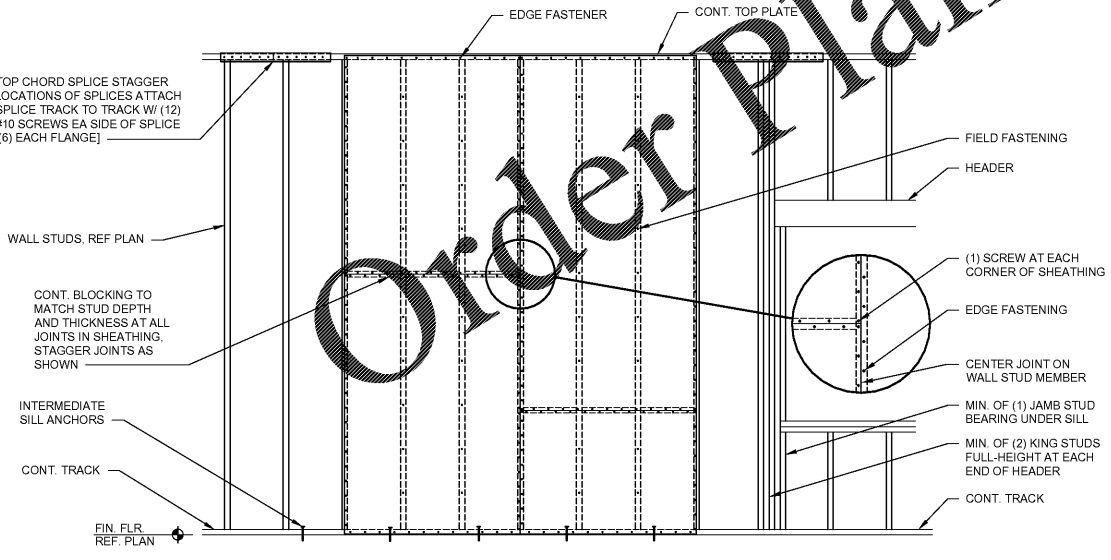
BOXED HEADER



ANCHORAGE AT JAMBS



RUNNER TRACK ANCHORAGE



SHEATHING ATTACHMENT ELEVATION

5 S2.0 N.T.S.

TYP LIGHT GAUGE DETAILS

6 S2.0 N.T.S.