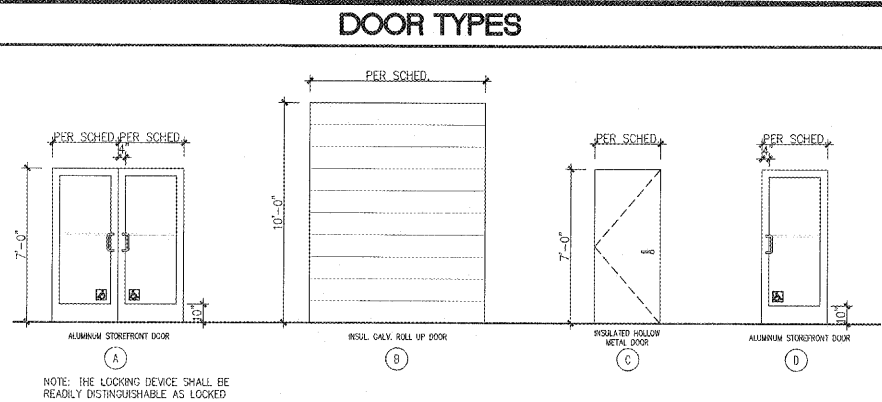
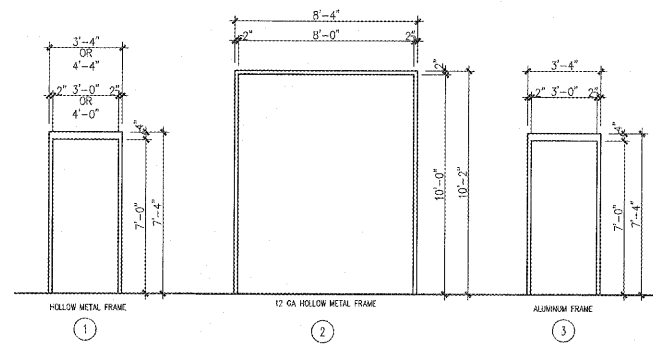


**5 H.M. EXT. JAMB DETAIL**  
A601 SCALE: 3" = 1'-0"

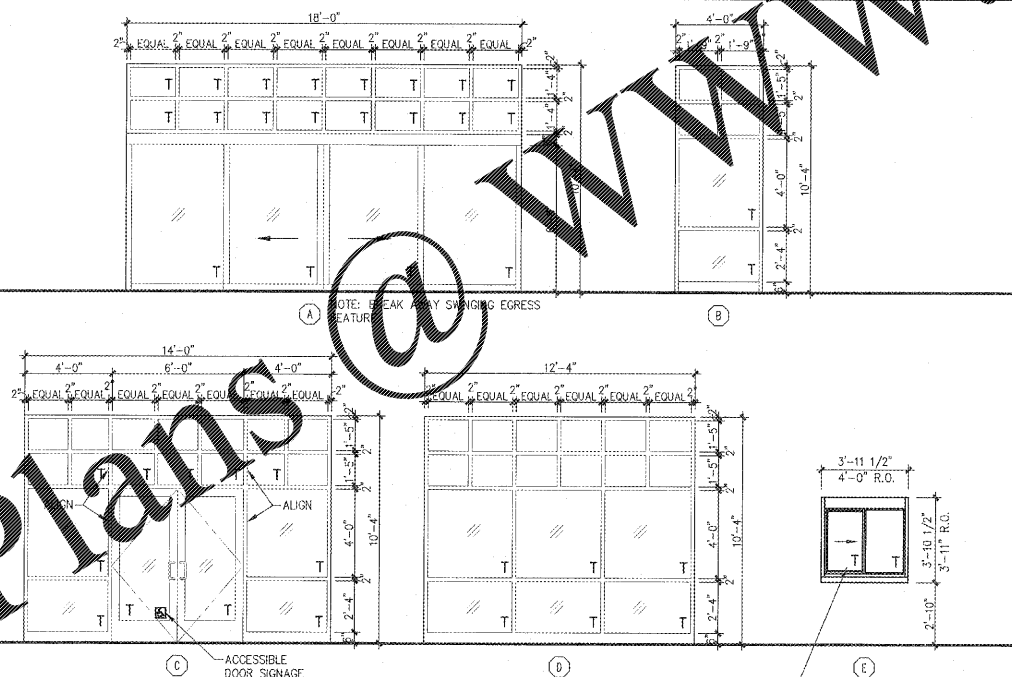


NOTE: THE LOCKING DEVICE SHALL BE READILY DISTINGUISHABLE AS LOCKED

**DOOR FRAMES**



**WINDOW FRAMES** VIEW FROM OUTSIDE



\*SP\* DENOTES TEMPERED BLACK SPANDREL GLASS  
\*T\* DENOTES TEMPERED SAFTEY GLASS

**GENERAL NOTES**

- DOORS SHALL SWING INTO THE FULLY OPEN POSITION WHEN AN OPENING FORCE NOT TO EXCEED 8.5 POUNDS ON EXTERIOR DOORS, 5 POUNDS ON INTERIOR DOORS, AND 15 POUNDS ON FIRE DOORS IS APPLIED TO THE LATCH SIDE.
- ALL DOORS TO BE PROVIDED WITH THE BOTTOM 10" WITH A SMOOTH, UNINTERRUPTED SURFACE THAT ALLOWS DOOR TO BE OPENED BY A WHEELCHAIR FOOTREST WITHOUT CREATING A TRAP OR HAZARDOUS CONDITION.
- CONTRACTOR RESPONSIBLE SUPPLYING, RECEIVING, UNCRATING, INSTALLATION, & CLEAN-UP.
- ALL DIMENSIONS ARE FOR BIDDING PURPOSES ONLY. CONTRACTOR SHALL VERIFY ALL DIMENSIONS PRIOR TO FABRICATION.
- FIELD VERIFY ALL ROUGH IN DIMENSIONS FOR WINDOWS AND DOORS PRIOR TO ORDERING.

NOTE: ALL BREAK METAL ASSOCIATED WITH STOREFRONT SHALL BE PROVIDED BY STOREFRONT/GLAZING CONTRACTOR.

NOTE: STOREFRONT SHALL BE PROVIDED WITH HEAD RECEPTOR AT TOP TO PROVIDE 1/2" OF ALLOWABLE MOVEMENT

**DOOR AND FRAME SCHEDULE**

NUMBER	LOCATION	DOOR			FRAME			DETAILS			HARDWARE SET	REMARKS
		SIZE	TYPE	MATERIAL	FINISH	MATERIAL	TYPE	FINISH	HEAD	JAMB		
101	SUITE 101	(2) 3'-0" x 7'-0"	A	ALUM		ALUM	C			2/A601	1	
101A	SUITE 101	4'-0" x 7'-0"	C	H.M.		HM	1	10/A501	5/A601	1/A601	4	INSULATED HOLLOW METAL DOOR
102	SUITE 102	(2) 3'-0" x 7'-0"	A	ALUM		ALUM	C			2/A601	1	
102A	SUITE 102	3'-0" x 7'-0"	C	H.M.		HM	1	10/A501	5/A601	1/A601	4	INSULATED HOLLOW METAL DOOR
103	SUITE 103	9'-11 1/4" x 7'-0"	-	ALUM		ALUM	A				2	ALUMINUM SLIDING ENTRANCE - FORMAX * STANLEY IS ACCEPTABLE
103A	SUITE 103	3'-0" x 7'-0"	D	ALUM		ALUM	3			2/A601	4	
103B	SUITE 103	8'-0" x 10'-0"	B	STEEL		HM	2	14/A501	5/A502	13/A501	3	OVERHEAD DOOR SERIES 625
103C	SUITE 103	3'-0" x 7'-0"	C	H.M.		HM	1	10/A501	5/A601	1/A601	4	INSULATED HOLLOW METAL DOOR

HM = HOLLOW METAL  
PL = PLASTIC LAMINATE  
S.S. = STAINLESS STEEL  
MFR = MANUFACTURER  
\* = CONFIRM EXIST. HARDWARE SIM TO THAT SPECIFIED. IF NOT, REFERENCE W/NEW

**DOOR SCHEDULE NOTES:**  
1. UNDERCUT DOOR 1"  
2. PROVIDE HEAVY DUTY THRESHOLD, COMPLY WITH ACCESSIBILITY REQUIREMENTS  
3. PROVIDE GLASS TRANSOM ABOVE DOOR  
4. DOOR THRESHOLD SHALL CONFORM TO A156.1 MILL FINISH EXTRUDED ALUMINUM EXCEPT AS OTHERWISE SPECIFIED. DOOR THRESHOLD SHALL BE INSTALLED IN A BED OF SEALANT WITH 1/2" - 20 STAINLESS STEEL MACHINE SCREWS AND EXPANSION SHIELDS.  
5. WEATHERSTRIPS (INCLUDING POST-INSTALLERS) SHALL CONFORM TO ANSI A56.22 AND BE RUBBER VINYL. AIR LEAKAGE SHALL NOT EXCEED 0.50 CFM PER FOOT OF GASKET LENGTH.

**GLAZING NOTES:**  
1. GLAZING SHALL NOT BE REQUIRED TO BE KEYPED ALIKE.  
2. REKEY SHALL CONFORM TO THE SHERWIN-WILLIAMS GRAND MASTER KEY SYSTEM.

**JAMB ANCHORS:**  
INSTALL ANCHORS ON JAMBS NEAR TOP AND BOTTOM OF EACH FRAME, AND AT INTERMEDIATE POINTS NOT OVER 24" INCHES. FORM JAMB ANCHORS OF NOT LESS THAN 18 GAGE THICK STEEL UNLESS OTHERWISE SPECIFIED.

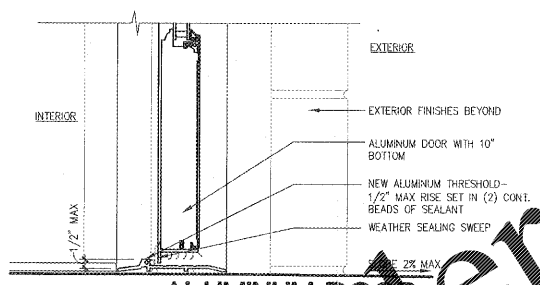
**ANCHORS FOR STUD PARTITIONS:** EITHER WELD TO FRAME OR USE LOCK-IN SNAP-IN TYPE. PROVIDE TABS FOR SECURING ANCHOR TO THE SIDES OF THE STUDS. SECURE ANCHORS TO SIDES OF STUDS WITH TWO FASTENERS THROUGH ANCHOR TABS. USE STEEL DRILL SCREWS TO STEEL STUDS.

**ANCHORS FOR FRAMES SET IN PREPARED OPENINGS:** HAT SHAPED FORMED STRAP SPACERS, 2 INCHES WIDE, WELDED TO JAMB NEAR STOP. DRILL JAMB STOP AND STRAP SPACERS FOR 1/4" INCH FLAT HEAD BOLTS TO PASS THRU FRAME AND SPACERS.

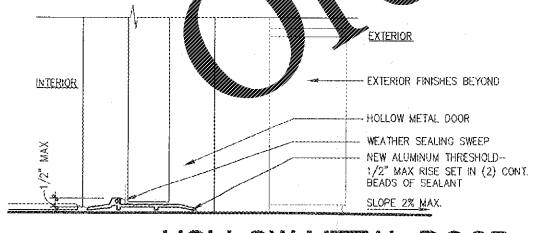
**FRAMES SET IN PREPARED OPENING OF MASONRY OR CONCRETE:** EXPANSION BOLT TO WALL WITH 1/4" INCH EXPANSION BOLTS THROUGH SPACERS. WHERE SUBFRAME OR ROUGH BUICKS ARE USED, 1/4" EXPANSION BOLTS ON 24 INCH CENTERS OR POWER ACTIVATED DRIVE PINS 24 ON CENTERS. SECURE TWO PIECE FRAMES TO SUBFRAME OR ROUGH BUICK WITH MACHINE SCREWS ON BOTH FACES.

**HARDWARE SCHEDULE**

<b>SET 1:</b> STOREFRONT DOOR	LOCKSET: KEYPED W/ READILY DISTINGUISHABLE VIEW OF LOCKED. CLOSER: NORTON 1601BF THRESHOLD: NATIONAL GUARD 896 - 36" PUSH: DOOR MFR. PULL: DOOR MFR. DOOR SWEEP: NATIONAL GUARD 97V - 36"	FINISH: AL FINISH: AL FINISH: AL FINISH: AL FINISH: AL
<b>SET 2:</b> SLIDING DOORS	MORTISE CYLINDER LOCK WITH THUMB LATCH ON INTERIOR LOW PROFILE ADA THRESHOLD MOTION SENSORS	
<b>SET 3:</b> EXTERIOR OVERHEAD	SLIDE BOLTS BOTH SIDES	
<b>SET 4:</b> EXTERIOR	BUTTS EXIT DEVICE PULL PLATE CLOSER SILENCERS WEATHER STRIP DOOR SWEEP	STANLEY FBB179 4 1/2" x 4 1/2" NRP FINISH: 652 YALE MODEL 2100 - SB YALE 217 - SB P NORTON UNI 1605 BC-N G LYNN SOHNSON GJ-64 NATIONAL GUARD 152-36"x84" NATIONAL GUARD 97V-36"

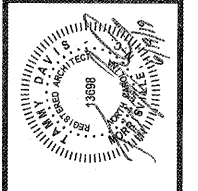


**2 ALUMINUM DOOR THRESHOLD DETAIL**  
A601 SCALE: 3" = 1'-0"



**1 HOLLOW METAL DOOR THRESHOLD DETAIL**  
A601 SCALE: 3" = 1'-0"

UNMT Project No. 19120.00  
THIS DRAWING IS THE PROPERTY OF THE ARCHITECT AND MAY NOT BE REPRODUCED OR USED IN ANY MANNER WITHOUT HIS WRITTEN PERMISSION.  
**UNIVERSITY MICROFILMS INTERNATIONAL**  
3005 Eastington Mill Blvd  
Ann Arbor, MI 48106  
Phone: 973-483-0373



**PROJECT: RETAIL SHOPS**  
4809 COUNTRY CLUB ROAD  
WINSTON SALEM, NC  
**DRAWING: DOOR + WINDOW, HARDWARE SCHEDULE**

**Revisions**

REVISION DATE

PROJECT DATE: 6/19/2019  
Drawn By: MTP  
Checked By: TD  
Sheet No. **A601**