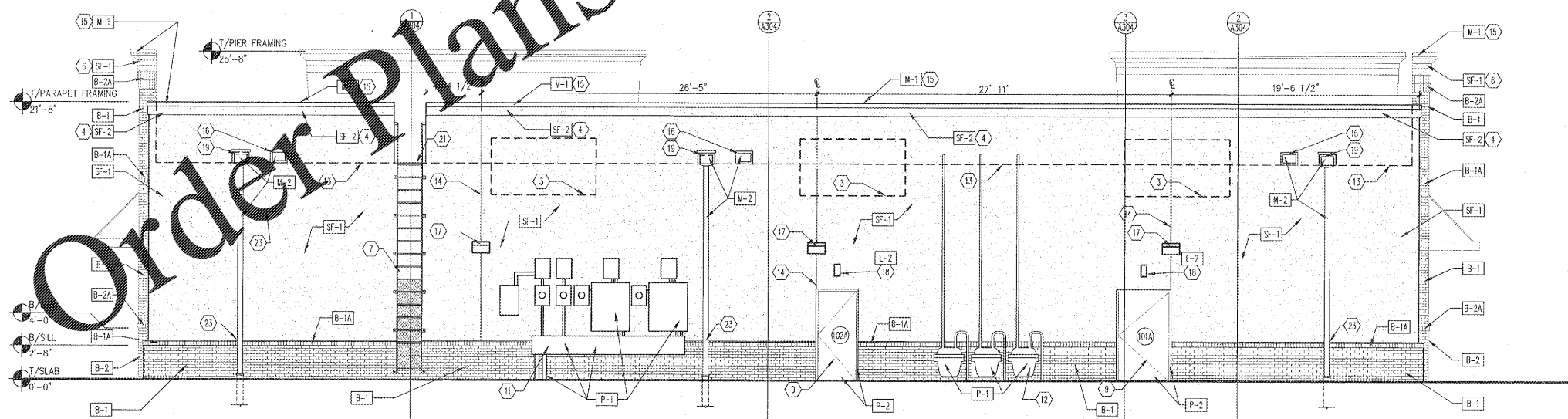


1 RIGHT SIDE ELEVATION
A202 SCALE: 3/16" = 1'-0"



2 REAR ELEVATION
A202 SCALE: 3/16" = 1'-0"

ELEVATION NOTES:

- 1) DECORATIVE EXTERIOR LIGHTS- MOUNT CENTER OF FIXTURE AT 10'-3" A.F.F. - REFER TO ELECTRICAL DWGS.
- 2) STOREFRONT WINDOW SYSTEM SEE DOOR & WINDOW SCHEDULE FOR MORE INFORMATION.
- 3) EXTERIOR WALL SIGNAGE TO BE PROVIDED BY OWNER'S SIGN VENDOR. GC TO COORDINATE WITH SIGN VENDOR AND PROVIDE ELECTRICAL SUPPLY AND BLOCKING AT SIGN LOCATIONS AS REQUIRED. SEE ELEC DWGS FOR J-BOX LOCATION.
- 4) PROJECTED STUCCO AT TOP OF PARAPET- REFER TO WALL SECTIONS & DETAILS FOR MORE INFORMATION.
- 5) EXTERIOR DOOR PER SCHEDULE.
- 6) STUCCO CORNICE REFER TO WALL SECTIONS & DETAILS FOR MORE INFORMATION.
- 7) ROOF ACCESS LADDER REFER TO WALL SECTIONS & DETAILS FOR MORE INFORMATION.
- 8) HANGER ROD CANOPY BY G.C. - PROVIDE BLOCKING AS REQUIRED.
- 9) HOLLOW METAL DOOR & FRAME PAINT [P-2]
- 10) METAL ROLL UP DOOR & FRAME- PREFERRED.
- 11) ELECTRICAL EQUIPMENT. RAISE BRICK WANSLOT AT THIS AREA.
- 12) GAS METER- RE: PLUMBING DWGS- PROVIDE WEATHER SEAL AT PENETRATIONS INTO BUILDING.
- 13) LINE OF ROOF BEYOND.
- 14) "Y" GROOVE JOINT REFER TO DETAIL 16/A501.
- 15) METAL SNAP ON COMPRESSION EDGE.
- 16) METAL OVERFLOW SCUPPER WITH 2" DECORATIVE FLANGE.
- 17) WALL PACK LIGHT FIXTURE MOUNT BOTTOM OF FIXTURE AT 4'-11 1/2" A.F.F.
- 18) EMERGENCY LIGHT FIXTURE MOUNT TOP OF FIXTURE AT 8'-0" A.F.F.
- 19) SCUPPER AND DOWNSPOUT- ROOFING VENDOR TO PROVIDE AND INSTALL SCUPPER AND INTO STORM DRAIN. REFER TO CIVIL DRAWING.
- 20) KNICK BOX SERIES 3200 RECESSED WITH LIFT-OFF DOOR TO BE MOUNTED 4'-0" A.F.F. TO BOTTOM OF MOUNTING BOX. VERIFY REQUIREMENTS WITH LOCAL FIRE MARSHAL.
- 21) FLASHING AT ROOF ACCESS LADDER - COLOR TO MATCH ADJACENT FINISH.
- 22) METAL FRAME FABRIC AWNING BY G.C. - G.C. TO PROVIDE BLOCKING AS REQUIRED.
- 23) TURN DOWNSPOUT AT STUCCO TO BRICK TRANSITION SO THAT DOWNSPOUT IS INSTALLED WITH 1" GAP FROM STUCCO AND BRICK.

GENERAL NOTES:

1. SUBMIT SHOP DRAWINGS TO ARCHITECT FOR APPROVAL.
2. COORD. WITH CIVIL DRAWINGS FOR GENERAL GRADING AND FINAL SURFACE ELEVATIONS.

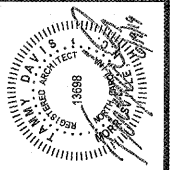
EXTERIOR MATERIAL:

MASONRY	
B-1	TYPE: TRAD. BRICK WITH 3/8" JOINT MANUFACTURER: PALMETTO BRICK COLOR: .75 GREYSTONE GROUT: LIGHT GRAY
B-1A	TYPE: SOLIDER BRICK MANUFACTURER: PALMETTO BRICK COLOR: .75 GREYSTONE GROUT: LIGHT GRAY
B-2	TYPE: TRAD. BRICK WITH 3/8" JOINT MANUFACTURER: PALMETTO BRICK COLOR: IVORYSTONE GROUT: LIGHT GRAY
B-2A	TYPE: ROWLOCK OR SOLIDER BRICK MANUFACTURER: PALMETTO BRICK COLOR: IVORYSTONE GROUT: LIGHT GRAY
STUCCO	
SF-1	TYPE: STUCCO MANUFACTURER: DRYVIT COLOR: TO MATCH SW 6141 SOFTER TAN STUCCO FINISH: SANDED CONTACT: ROBERT DAZEL, AIA 734-276-0404
SF-2	TYPE: STUCCO MANUFACTURER: DRYVIT COLOR: TO MATCH SW 6143 BASKET BEIGE STUCCO FINISH: SANDED CONTACT: ROBERT DAZEL, AIA 734-276-0404
SF-3	TYPE: STUCCO MANUFACTURER: DRYVIT COLOR: TO MATCH SW 6144 DAPPER TAN STUCCO FINISH: SANDED CONTACT: ROBERT DAZEL, AIA 734-276-0404
METAL	
M-1	TYPE: 2-PIECE SNAP-ON COMPRESSION EDGING MANUFACTURER: EXCEPTIONAL METALS COLOR: MEDIUM BRONZE
M-2	TYPE: DOWNSPOUTS/SCUPPERS AND OVERFLOW SCUPPERS MANUFACTURER: EXCEPTIONAL METALS COLOR: MEDIUM BRONZE
LIGHTING	
L-1	EXTERIOR LIGHTING TYPE: UP DOWN LIGHTING WITH BRONZE FINISH
L-2	TYPE: EMERGENCY LIGHT
PAINT	
P-1	TYPE: PAINT MANUFACTURER: SHERWIN WILLIAMS COLOR: SW 6141 SOFTER TAN LOCATION: -
P-2	TYPE: PAINT MANUFACTURER: SHERWIN WILLIAMS COLOR: SW 6143 BASKET BEIGE LOCATION: DOOR AND DOOR FRAMES
P-3	TYPE: PAINT MANUFACTURER: SHERWIN WILLIAMS COLOR: SW 6144 DAPPER TAN LOCATION: -
CANOPY / AWNING	
C-1	TYPE: METAL CANOPY COLOR: MEDIUM BRONZE
STOREFRONT	
S-1	COLOR: MEDIUM BRONZE

LMHT Project No. 19120.00

THIS DRAWING IS THE PROPERTY OF THE ARCHITECT AND WILL NOT BE REPRODUCED OR USED WITHOUT HIS WRITTEN PERMISSION.

LMHT ASSOCIATES
ARCHITECTS
3005 Carverington Mill Blvd.
Winston-Salem, N.C. 27157
Phone: 919.244.0057



PROJECT: RETAIL SHOPS
4809 COUNTRY CLUB ROAD
WINSTON SALEM, NC

DRAWING: EXTERIOR ELEVATIONS

Revisions	
REVISION	DATE

PROJECT DATE: 6/19/2019
Drawn By: MTP
Checked By: TD
Sheet No. **A202**