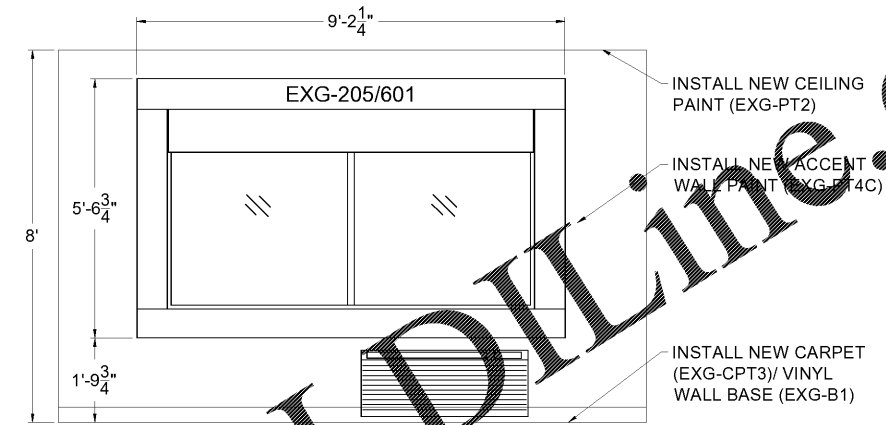
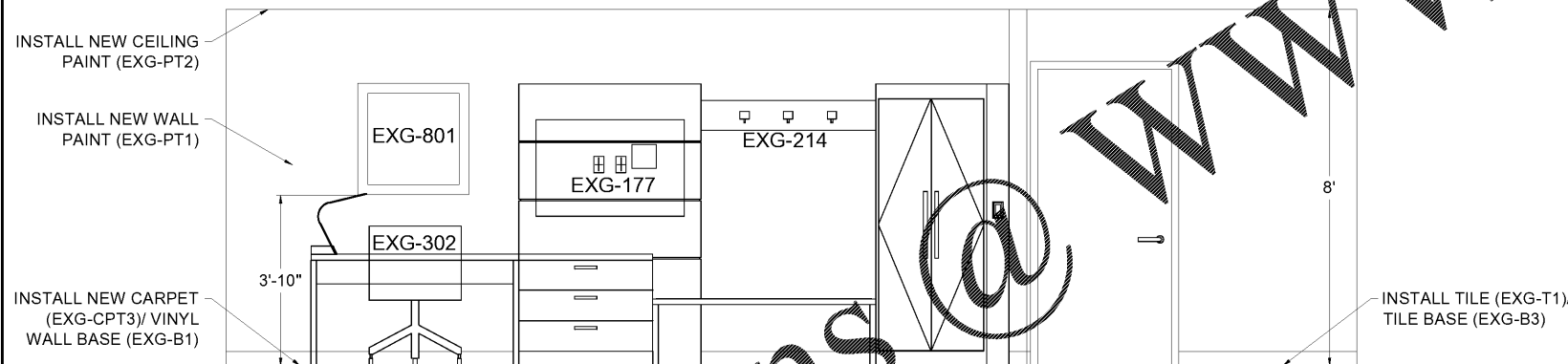


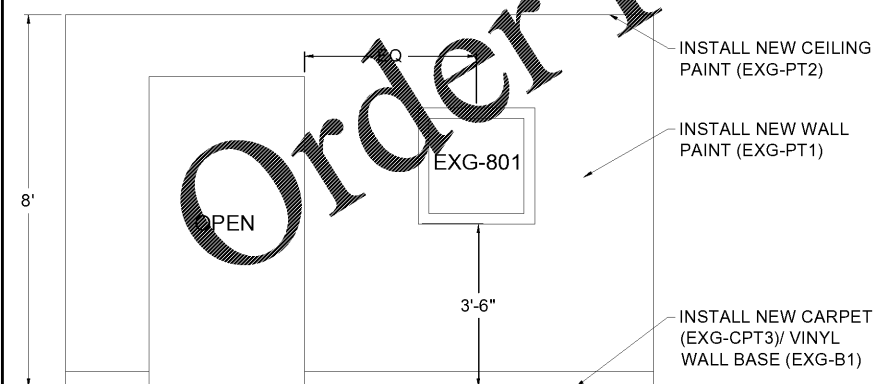
1 TYPICAL Q/Q HB W/ SLEEPER ELEVATION
 3/16" = 1'-0"



2 TYPICAL WINDOW WALL ELEVATION
 3/16" = 1'-0"



3 TYPICAL FUNCTIONAL RACK/ SMARTSHELF ELEVATION
 3/16" = 1'-0"



4 TYPICAL SIDE WALL ELEVATION
 3/16" = 1'-0"

DRAWING TITLE
 GUEST ROOM PLANS

PROJECT
 HOLIDAY INN EXPRESS
 WILSON NC

SCALE
 AS NOTED

DATE
 05-07-19

DWN BY
 JLM

CHECKED BY
 DND

REVISED

GENERAL NOTES

GENERAL CONTRACTOR

PURCHASING COMPANY

DRAWING NO

ID.11.2