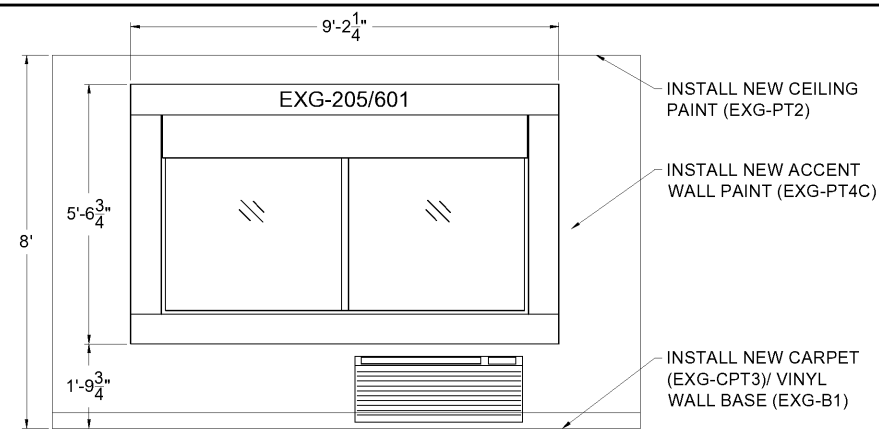
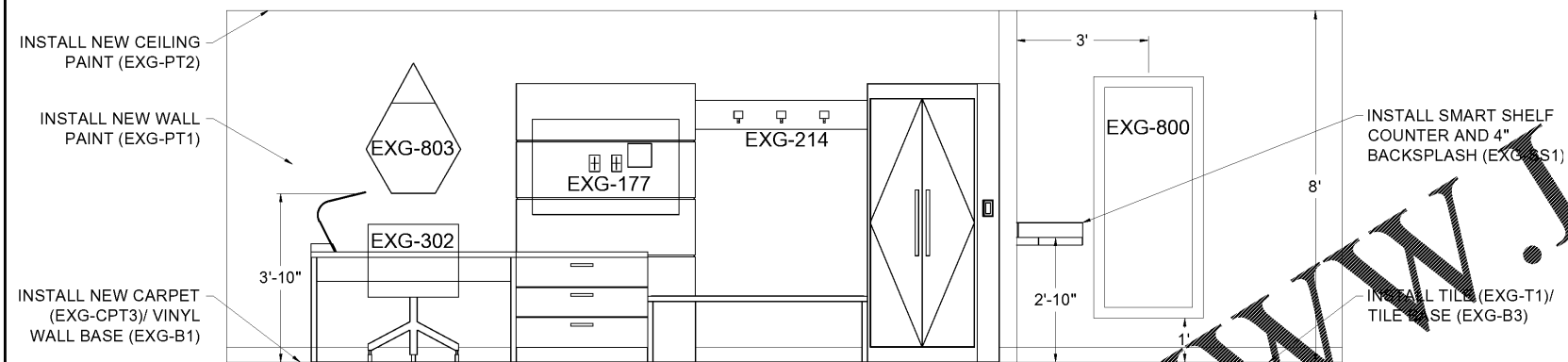


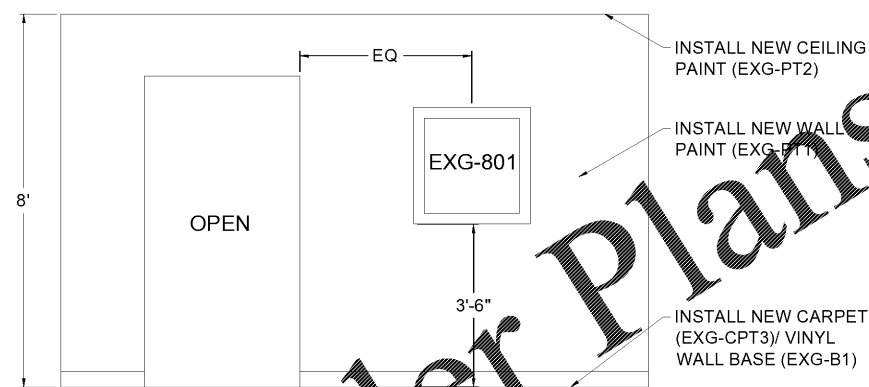
1 TYPICAL Q/Q HB W/ LOUNGE ELEVATION  
 3/16" = 1'-0"



2 TYPICAL WINDOW WALL ELEVATION  
 3/16" = 1'-0"



3 TYPICAL FUNCTIONAL RACK/ SMART SHELF ELEVATION  
 3/16" = 1'-0"



4 TYPICAL SIDE WALL ELEVATION  
 3/16" = 1'-0"

DRAWING TITLE  
 GUEST ROOM PLANS

PROJECT  
 HOLIDAY INN EXPRESS  
 WILSON NC  
 SCALE  
 \*AS NOTED\*

DATE  
 05-07-19

DWN BY  
 JLM

CHECKED BY  
 DND

REVISED

GENERAL NOTES

GENERAL CONTRACTOR

PURCHASING COMPANY

DRAWING NO

ID.09.2