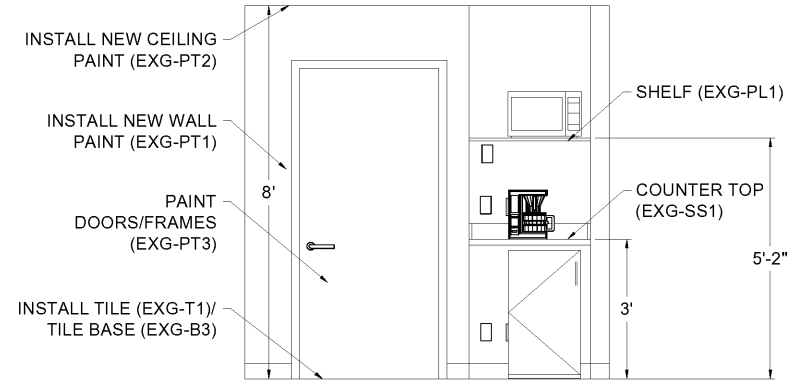
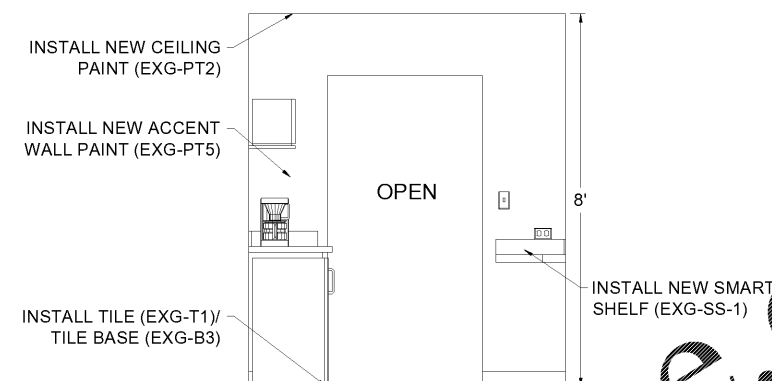


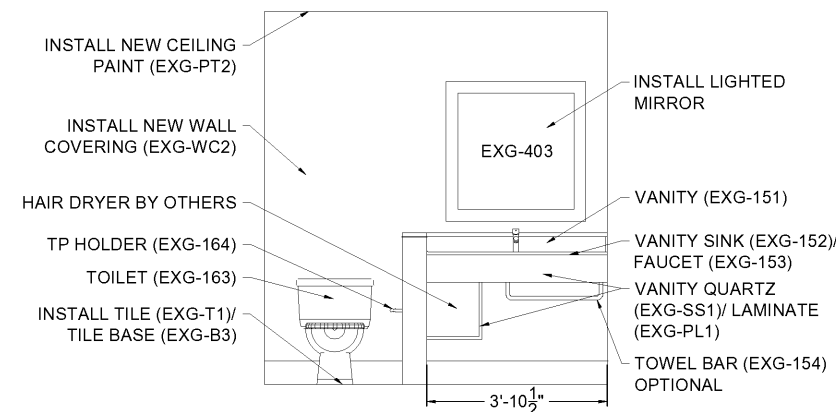
1 TYPICAL ENTRY ELEVATION
 3/16" = 1'-0"



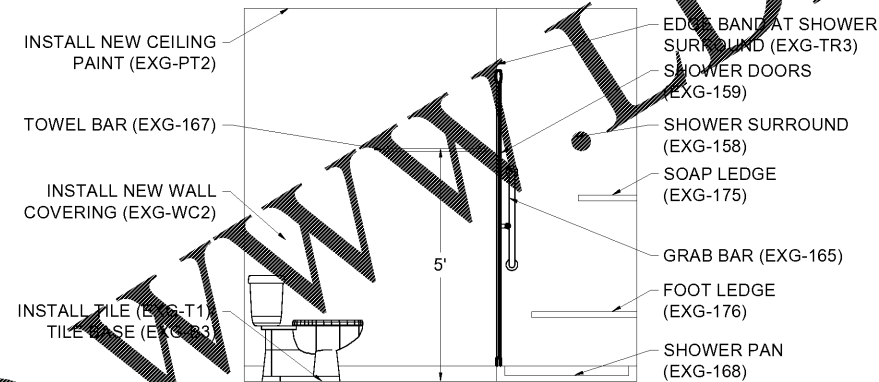
2 TYPICAL DRYBAR ELEVATION
 3/16" = 1'-0"



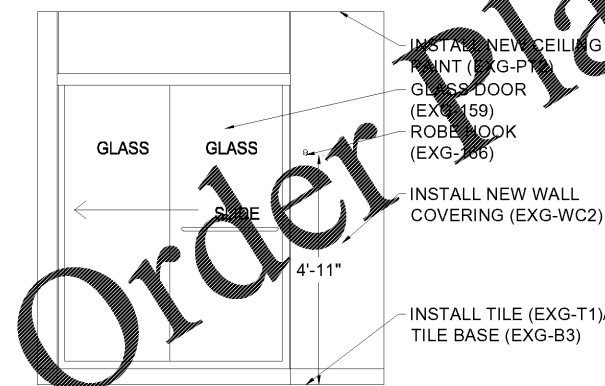
3 TYPICAL DRYBAR SIDE ELEVATION
 3/16" = 1'-0"



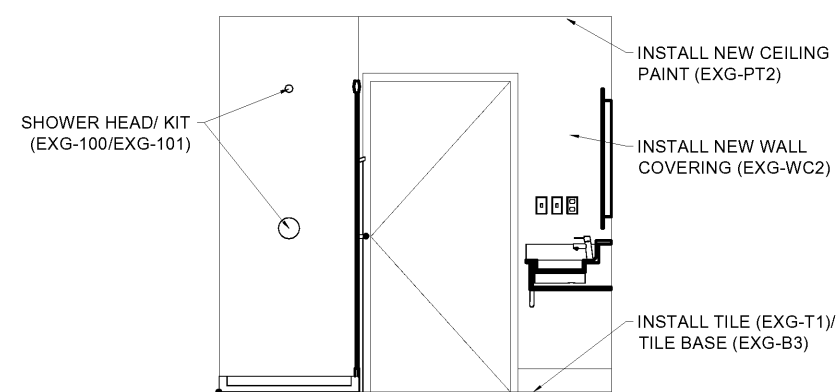
4 TYPICAL VANITY ELEVATION
 3/16" = 1'-0"



5 TYPICAL SHOWER SIDE ELEVATION
 3/16" = 1'-0"



6 TYPICAL SHOWER DOOR ELEVATION
 3/16" = 1'-0"



7 TYPICAL VANITY/ SHOWER SIDE ELEVATION
 3/16" = 1'-0"

DRAWING TITLE
 GUEST ROOM PLANS

PROJECT
 HOLIDAY INN EXPRESS
 WILSON, NC

SCALE
 AS NOTED

DATE
 05-07-19

DWN BY
 JLM

CHECKED BY
 DND

REVISED

GENERAL NOTES

GENERAL CONTRACTOR

PURCHASING COMPANY

DRAWING NO

ID.07.3