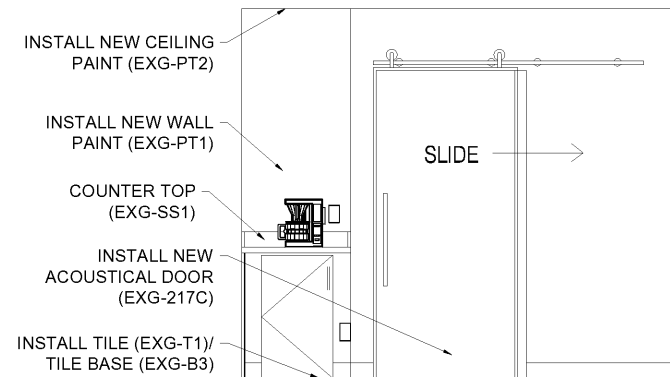
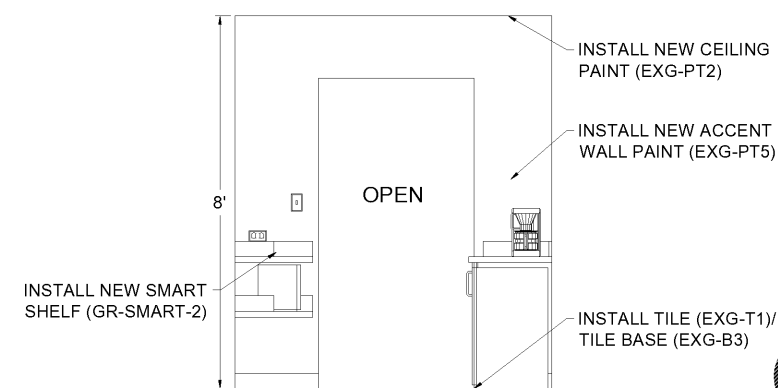


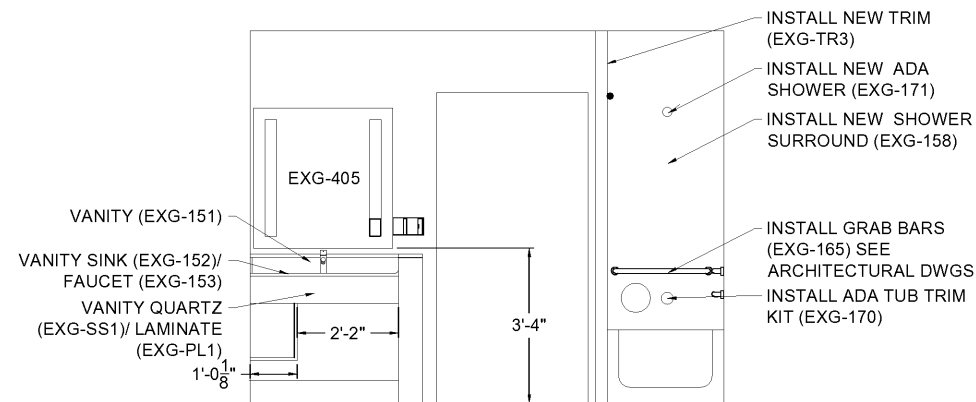
1 TYPICAL ENTRY ELEVATION  
3/16" = 1'-0"



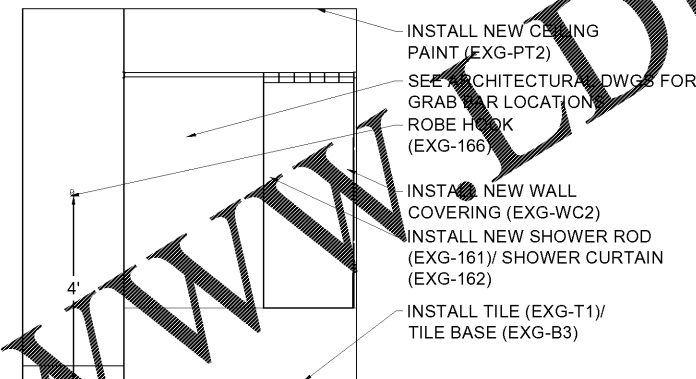
2 TYPICAL ADA DRYBAR ELEVATION  
3/16" = 1'-0"



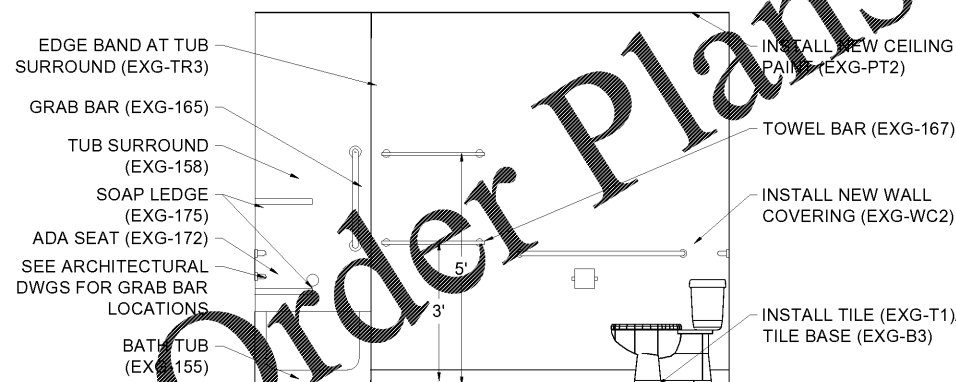
3 TYPICAL ADA DRYBAR SIDE ELEVATION  
3/16" = 1'-0"



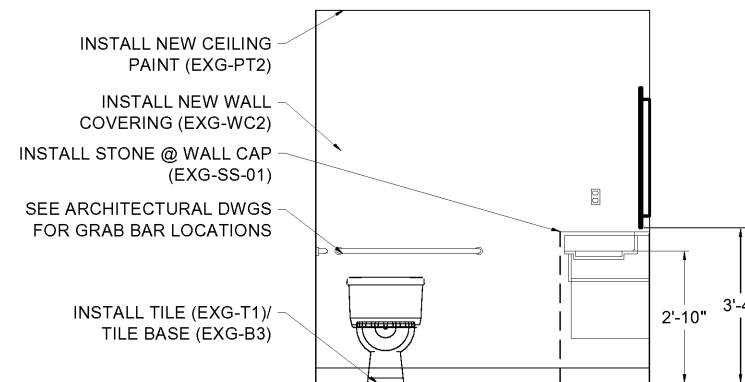
4 TYPICAL ADA VANITY/ TUB SIDE ELEVATION  
3/16" = 1'-0"



5 TYPICAL ADA TUB WALL ELEVATION  
3/16" = 1'-0"



6 TYPICAL ADA TUB SIDE WALL ELEVATION  
3/16" = 1'-0"



7 TYPICAL ADA TOILET WALL ELEVATION  
3/16" = 1'-0"

DRAWING TITLE  
GUEST ROOM PLANS

PROJECT  
HOLIDAY INN EXPRESS  
WILSON NC

SCALE  
\*AS NOTED\*

DATE  
05-07-19

DWN BY  
JLM

CHECKED BY  
DND

REVISID

GENERAL NOTES

GENERAL CONTRACTOR

PURCHASING COMPANY

DRAWING NO

ID.05.3