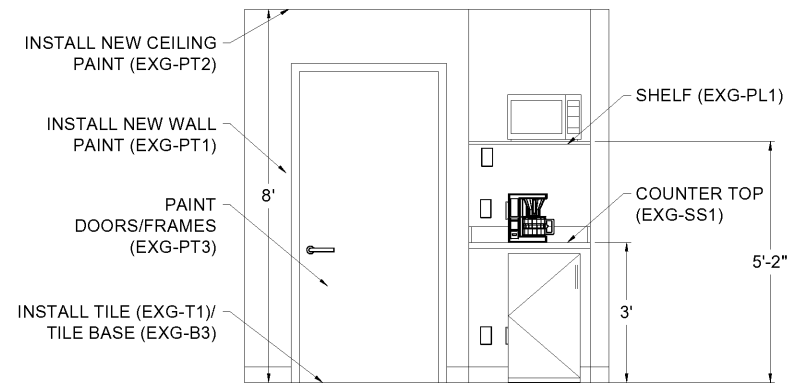
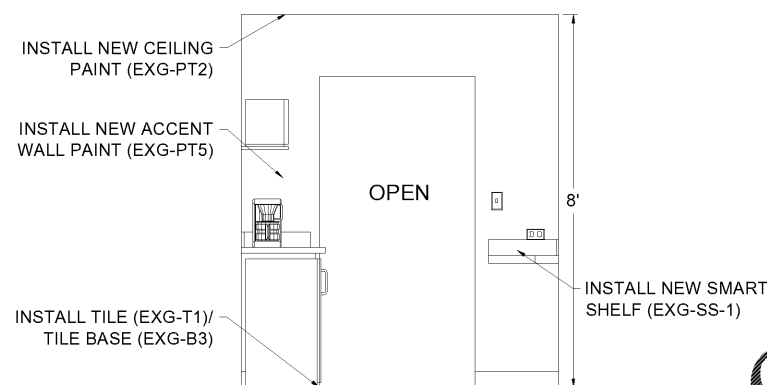


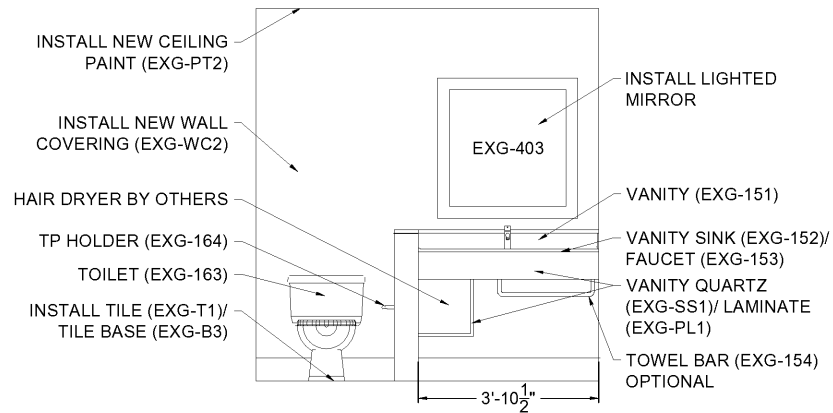
1 TYPICAL ENTRY ELEVATION  
 3/16" = 1'-0"



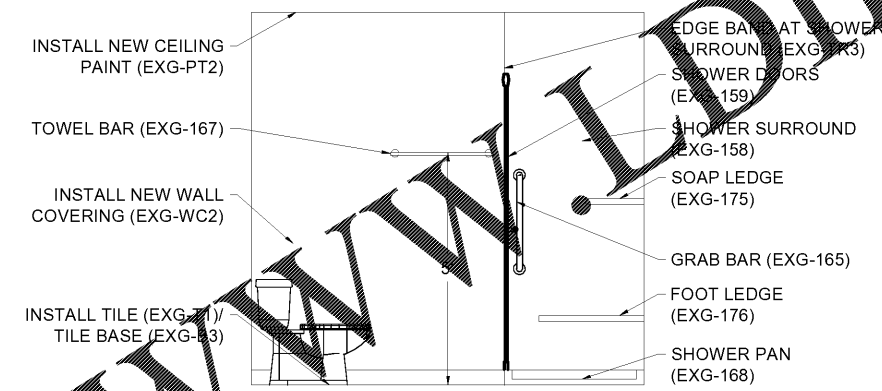
2 TYPICAL DRYBAR ELEVATION  
 3/16" = 1'-0"



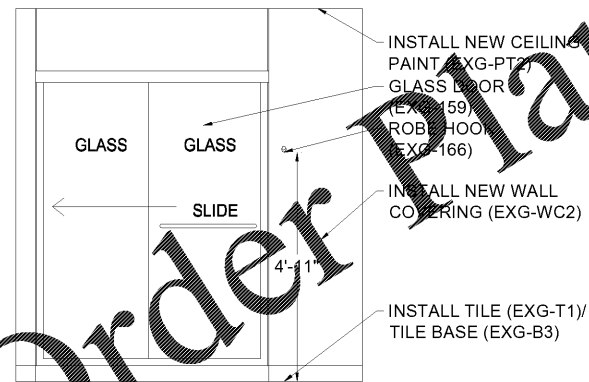
3 TYPICAL DRYBAR SIDE ELEVATION  
 3/16" = 1'-0"



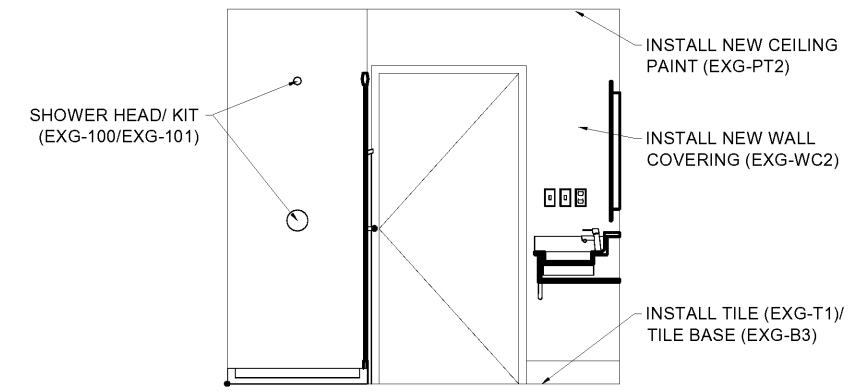
4 TYPICAL VANITY ELEVATION  
 3/16" = 1'-0"



5 TYPICAL SHOWER SIDE ELEVATION  
 3/16" = 1'-0"



6 TYPICAL SHOWER DOOR ELEVATION  
 3/16" = 1'-0"



7 TYPICAL VANITY/ SHOWER SIDE ELEVATION  
 3/16" = 1'-0"

DRAWING TITLE  
 GUEST ROOM PLANS

PROJECT  
 HOLIDAY INN EXPRESS  
 WILSON, NC

SCALE  
 \*AS NOTED\*

DATE  
 05-07-19

DWN BY  
 JLM

CHECKED BY  
 DND

REVISED

GENERAL NOTES

GENERAL CONTRACTOR

PURCHASING COMPANY

DRAWING NO

ID.04.3